

BIMETALLIC STEAM TRAPS AND AIR ELIMINATORS BSS 20

DESCRIPTION

BSS20 all stainless steel bimetallic steam traps and air eliminators are simple and robust traps, specially suited for instrument tracing, line tracing applications and where condensate sensible heat can be recover. It is specially recommended as air eliminator.

The use of condensate sensible heat reduces the steam consumption.

Connections are female screwed.

MAIN FEATURES

Modulating discharge.

Discharges condensate below steam temperature.

Excellent air discharge.

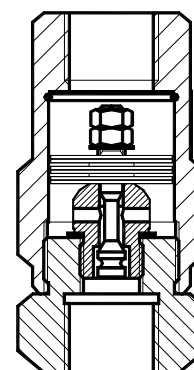
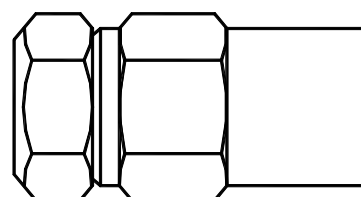
Operates on superheated steam.

Unaffected by water hammer and vibrations.

Built-in strainer.



- OPTIONS:** EN1092-1 or ANSI flanged connections.
- USE:** Saturated and superheated steam.
- AVAILABLE MODELS:** BSS 20
- SIZES:** DN 1/2"
- CONNECTIONS:** Female screwed ISO 7/1 Rp (BS21)
ANSI B1.20.1 (NPT)
- INSTALLATION:** Horizontal or vertical installation.
See IMI installation and maintenance instructions.



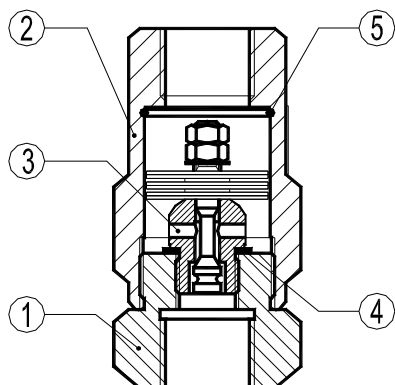
BODY LIMITING CONDITIONS	
THREADED PN 40	RELATED TEMP.
ALLOW. PRES.	
34,4 bar	100 °C
30,8 bar	150 °C
28 bar	200 °C
26 bar	250 °C

PMO - Max. operating pressure 20 bar

TMO - Max. operating temperature 250 °C

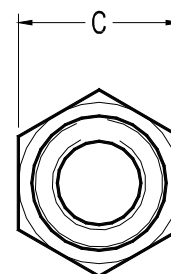
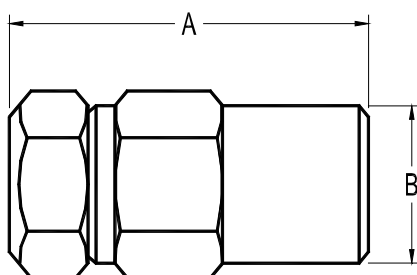
FLOW RATE CAPACITY IN Kgs/h															
MODEL	SIZE	DN	DIFFERENTIAL PRESSURE (bar)												
			0,6	1	2	3	4	5	6	7	8	10	13	15	20
BSS20	15 A		45	65	100	130	155	170	195	205	220	245	255	270	330
BSS20	15 B		150	230	350	440	490	540	630	650	680	730	820	980	1120

A = Condensate discharge at 10°C below saturation temperature. **B** = Cold water capacity at about 20°C.



MATERIALS		
POS.N r.	DESIGNATION	MATERIAL
1	Body	AISI 304 / 1.4301
2	Cover	AISI 304 / 1.4301
3	* Valve assy.	Special stainless st.
4	* Gasket	AISI 304 / 1.4301
5	* Strainer screen	AISI 304 / 1.4301)

* Available spare parts



DIMENSIONS (mm)-Screwed				
SIZE DN	A	B	C	WGT. Kgs
1/2"	80	35	36	0,42