

### 3-WAY WITH VERTICAL DOUBLE L-PORT

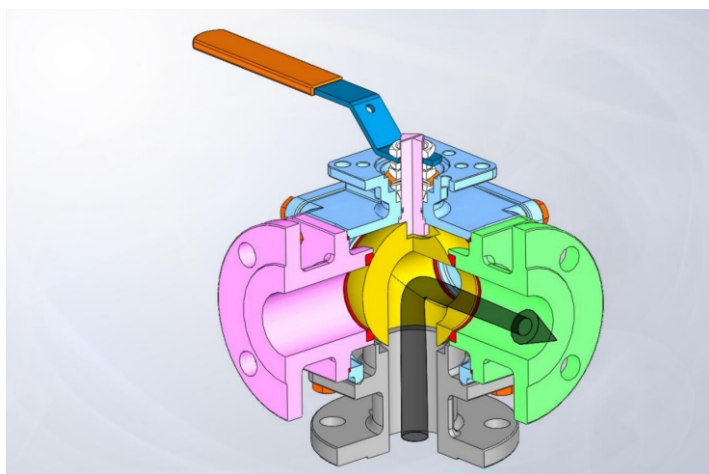


#### DESCRIPTION

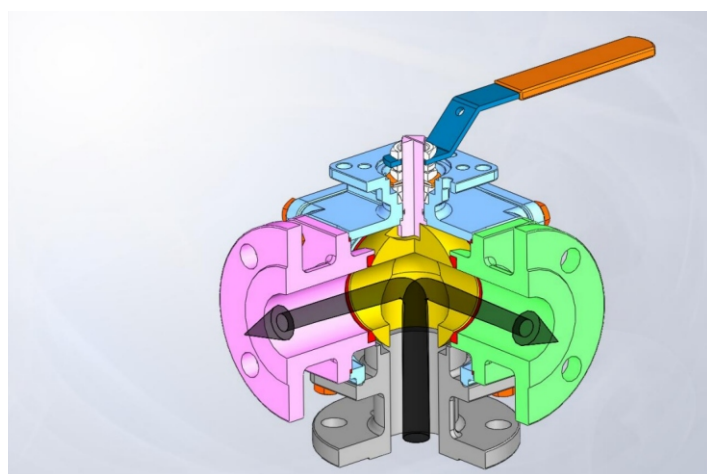
- \* 501F, 3-way flanged ball valve
- \* Bottom entry diverter function
- \* Blow-out proof stem design
- \* 100% air tested under water at 80-100 psi
- \* Working pressure: 800 PSI
- \* Temperature range -60°F to 430°F
- \* End type: flange/ T-Clamp/ thread/ SW/ BW

#### OPTION

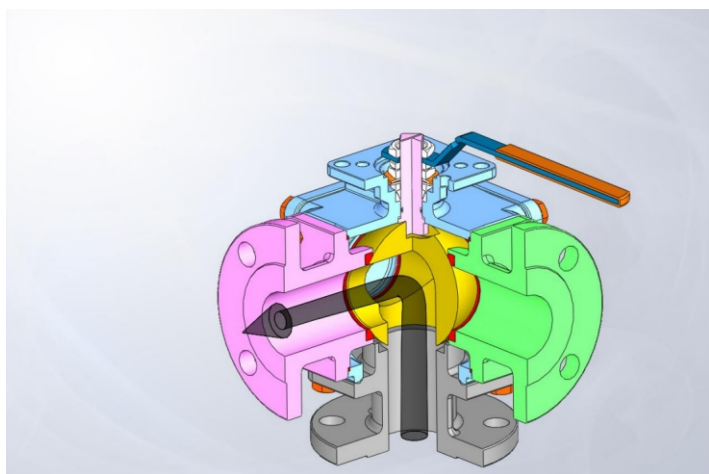
- \* CF8M/ WCB/ Special Alloy
- \* Cavity filler
- \* Flanged end/ Threaded end/ SW end/ BW end
- \* PFA Coating
- \* Automation



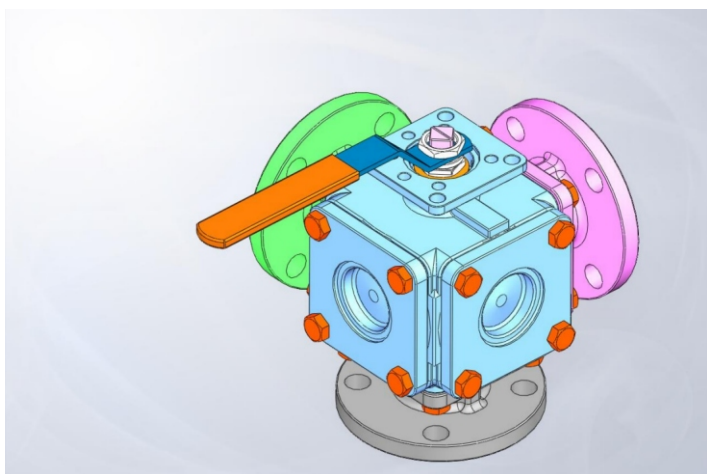
**A Position: 0°**



**B Position: 90°**

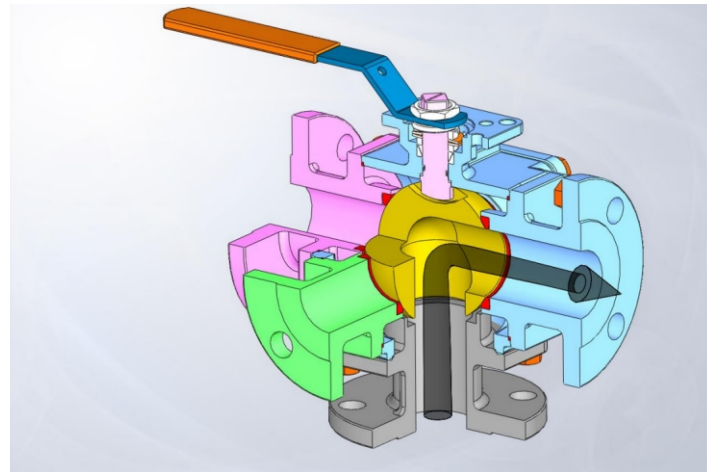
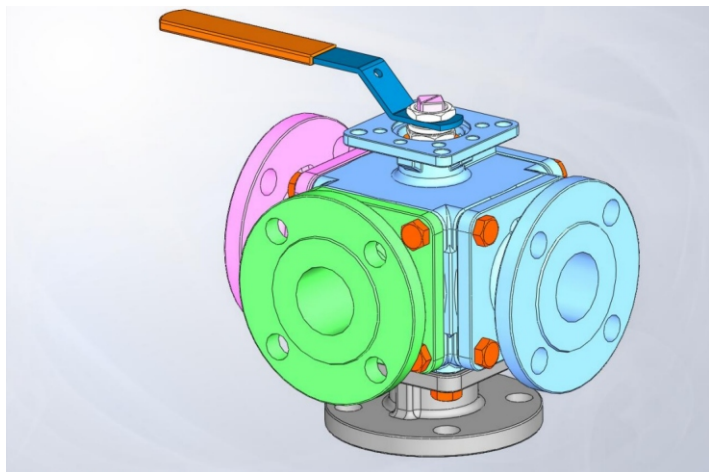


**C Position: 180°**

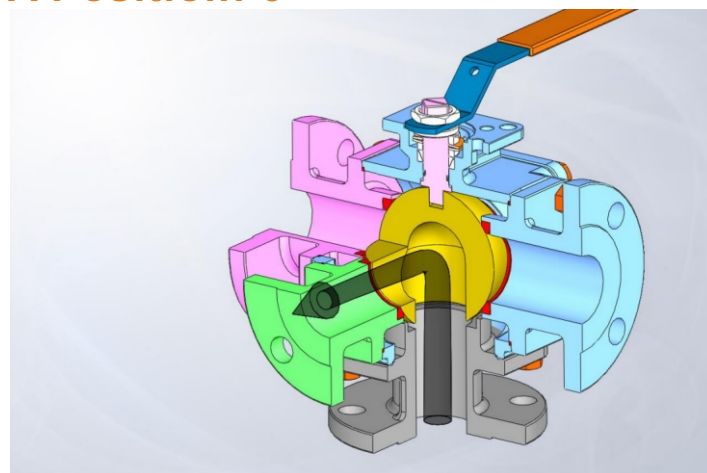


**ASSEMBLY DRAWING**

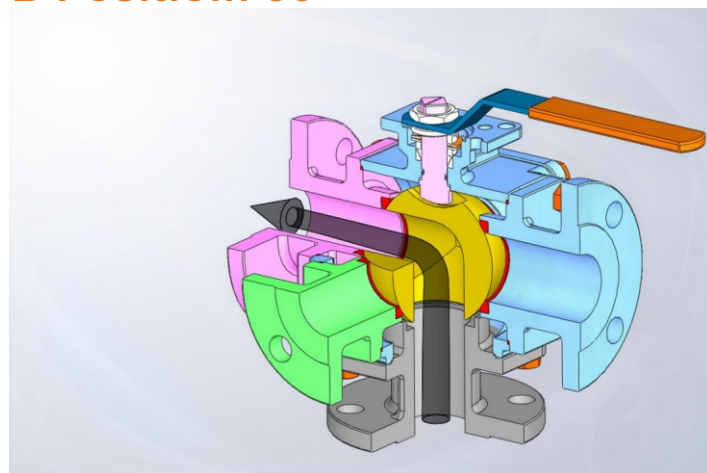
### 4-WAY WITH VERTICAL L-PORT



A Position: 0°



B Position: 90°



C Position: 180°

### ASSEMBLY DRAWING

- \* 501F, 4-way flanged ball valve
- \* Bottom entry diverter function
- \* Blow-out proof stem design
- \* 100% air tested under water at 80-100 psi
- \* Working pressure: 800 PSI
- \* Temperature range -60°F to 430°F
- \* End type: flange/ T-Clamp/ thread/ SW/ BW

### OPTION

- \* CF8M/ WCB/ Special Alloy
- \* Cavity filler
- \* Flanged end/ Threaded end/ SW end/ BW end
- \* PFA Coating
- \* Automation