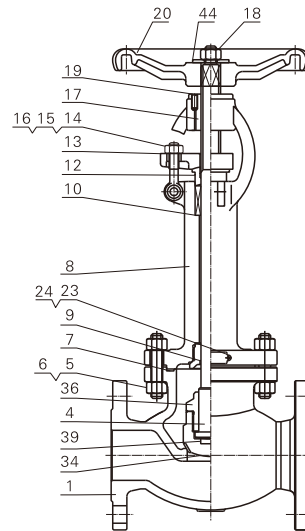


Cryogenic Globe Valve



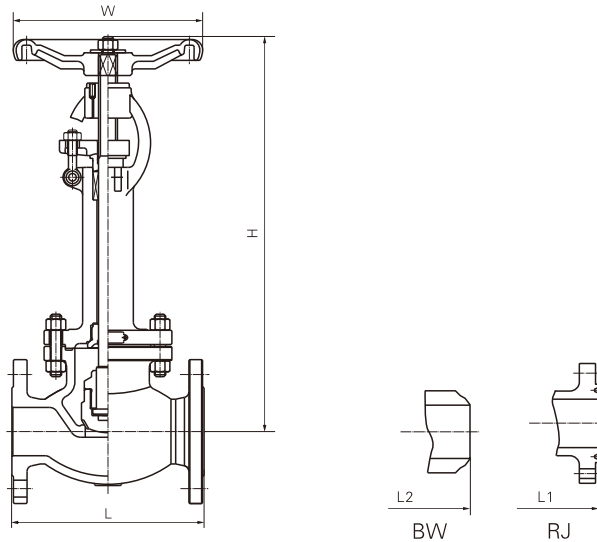
DJ41Y Type



Main parts material sheet

Item	Part name	LC3	CF8	CF3	CF3M	CE3MN
1	Body	A352 LC3	A351 CF8	A351 CF3	A351 CF3M	CE3MN
4	Stem	A182 F304	A182 F304	A182 F304L	A182 F316L	A182 F53
5	Bolt	A193 B7	A193 B8	A193 B8	A193 B8M	A193 B8M
6	Nut	A194 2H	A194 8	A194 8	A194 8M	A194 8M
7	Bonnet	304+柔性石墨	304+柔性石墨	304+柔性石墨	316+柔性石墨	316+柔性石墨
8	Packing	A352 LC3	A351 CF8	A351 CF3	A351 CF3M	CE3MN
9	Distance ring	A182 F304	A182 F304	A182 F304L	A182 F316L	A182 FF53
10	Packing gland	304+柔性石墨	304+柔性石墨	304+柔性石墨	316+柔性石墨	316+柔性石墨
12	Packing plate	A182 F304	A182 F304	A182 F304L	A182 F316L	A182 F53
13	Eye bolt	A216 WCB	A351 CF8	A351 CF8	A351 CF8	A351 CF8
14	Nut	A193 B7	A193 B8	A193 B8	A193 B8M	A193 B8M
15	Pin	A194 2H	A194 8	A194 8	A194 8M	A194 8M
16	Stem nut	420	304	304	304	304
17	Locking nut	A439 type D2	A439 type D2	A439 type D2	A439 type D2	A439 type D2
18	Locking screw	1035	1035	1035	1035	1035
19	Hand wheel	1035	1035	1035	1035	1035
20	Nameplate	Ducerle L10m	Ducerle L10m	Ducerle L10m	Ducerle L10m	Ducerle L10m
23	Rivet	304	304	304	304	304
24	Pressure seal seat	AL	AL	AL	AL	AL
34	Disc	F304	F304	F304L	F316L	F53
36	Disc cover	F304	F304	F304L	F316L	F53
39	Gasket	304	304	304	316	F53
44	Washer	1035	1035	1035	1035	1035

Cryogenic Globe Valve



CL150

Spec (NAP)	in	2	2 1/2	3	4	5	6	8	10	12	14	16
Face to face(mm)	L	203	216	241	292	356	406	495	622	698	787	914
	L1	216	229	254	305	369	419	508	635	711	800	927
	L2	203	216	241	292	356	406	495	622	698	787	914
Center height(mm)	H	520	540	575	640	675	757	927	1028	1060	1200	1305
Hand wheel diameter (mm)	W	220	250	280	320	320	400	450	560	560	-	-

CL300

Spec (NAP)	in	2	2 1/2	3	4	5	6	8	10	12	14	16
Face to face(mm)	L	267	292	318	356	400	445	559	622	711	838	863
	L1	283	308	334	372	416	461	575	638	727		
	L2	267	292	318	356	400	445	559	622	711		
Center height(mm)	H	530	560	595	660	705	770	950	1060	1105		
Hand wheel diameter (mm)	W	220	350	280	320	400	450	500	560	600		

CL600

Spec (NAP)	in	2	2 1/2	3	4	5	6	8	10	12	14	16
Face to face(mm)	L	292	330	356	432	508	559	660	787	838		
	L1	295	333	359	435	511	562	663	790	841		
	L2	292	330	356	432	508	559	660	787	838		
Center height(mm)	H	560	600	625	690	730	805	995	1100	1195		
Hand wheel diameter (mm)	W	285	280	320	400	500	560	600	650	760		