

Hastelloy C/ Monel/ Alloy 20/ Super Duplex/ Duplex
SIZE: 1/4"-6"



ZIPSON STEEL INDUSTRIES offer not only the common material such as CF8M, WCB, CF8, CF3M in ASME standard, or 1.4408, 1.4308, 1.0619 in DIN standard, or SCS14, SCS13, SCS16 in JIS standard. But also the special alloy ball valve for your particular application. Zipson offer the special steel material both in valve field and other investment casting parts according to your drawings & requirements.

IN VALVE FIELD

Most of the valve suppliers around the world did not offer the special alloy valves for the less quantity for casting and the less usage for stock. Zipson offer the alloy valves with reasonable quantity, This will help our customers to solve their anxious problem right away. In order to offer the best service, even these valves are exclusive, the prices we offer are still very rational.

The special alloy ball valve we offered most are 2-pc flanged ball valve, 3-pc ball valve in 2000 psi (Class 800), Top-entry ball valve the material are Hastelloy C, Monel, Alloy 20, A182-F51 (2205 Duplex), A890 Gr. 6A, AISI 317 both in valve field and casting parts.

Alloy valve use a lot in mining market & desalination facility for sea water.

TEST

Customers may require some test for the special material. Zipson will help to held the test in third party with required certificate to make sure all the alloys are totally with the standard. The test may have the followings,

- 1) Corrossion Testing (ASTM G48) in 72 hours (or 24 hours as required) with 4*4cm to 10*10cm test plate.
- 2) Micrographic Examination, offering 100 times & 500 times picture per test plate.
- 3) Positive material indentification (PMI)

Anti-Microbial SS/ Valve

Since year 2009, Zipson start to offer Antibacterial stainless steel/ Antiseptic SS/ Anti-microbial SS. This new material was required in Pharmacy/ Hospital/ Sanitary industriesl.

SPECIFICATION

Top Entry Ball Valve

- * Item 110T & 110F
- * Top-entry ball valve (110T)
- * Top-entry flanged ball valve (110F)
- * Size: 1/2" to 4"
- * Connection of 110T: Thread/ SW/ BW
- * Connection of 110F: ANSI150/ ANSI300/ Pn16/ Pn40
- * Pressure: 1000/ 800 psi, Class150, Class300

2-Piece Flanged Ball Valve

- * Item 207F
- * 2-piece flanged ball valve
- * Size: 1/2" to 6" (for special alloy)
- * Connection: ANSI150/ ANSI300/ Pn16/ Pn40
- * Pressure: Class150, Class300

3-Piece Ball Valve

- * Item 305D
- * 3-piece ball valve
- * Size: 1/4" to 3"
- * Connection: thread/ SW/ BW
- * Pressure: 2000 psi (Class 800)

OPTION

- * Automation application
- * Spring return handle
- * PTFE/ TFM1600/ TFM4215/ PEEK/ UPE soft kits
- * Fire safe design
- * Steam jacket
- * PTFE/ PFA coating (40-70 um)
- * Anti-static devices

SPECIAL ALLOY MATERIALS

SPECIAL ALLOY	HASTELLOY C	MONEL 400	ALLOY 20	317	NICKEL 200
CASTING GRADE	ASTM-A494 CW12MW	ASTM-A494 M35-1	ASTM-A351 CN7M	ASTM-A351 CG8M	ASTM-A494 CZ-100
VALVE BODY	CW12MW	M35-1	CN7M	CG8M	CZ-100
VALVE END	CW12MW	M35-1	CN7M	CG8M	CZ-100
VALVE BALL	CW12MW	M35-1	CN7M	CG8M	CZ-100
VALVE STEM	HASTELOY C276	MONEL 400	ALLOY 20	317	NICKEL 200

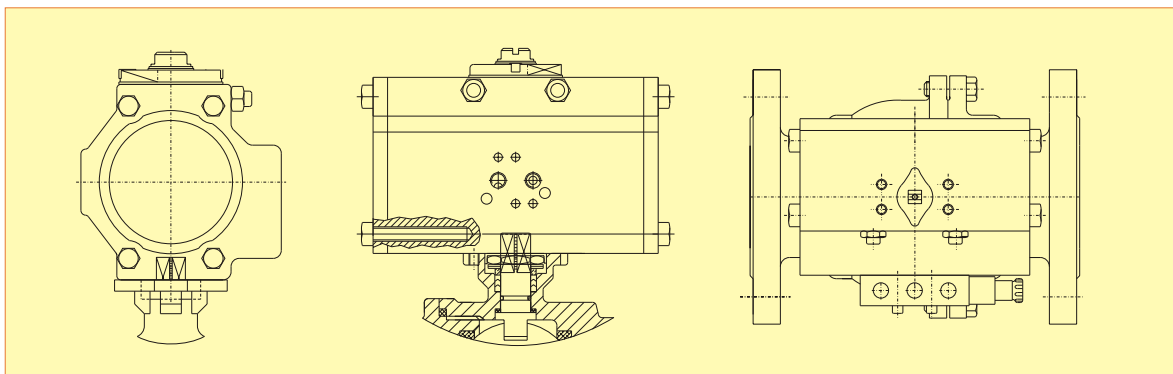
SPECIAL ALLOY	254 SMO	INCONEL 600	904L	Alloy 625	Alloy 59
CASTING GRADE	CK3MCuN	ASTM-A494 CY40	ASTM-A351 CN2MCuN	ASTM-A491 CW6MC	ASTM-A494 CX2M
VALVE BODY	CK3MCuN	CY40	CN2MCuN	CW6MC	CX2M
VALVE END	CK3MCuN	CY40	CN2MCuN	CW6MC	CX2M
VALVE BALL	CK3MCuN	CY40	CN2MCuN	CW6MC	CX2M
VALVE STEM	254 SMO	INCONEL 600	904L	CW6MC	CX2M

DUPLEX SERIES	2205 DUPLEX (F51)	2507 SUPER DUPLEX (F53)	SUPER DUPLEX (F55)
CASTING GRADE	ASTM-A890-4A CD3MN/ DIN 1.4462	ASTM-A890-5A CE3MN/ DIN 1.4410	ASTM-A890-6A CD3MWCuN/ DIN 1.4501
UNS Number	UNS S31803	UNS S23750	UNS S32760
PREn (*)	33-34	40	40
VALVE BODY	CD3MN	CE3MN	CD3MWCuN
VALVE END	CD3MN	CE3MN	CD3MWCuN
VALVE BALL	CD3MN	CE3MN	CD3MWCuN
VALVE STEM	2205 DUPLEX	SUPER DUPLEX 5A	SUPER DUPLEX 6A

(*) PREn=Cr%+3.3Mo%+16N%

Antibacterial Ball Valve/ SS Casting

Anti-Microbial SS	A890-1A+Ag
CASTING GRADE	ASTM-A890-1A+Ag CD4MCU-Ag
VALVE BODY	CD4MCU-Ag
VALVE END	CD4MCU-Ag
VALVE BALL	CD4MCU-Ag
VALVE STEM	CD4MCU-Ag



* Pneumatic (DA or SR)/ Electric actuator * Solenoid valve/ Limit Switch Box/ EP