

CARLOS ARBOLLES S.A



**EMERGENCY SHOWERS
AND EYEWASHES**

CATALOGUE 2018

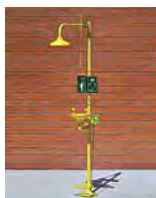
GENERAL

TECHNICAL INFORMATION



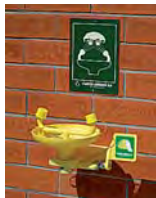
| | |
|---------------------------|-------|
| PRESENTATION | 1 |
| CERTIFICATES | 2 - 3 |
| DESIGN AND MANUFACTURING | 4 - 5 |
| TECHNICAL CHARACTERISTICS | 6 - 7 |

EMERGENCY SHOWERS AND EYEWASHES



| | |
|-------------------|--------|
| FLOOR MOUNTING | 8 - 11 |
| WALL MOUNTING | 12 |
| RECESSED MOUNTING | 13 |

EMERGENCY EYEWASHES



| | |
|-----------------------|---------|
| WALL MOUNTING | 14 |
| FLOOR MOUNTING | 15 |
| TABLE MOUNTING | 16 - 17 |
| DRENCH HOSE EYEWASHES | 18 |
| RECESSED MOUNTING | 19 |

EMERGENCY SHOWERS



| | |
|--------------------|----|
| FLOOR MOUNTING | 20 |
| CEILING MOUNTING | 21 |
| WALL MOUNTING | 21 |
| OVER DOOR MOUNTING | 22 |
| RECESSED MOUNTING | 23 |

STAINLESS STEEL SHOWERS AND EYEWASHES



| | |
|-----------------------|----|
| SHOWERS AND EYEWASHES | 24 |
| SHOWERS | 25 |
| EYEWASHES | 26 |
| PLATFORMS | 27 |

SELF-DRAINING SHOWERS AND EYEWASHES



| | |
|----------------------------|--------------|
| PLATFORMS | 28 - 29 - 31 |
| FLOOR MOUNTING | 30 |
| DECONTAMINATION BOOTH | 31 |
| UNDERGROUND FLOOR MOUNTING | 32 - 35 |
| INTERIOR WALL MOUNTING | 33 |
| UNDERGROUND PLATFORM | 34 |

TANK SHOWERS



| | |
|------------------|----|
| OVER HEAD TANK | 36 |
| UNDERGROUND TANK | 37 |

ACCESSORIES



| | |
|------------------------|----|
| TEMPERED WATER | 38 |
| TEMPERATURE PROTECTION | 39 |
| PRESSURE PROTECTION | 39 |
| BOOTH STRUCTURE | 40 |
| SHOWER PLATFORM | 40 |
| SHOWER TEST | 41 |
| WALL SUPPORT | 41 |
| ALARM KIT | 41 |

INSTALLATION AND MAINTENANCE INSTRUCTIONS



| | |
|--------------|----|
| INSTALLATION | 42 |
| OPERATION | 43 |
| MAINTENANCE | 43 |
| SIGNS | 43 |

SPARE PARTS



| | |
|-------------|----|
| SPARE PARTS | 44 |
|-------------|----|

Reproduction in whole or part of this catalog by any media is prohibited without express permission of CARLOS ARBOLES, S.A.





CARLOS ARBOLES S.A

SAFETY EQUIPMENT

GENERAL CATALOGUE 2018



Since 1929, Arboles manufactures tap fittings of diverse types and applications; we now specialise in two product lines:

- **EMERGENCY SHOWERS AND EYEWASHES**
- **TAP FITTINGS FOR LABORATORIES**

CARLOS ARBOLES, S.A. is certified to ISO 9001, and all the products manufactured in the company are made under strict quality standards.

Since 1976 we have been supplying the international market with a full range of Emergency Equipment. In this catalogue we show our current models.

The Emergency Showers and Eyewashes instantly offer water as a FIRST AID treatment to people who have been exposed to: fire, acids, reagents, radioactive materials, and other contaminants that might cause serious or irreparable injury.

This is the most inexpensive and effective method to date for decontamination.



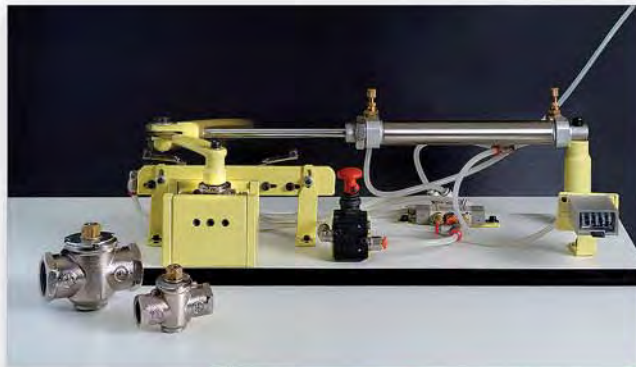
CARLOS ARBOLES, S.A. has its own design and manufacturing team for Emergency Equipment that develops, innovates and improves its products.

DESIGN

Our technical department continually develop and improve our products, along with specially required projects. The latest CAD/CAM technology is employed for production and PROTOTYPING of components. These prototypes are validated in our test LABORATORY. Strict mechanical and hydraulic tests are performed in the laboratory, which guarantee the functionality of the designs in emergency situations.



CAD/CAM TECHNICAL DEPARTMENT



MECHANICAL TESTING



TEST LABORATORY



HYDRAULIC TESTING

MANUFACTURING

The manufacturing process uses high-precision numerical control lathes and machining centers specifically designed for the production of tap fittings. High-performance ovens heat the parts between 300° C and 450° C to later dip them in polyamide 11 powder tanks, where the powder is melted and adheres to the part. After the anti-corrosive coating process, the assembly line finishes the manufacturing process with 100% watertight control of the parts. Throughout the process, the Quality department checks the manufacturing parameters.



NUMERIC CONTROL MACHINING



CNC MACHINING



ANTI-CORROSIVE PLASTIC COATING



PRODUCTS ARE 100% LEAK TESTED

EMERGENCY SHOWERS AND EYEWASHES

CARLOS ARBOLES, S.A. supplies high quality Showers and Eyewashes that are extremely reliable. The following are the main technical characteristics that distinguish our products.

1 HIGH QUALITY MATERIALS

Materials in contact with water are galvanized steel pipes, brass fittings and ABS reinforced plastic. We also have the ability to manufacture equipment in stainless steel.

2 ROBUST CONSTRUCTION

All our products are constructed from high quality materials, where fastening is surface mounting the components are always metallic. This results into a robust equipment for the most adverse conditions.

3 SHOWER HEAD

- The water distribution pattern is in accordance to all relevant standards to give a wide and smooth flow pattern.
- The large Shower head diameter of 250 mm and the design of the flow holes prevent restricted flow caused by lime scale or contamination.

4 FULL RANGE

- We have different models based on their installation, WALL, FLOOR, or TABLE mounted. The equipment is supplied disassembled, its assembly is easy and unmistakable. We have different types of mechanisms:
- Shower with a pull handle or lever.
 - Automatic opening and closing when entering and leaving the platform.
 - Eyewash with a push lever, pedal, or platform operation.

5 EYEWASH ASSEMBLY

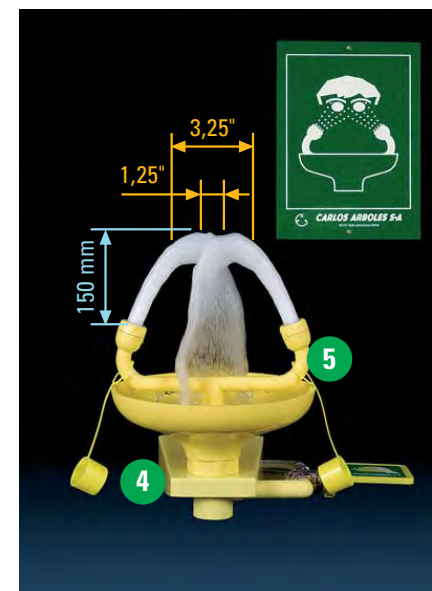
One or two spray heads offer a low pressure aerated water, which flushes the face and the eyes without damaging the delicate eye tissues. The large-diameter jet reaches a 15 cm height, according to the standard. The plastic materials and rounded forms will not cause facial damage in the case of accidental contact. They include an anti-dust cover which operates automatically when the Eyewash unit is activated.

6 ANTI-CORROSIVE AND ENVIRONMENTAL COATING

Anti-corrosive polyamide 11 plastic coating, in HIGH-VISIBILITY YELLOW color. This plastic coating has a thickness of 250 to 300 microns. It has good resistance to acids, bases, sea water, oils... The coating is not derived from petroleum, but is a raw material originating from vegetable oil, and therefore, it preserves the environment. We have a Chemical Resistance Table, which can be consulted on our website: www.carlosarboles.com.



ANSI STANDARD
EN STANDARD



7 ANTI SEIZE VALVE

The Showers and Eyewashes include valves that are specifically designed to be used in emergency situations, since they do not become obstructed nor do they stick up after long periods of inactivity. Optimal results after more than 100,000 cycles.

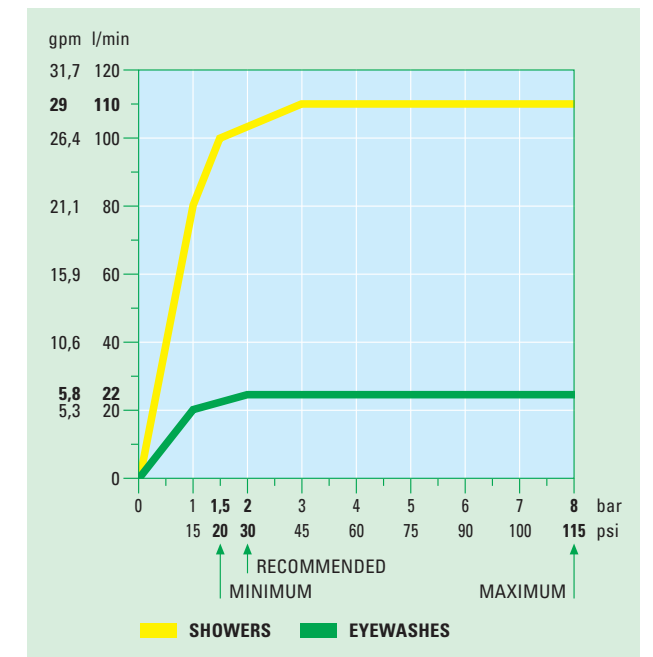
8 TEMPERATURE PROTECTION

In order to prevent freezing or excess temperature in the pipes, we offer different solutions:

- Automatic drain valves to avoid pipe freezing.
- Temperature protection valves, that create a bleed line when the temperatures of the supply piping are extreme.
- Thermostatic valve for the supply of tempered water.

9 FLOW RATE REGULATION

Our valves regulate the water flow, regardless of the inlet pressure. The Showers are regulated at 110 l/min, and the Eyewashes at 22 l/min. Recommended pressure: 2 bar. Maximum pressure: 4 bar or 8 bar depending on equipment. Please notify us if your equipment will operate at pressures lower than 1.5 bar.



10 HIGH-VISIBILITY SIGNALLING

The Emergency Equipment includes:

- A photoluminescence signaling plate with a green background and white text. Dimensions: 210 x 297 mm
- Maintenance table and installation instructions.
- Optionally, an ALARM that may provide a visual and sonorous signal when the Equipment is operated.

INTERNATIONAL STANDARDS

Our products meet or exceed the requirements:

- ANSI Z358.1
- EN 15154 1 and 2
- DIN 12899.3

APPLUS and CSA Institute of Certifications.



USE

The following models combine the Shower and the Eyewash in one Safety Equipment for outdoor and indoor facilities, minimizing the required space, and using a single water inlet for both equipments.

GENERAL FEATURES

MATERIALS Galvanized steel piping. Brass fittings.

COATING Anti-corrosive polyamide 11 in high-visibility yellow.

DOUBLE WATER INLET G 1" 1/4 BSP.

WATER INLET PRESSURE Recommended 2 bar. Minimum 1.5 bar. Maximum 8 bar.

SHOWER OPERATION Pull handle.

SHOWER VALVE Full bore 1", regulated at 110 l/min, instant opening and manual closing.

EYEWASH OPERATION Push handle.

EYEWASH HEADS Two high-flow aerated water spray heads at low pressure with automatic opening anti-dust cover.

EYEWASH VALVE Full bore 1/2", regulated at 22 l/min, instant opening and manual closing.

THE UPDATE OF OUR MODELS IS ON THE WEBSITE www.carlosarboles.com

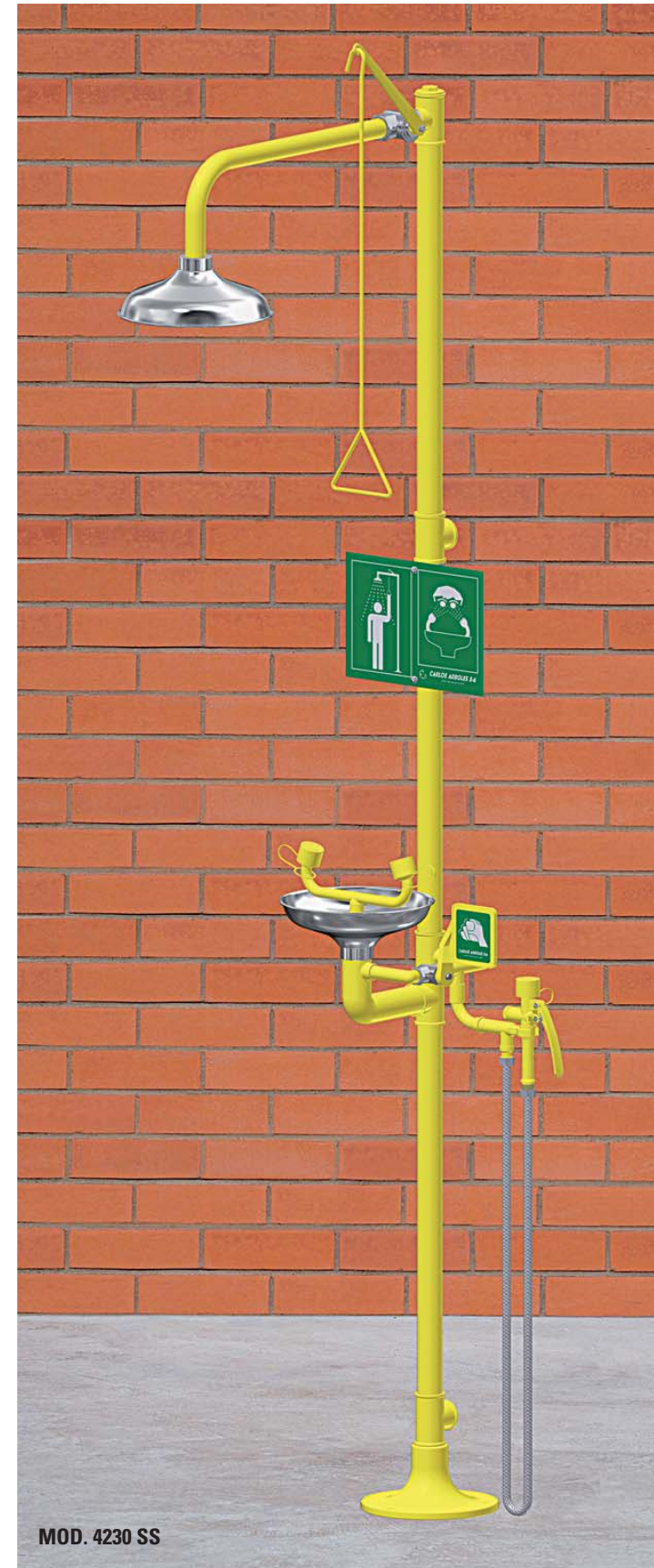
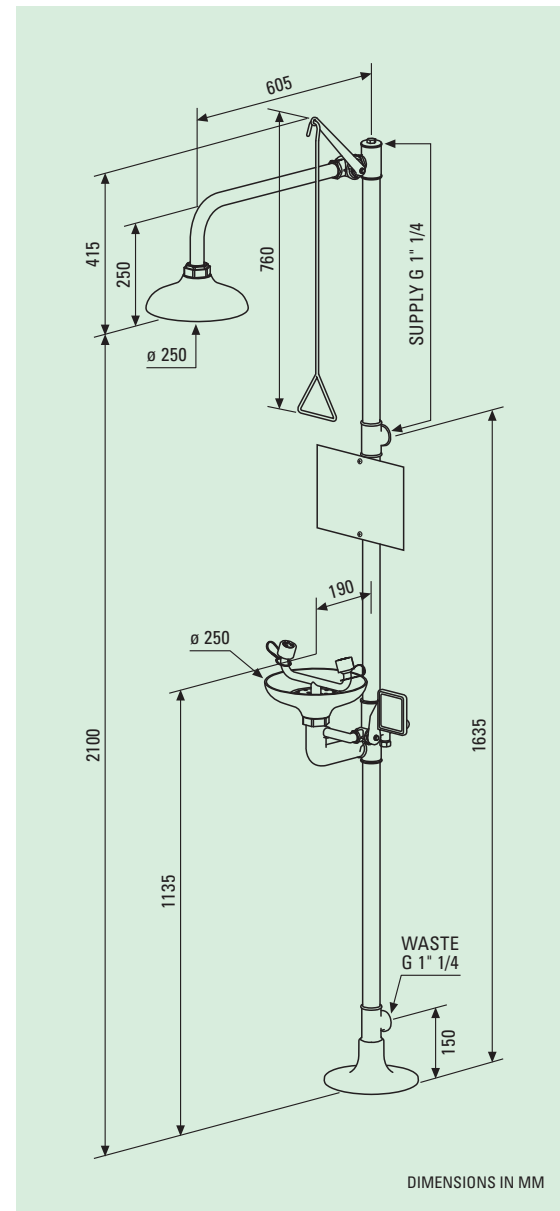
EMERGENCY SHOWERS AND EYEWASHES



MOD. 4220

FLOOR MOUNTING

| MODELS | SHOWER HEAD/BOWL ABS | SHOWER HEAD/BOWL STAINLESS STEEL | |
|--------|----------------------|--|--|
| | 4220 | 4220 SS | |
| 4230 | 4230 SS | PULL ROD SHOWER, PUSH HANDLE EYEWASH INCLUDES SPRAY UNIT MOD. 3000 | |



MOD. 4230 SS

FLOOR MOUNTING

| MODELS | SHOWER HEAD/BOWL ABS | SHOWER HEAD/BOWL STAINLESS STEEL | |
|--------|----------------------|---|--|
| | 4250 | 4250 SS | |
| 4255 | 4255 SS | PULL ROD SHOWER, PUSH HANDLE AND FOOT TREADLE EYEWASH INCLUDES SPRAY UNIT MOD. 3000 | |



MOD. 4250



USE

The following models combine the Shower and the Eyewash in one Safety Equipment for outdoor and indoor facilities, minimizing the required space and using a single water inlet for both equipments.

GENERAL FEATURES

- MATERIALS** Galvanized steel piping. Brass fittings.
- COATING** Anti-corrosive polyamide 11 in high-visibility yellow.
- DOUBLE WATER INLET** G 1" 1/4 BSP.
- WATER INLET PRESSURE** Recommended 2 bar. Minimum 1.5 bar. Maximum 8 bar.
- SHOWER OPERATION** Pull handle.

SHOWER VALVE Full bore 1", regulated at 110 l/min, instant opening and manual closing.

EYEWASH OPERATION Push handle or foot treadle.

EYEWASH HEADS Two high-flow aerated water spray heads at low pressure with automatic opening anti-dust cover.

EYEWASH VALVE Full bore 1/2", regulated at 22 l/min, instant opening and manual closing.

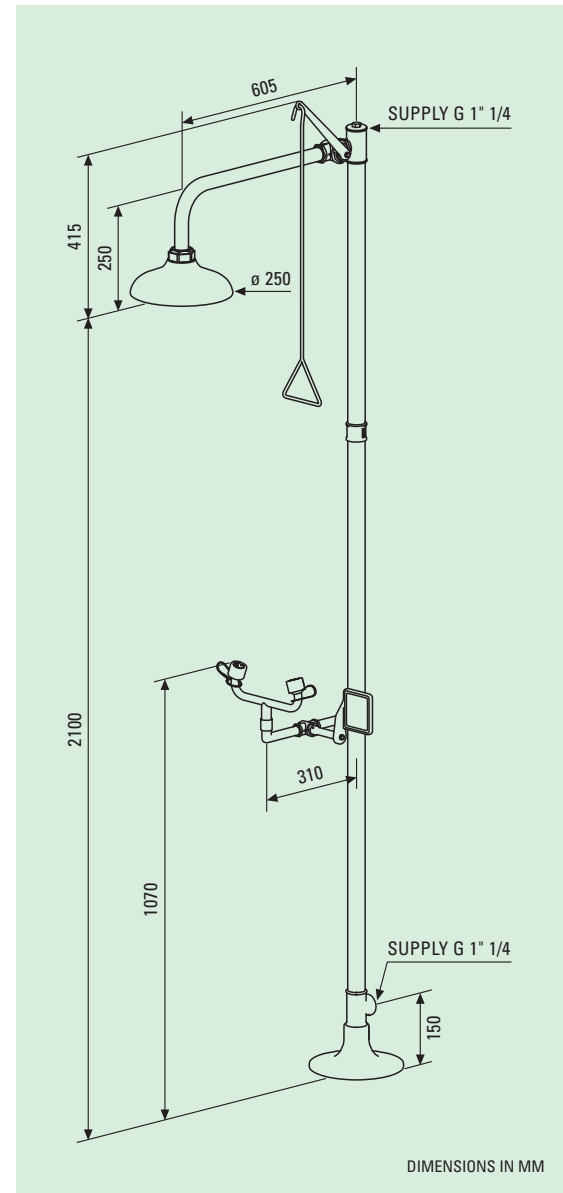
THE UPDATE OF OUR MODELS IS ON THE WEBSITE www.carlosarboles.com



MOD. 4260

FLOOR MOUNTING

| MODELS | SHOWER HEAD ABS | SHOWER HEAD STAINLESS STEEL | PULL ROD SHOWER, PUSH HANDLE EYEWASH WITHOUT BOWL |
|--------|-----------------|-----------------------------|---|
| | 4260 | 4260 SS | |



LOW CEILING

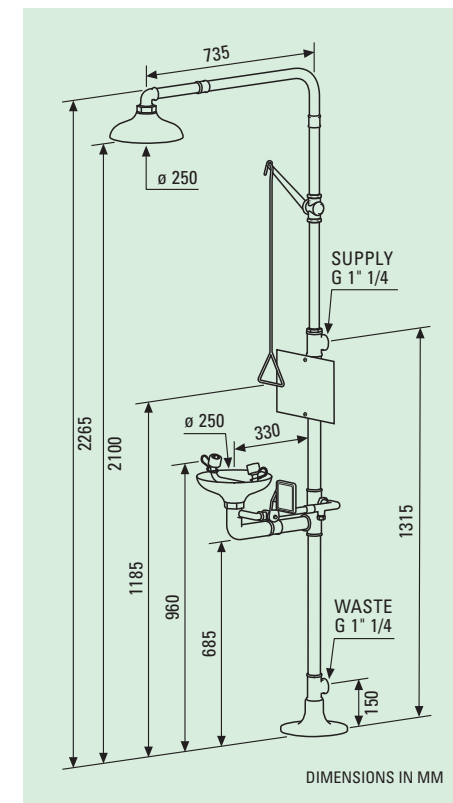
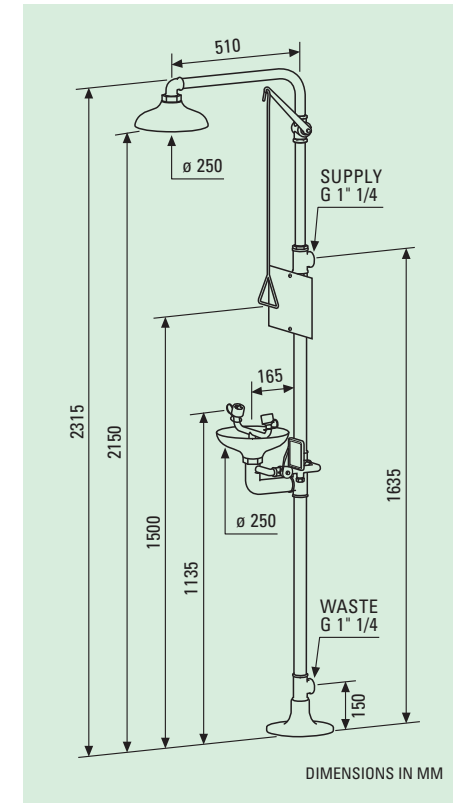
Low ceiling Shower and Eyewash combination has been designed for areas with a height limitation.



MOD. 4221

MODEL 4221
PULL ROD SHOWER, PUSH HANDLE EYEWASH, SHOWER HEAD/BOWL ABS, LOW CEILING

MODEL 4221 SS
PULL ROD SHOWER, PUSH HANDLE EYEWASH, SHOWER HEAD/BOWL STAINLESS STEEL, LOW CEILING



REDUCED MOBILITY

Reduced mobility Shower and Eyewash combination has been designed for disabled people or wheelchair access.



MOD. 4225

MODEL 4225
PULL ROD SHOWER, PUSH HANDLE EYEWASH, SHOWER HEAD/BOWL ABS, REDUCED MOBILITY

MODEL 4225 SS
PULL ROD SHOWER, PUSH HANDLE EYEWASH, SHOWER HEAD/BOWL STAINLESS STEEL, REDUCED MOBILITY



WALL MOUNTING USE

The following models combine the Shower and the Eyewash in one Safety Equipment for outdoor and indoor facilities, minimizing the required space, and using a single water inlet for both equipments,

RECESSED MOUNTING USE

Indoor Safety Equipment recessed in the wall. Emergency Shower starts operating when you lower the lever and Eyewash starts operating when you opening stainless steel door.

GENERAL FEATURES

MATERIALS Galvanized steel piping. Brass fittings.

COATING Anti-corrosive polyamide 11 in high-visibility yellow.

WATER INLET G 1" BSP.

WATER INLET PRESSURE Recommended 2 bar. Minimum 1.5 bar. Maximum 8 bar.

WATER INLET PRESSURE MOD. 4275 3 bar.

SHOWER OPERATION Pull handle or cabinet lever.

SHOWER VALVE Full bore 1", regulated at 110 l/min, instant opening and manual closing.

EYEWASH OPERATION Push handle or cabinet handle.

EYEWASH HEADS Two high-flow aerated water spray heads at low pressure with automatic opening anti-dust cover.

EYEWASH VALVE Full bore 1/2", regulated at 22 l/min, instant opening and manual closing.

EYEWASH VALVE MOD. 4275 Flow 20 l/min at 3 bar, instant opening and manual closing.

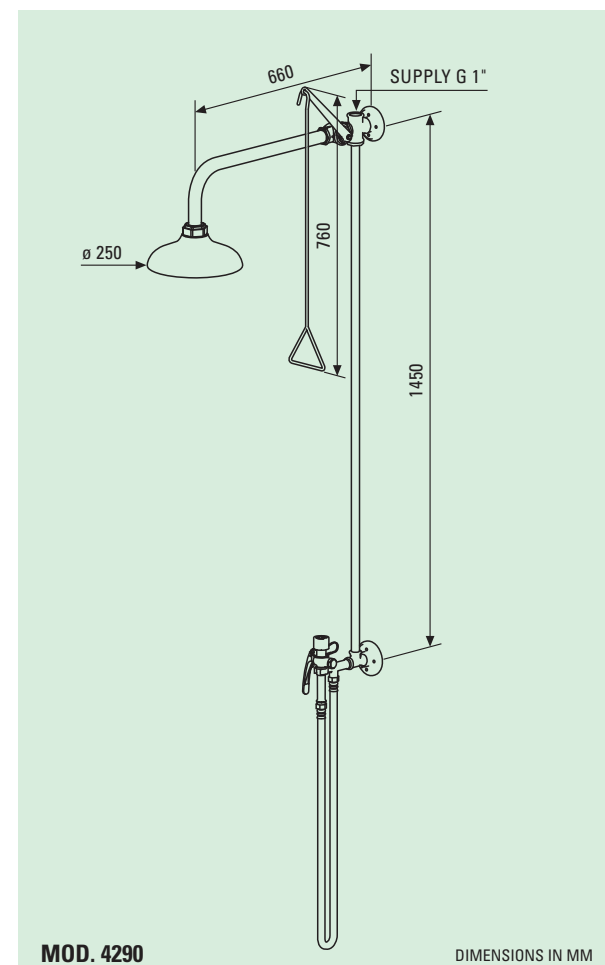
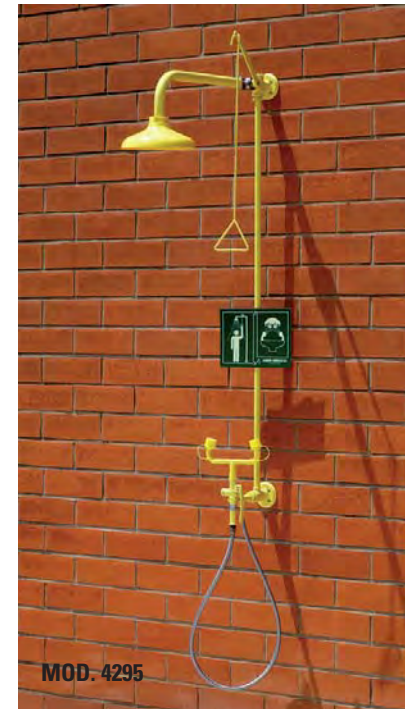
INSTALLATION Height assembly see pag. 42.

THE UPDATE OF OUR MODELS IS ON THE WEBSITE www.carlosarboles.com



WALL MOUNTING

| MODELS | SHOWER HEAD ABS | SHOWER HEAD STAINLESS STEEL | DESCRIPTION |
|--------|-----------------|-----------------------------|---|
| 4280 | 4280 SS | | PULL ROD SHOWER, PUSH HANDLE EYEWASH WITHOUT BOWL |
| 4285 | 4285 SS | | PULL ROD SHOWER, PUSH HANDLE EYEWASH |
| 4290 | 4290 SS | | PULL ROD SHOWER, DRENCH HOSE EYEWASH |
| 4295 | 4295 SS | | PULL ROD SHOWER, DRENCH HOSE DOUBLE EYEWASH |



MOD. 4290

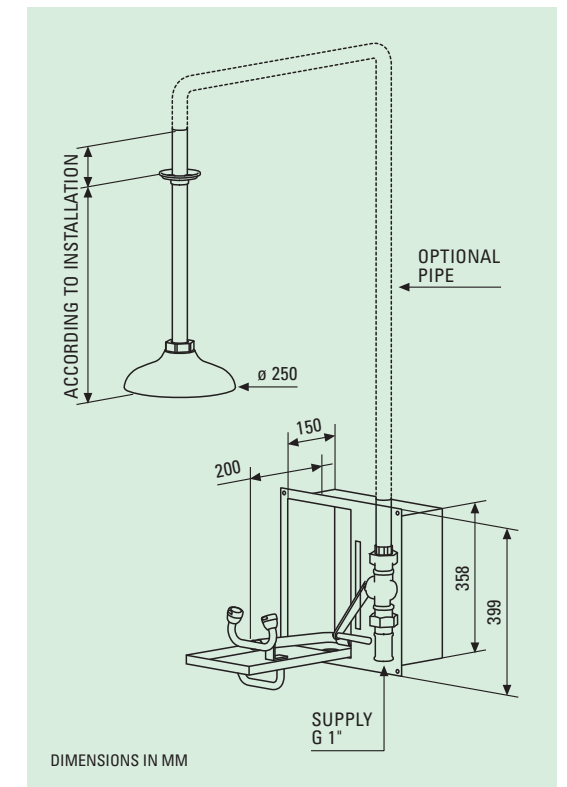
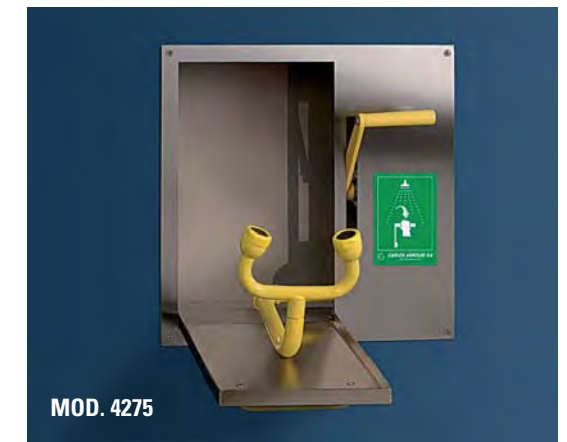
DIMENSIONS IN MM



MOD. 4275

RECESSED MOUNTING

| MODELS | SHOWER HEAD ABS | SHOWER HEAD STAINLESS STEEL | DESCRIPTION |
|--------|-----------------|-----------------------------|---|
| 4275 | 4275 SS | | RECESSED SHOWER AND EYEWASH, PULL ROD SHOWER, OPENING BOX EYEWASH |



DIMENSIONS IN MM

USE

In outdoor or indoor facilities the Eyewashes are activated by pushing the lever.

GENERAL FEATURES

MATERIALS Galvanized steel piping. Brass fittings.

COATING Anti-corrosive polyamide 11 in high-visibility yellow.

WATER INLET G 1/2" BSP.

WATER INLET PRESSURE Recommended 2 bar. Minimum 1.5 bar. Maximum 8 bar.

EYEWASH OPERATION Push handle, foot treadle or swivel opening.

EYEWASH HEADS Two high-flow aerated water spray heads at low pressure with automatic opening anti-dust cover.

EYEWASH VALVE Full bore 1/2", regulated at 22 l/min, instant opening and manual closing.

EYEWASH VALVE MOD. 3820 Flow 20 l/min at 3 bar, instant opening and manual closing.

INSTALLATION Height assembly see pag. 42.

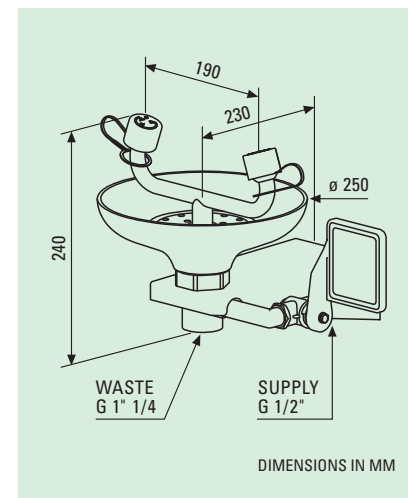
THE UPDATE OF OUR MODELS IS ON THE WEBSITE www.carlosarboles.com



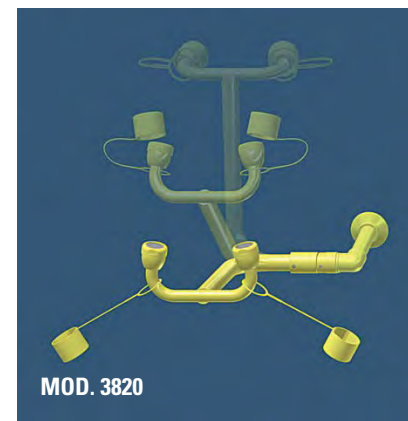
MOD. 2210

WALL MOUNTING

| MODELS | BOWL ABS | BOWL STAINLESS STEEL | |
|--------|----------|------------------------------------|--|
| | 2210 | 2210 SS | |
| 2230 | 2230 SS | EYEWASH WITH DRENCH HOSE MOD. 3000 | |
| 3510 | | EYEWASH WITHOUT BOWL | |
| 3820 | | EYEWASH SWING OUT WITHOUT BOWL | |



MOD. 3510



MOD. 3820

FLOOR MOUNTING

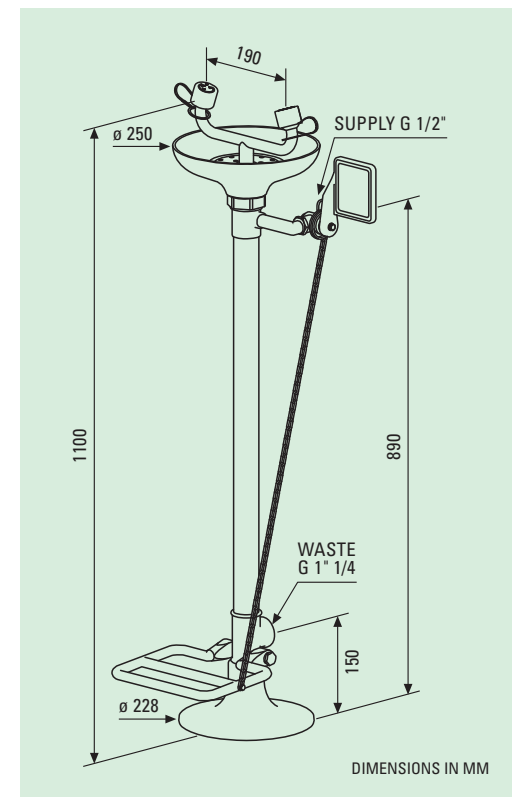
| MODELS | BOWL ABS | BOWL STAINLESS STEEL | |
|--------|----------|---------------------------------------|--|
| | 2220 | 2220 SS | |
| 2240 | 2240 SS | EYEWASH WITH DRENCH HOSE MOD. 3000 | |
| 2710 | 2710 SS | EYEWASH DOUBLE CONTROL HANDLE/TREADLE | |



MOD. 2710



MOD. 2220





USE

Series of Eyewashes specially designed for their installation in laboratories, directly on the work table itself.

GENERAL FEATURES

MATERIALS Galvanized steel piping. Brass fittings.

COATING Anti-corrosive polyamide 11 in high-visibility yellow.

WATER INLET G 1/2" BSP.

WATER INLET PRESSURE Recommended 2 bar. Minimum 1.5 bar. Maximum 8 bar.

WATER INLET PRESSURE MOD. 3620 - 3720 3 bar.

EYEWASH OPERATION Push handle, push button or swivel opening.

EYEWASH HEADS Two high-flow aerated water spray heads at low pressure with automatic opening anti-dust cover.

EYEWASH VALVE Full bore 1/2", regulated at 22 l/min, instant opening and manual closing.

EYEWASH VALVE MOD. 3620 - 3720 Flow 20 l/min at 3 bar, instant opening and manual closing.

THE UPDATE OF OUR MODELS IS ON THE WEBSITE www.carlosarboles.com

EMERGENCY EYEWASHES

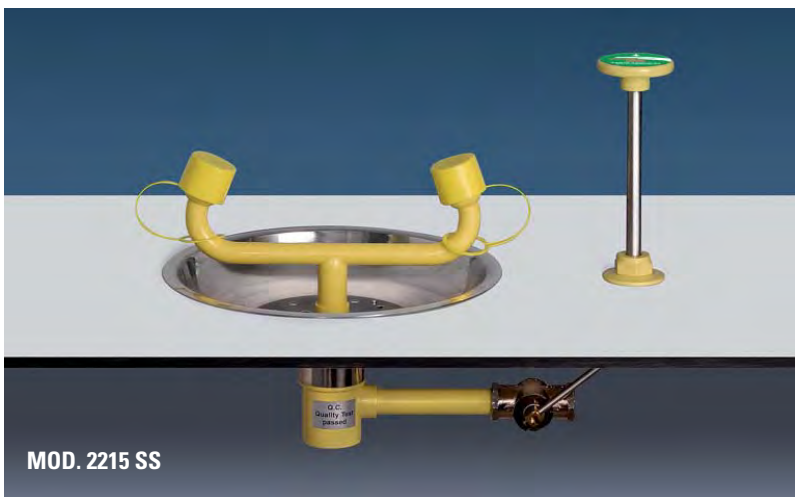
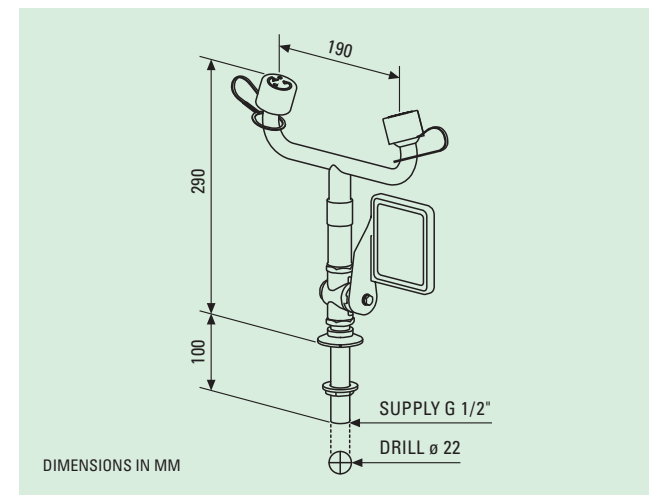
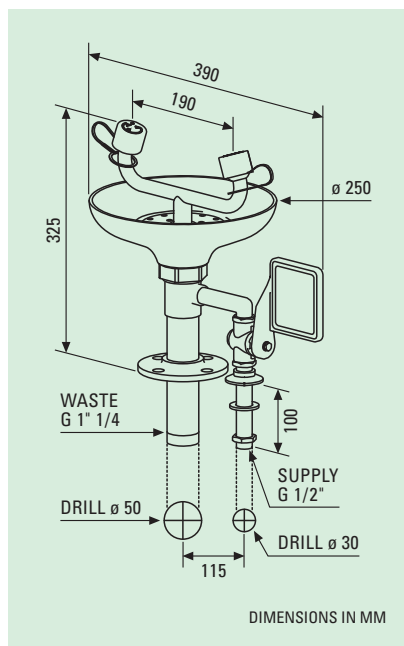
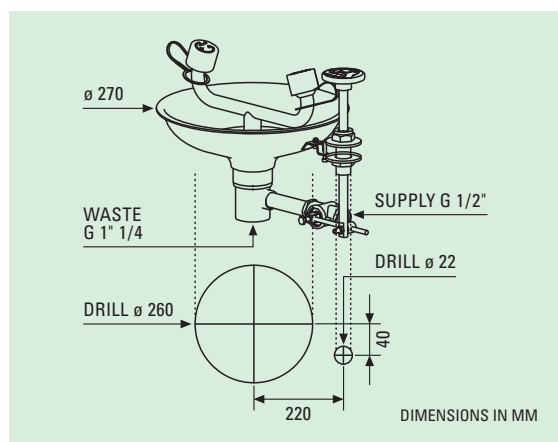
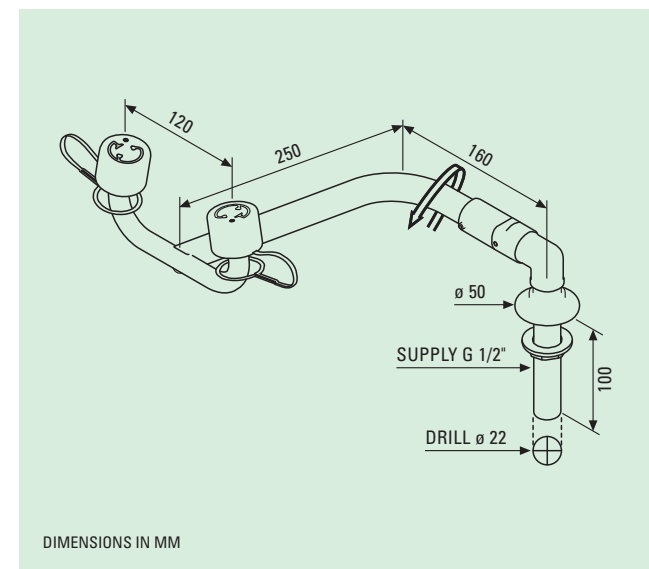
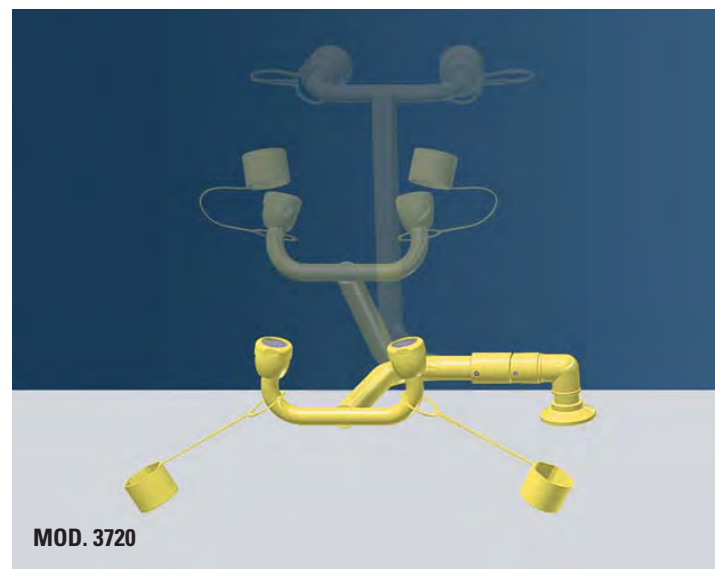
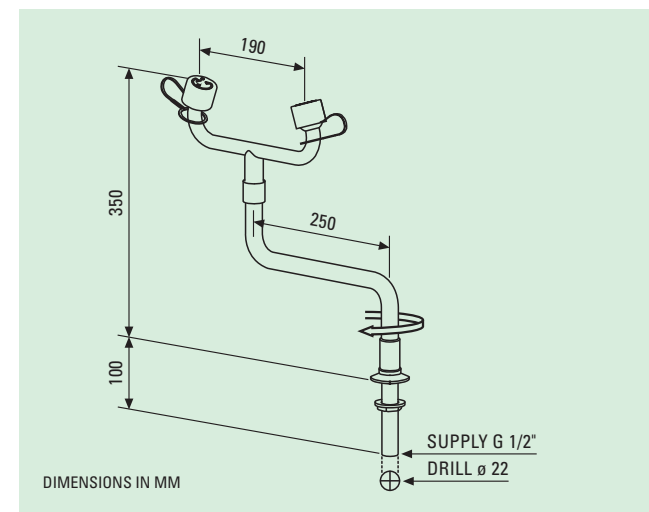


TABLE MOUNTING

| | BOWL ABS | BOWL STAINLESS STEEL | |
|---------------|-------------|----------------------|--|
| | 2212 | 2212 SS | EYEWASH |
| | | 2215 SS | TABLE RECESSED EYEWASH |
| MODELS | 3500 | | EYEWASH WITHOUT BOWL |
| | 3620 | | SWIVEL EYEWASH WITHOUT BOWL 90° TURN OPENING |
| | 3720 | | EYEWASH SWING OUT WITHOUT BOWL |





DRENCH HOSE EYEWASH USE

Manual Eyewashes with 1.5 m long flexible tube, with one or two high-flow aerated water spray heads at low pressure. To be used in industry, laboratories, schools, etc.

RECESSED MOUNTING USE

Indoor Eyewash recessed in the wall. Eyewash starts operating when you opening stainless steel door.

GENERAL FEATURES

MATERIALS Stainless steel flexible tube. Brass fittings.

COATING Anti-corrosive polyamide 11 in high-visibility yellow.

WATER INLET G 1/2" BSP.

WATER INLET PRESSURE Recommended 2 bar. Minimum 1.5 bar. Maximum 8 bar.

WATER INLET PRESSURE MOD. 2275 3 bar.

EYEWASH OPERATION Lever or cabinet handle.

EYEWASH HEADS One or two high-flow aerated water spray heads at low pressure with automatic opening anti-dust cover.

EYEWASH VALVE Regulated at 15 l/min (one spray head) or 22 l/min (two spray heads), instant opening and manual closing.

EYEWASH VALVE MOD. 2275 Flow 20 l/min at 3 bar, instant opening and manual closing.

THE UPDATE OF OUR MODELS IS ON THE WEBSITE www.carlosarboles.com

EMERGENCY EYEWASHES



DRENCH HOSE EYEWASHES

MODELS

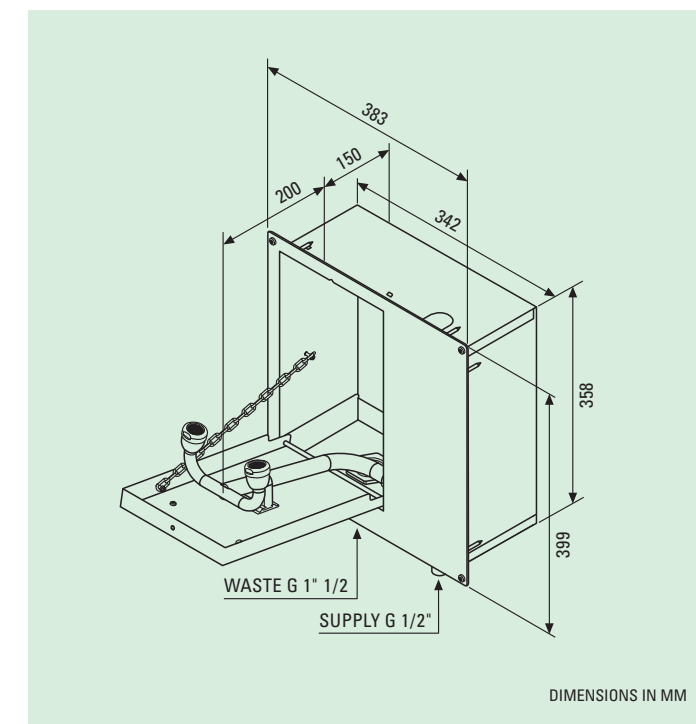
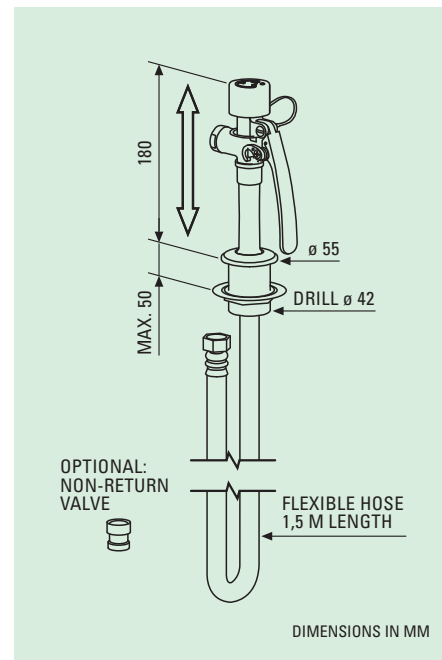
- 3000** WALL EYEWASH WITH SINGLE HEAD
- 3100** WALL EYEWASH WITH SINGLE HEAD AND WALL FEEDING BRACKET
- 3110** WALL EYEWASH WITH DOUBLE HEAD AND WALL FEEDING BRACKET
- 3120** TABLE EYEWASH WITH SINGLE HEAD
- 3130** TABLE EYEWASH WITH DOUBLE HEAD
- 190030** OPTIONAL NON-RETURN VALVE



RECESSED MOUNTING

MODEL

- 2275** WALL EYEWASH





USE

In outdoor and indoor facilities the Emergency Showers are activated by pulling the lever.

GENERAL FEATURES

- MATERIALS** Galvanized steel piping. Brass fittings.
- COATING** Anti-corrosive polyamide 11 in high-visibility yellow.
- WATER INLET** G 1" BSP or G 1" 1/4 BSP.
- WATER INLET PRESSURE** Recommended 2 bar. Minimum 1.5 bar. Maximum 8 bar.

SHOWER OPERATION Pull handle.

SHOWER VALVE Full bore 1", regulated at 110 l/min, instant opening and manual closing.

INSTALLATION Height assembly see pag. 42.

THE UPDATE OF OUR MODELS IS ON THE WEBSITE
www.carlosarboles.com

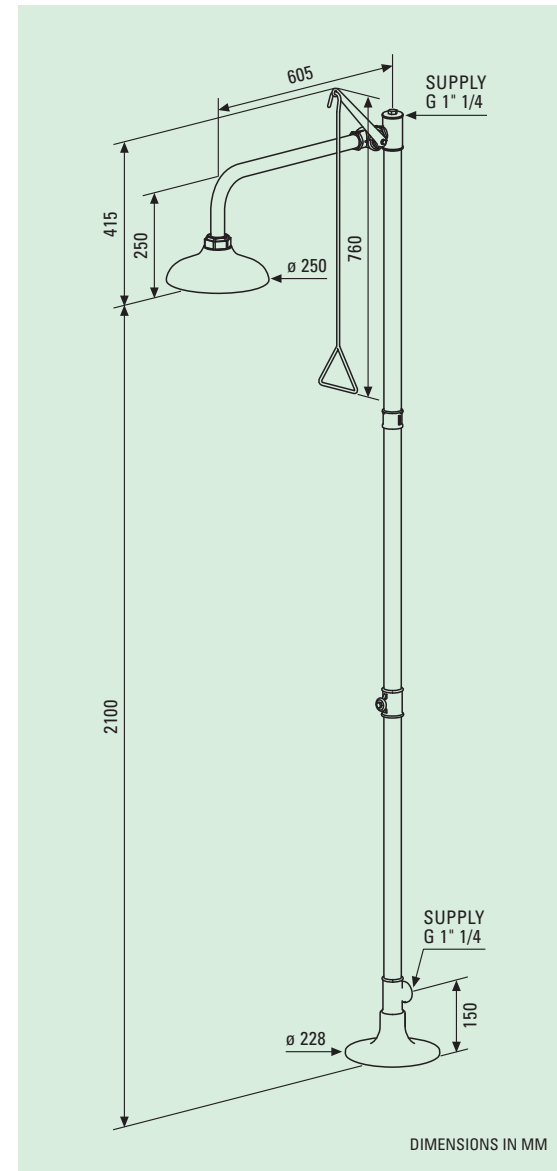
EMERGENCY SHOWERS



MOD. 1120

FLOOR MOUNTING

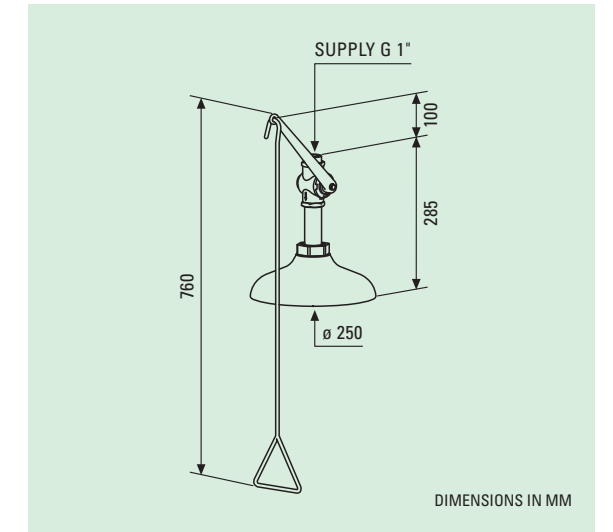
| | SHOWER HEAD ABS | SHOWER HEAD STAINLESS STEEL | |
|--------|-----------------|-----------------------------|-----------------|
| MODELS | 1120 | 1120 SS | PEDESTAL SHOWER |



MOD. 1100

CEILING MOUNTING

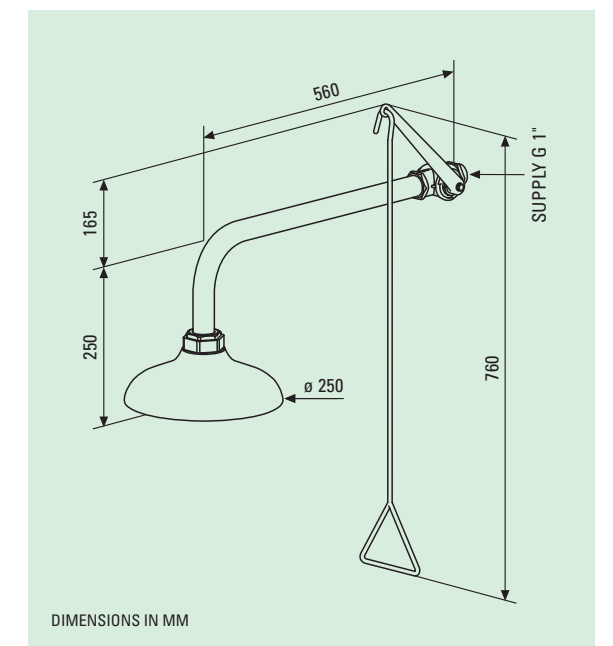
| | SHOWER HEAD ABS | SHOWER HEAD STAINLESS STEEL | |
|--------|-----------------|-----------------------------|-----------------|
| MODELS | 1100 | 1100 SS | VERTICAL SHOWER |



MOD. 1110

WALL MOUNTING

| | SHOWER HEAD ABS | SHOWER HEAD STAINLESS STEEL | |
|--------|-----------------|-----------------------------|-------------------|
| MODELS | 1110 | 1110 SS | HORIZONTAL SHOWER |



OVER DOOR USE

In indoor facilities the Emergency Showers are installed over a door or emergency exit.

RECESSED MOUNTING USE

Indoor Shower recessed in the wall. Shower starts operating when you lower the lever.

GENERAL FEATURES

MATERIALS Galvanized steel piping. Brass fittings.

COATING Anti-corrosive polyamide 11 in high-visibility yellow.

WATER INLET G 1" BSP.

WATER INLET PRESSURE Recommended 2 bar. Minimum 1.5 bar. Maximum 8 bar.

SHOWER OPERATION Pull handle or cabinet lever.

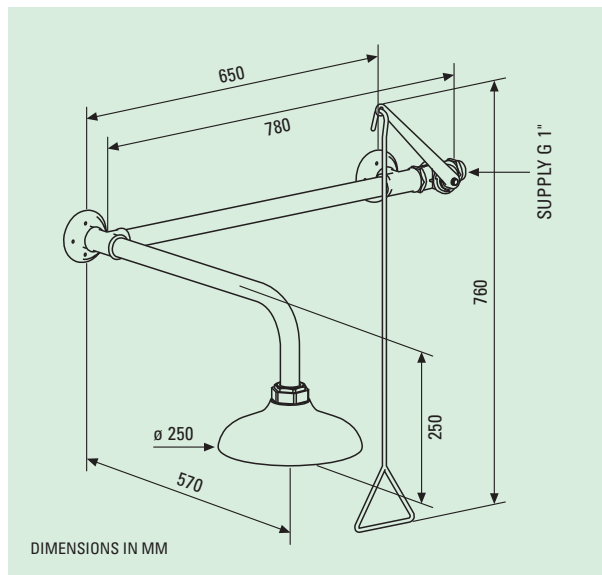
SHOWER VALVE Full bore 1", regulated at 110 l/min, instant opening and manual closing.

INSTALLATION Height assembly see pag. 42.

THE UPDATE OF OUR MODELS IS ON THE WEBSITE
www.carlosarboles.com

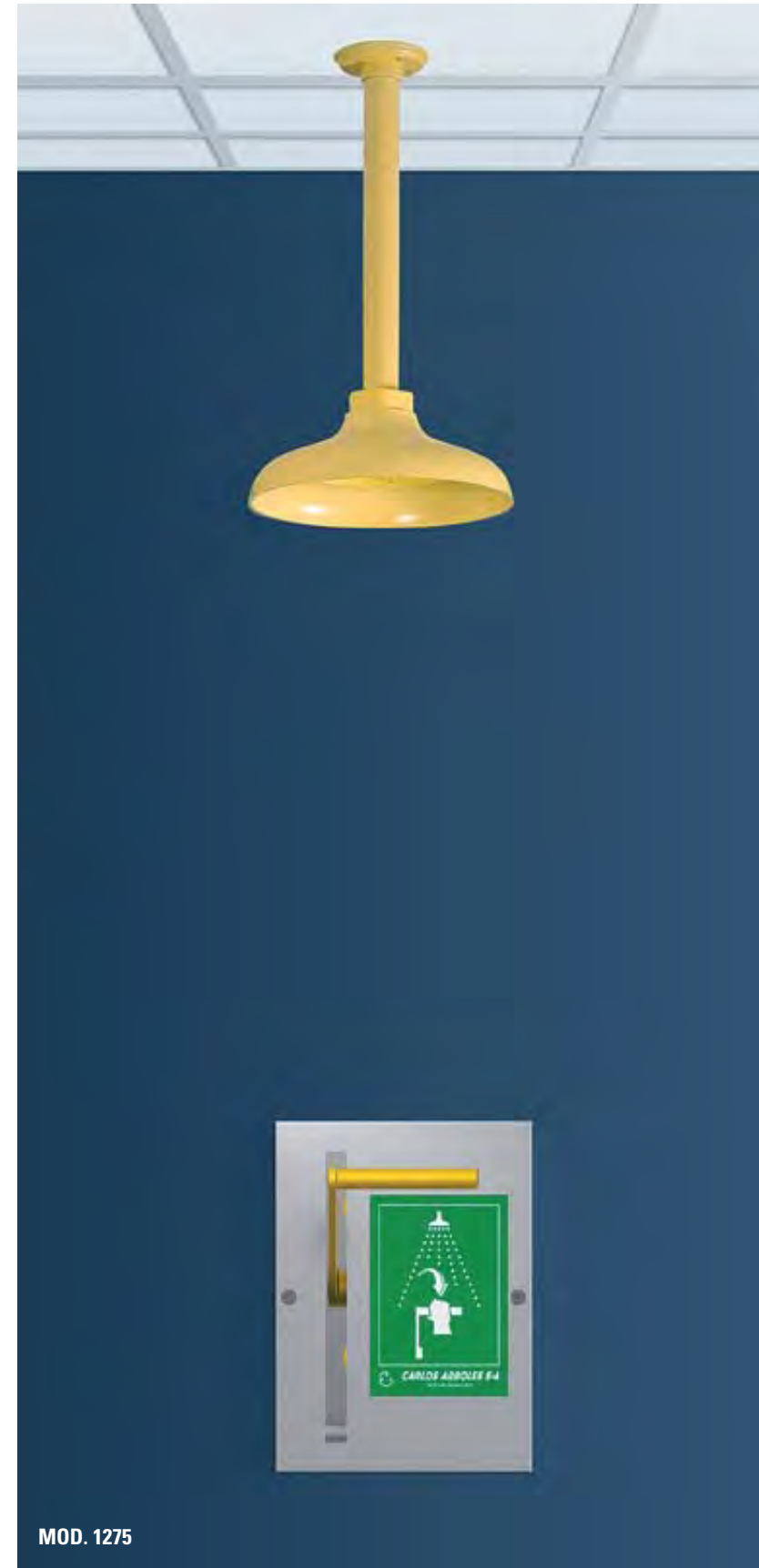


MOD. 1141



OVER DOOR

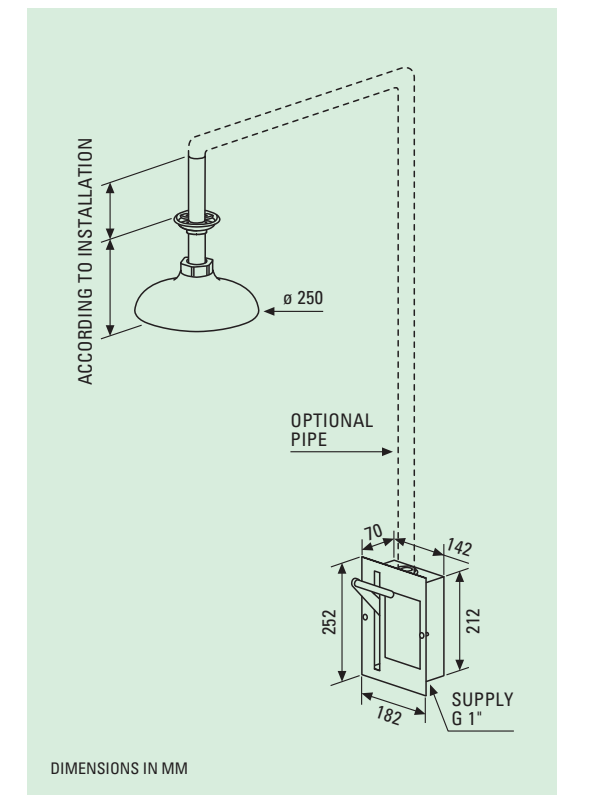
| | SHOWER HEAD ABS | SHOWER HEAD STAINLESS STEEL | |
|--------|-----------------|-----------------------------|--------------------------------|
| MODELS | 1141 | 1141 SS | EMERGENCY SHOWER RIGHT CONTROL |
| | 1142 | 1142 SS | EMERGENCY SHOWER LEFT CONTROL |



MOD. 1275

RECESSED MOUNTING

| | SHOWER HEAD ABS | SHOWER HEAD STAINLESS STEEL | |
|--------|-----------------|-----------------------------|-----------------|
| MODELS | 1275 | 1275 SS | RECESSED SHOWER |





USE

Series of Emergency Showers and Eyewashes completely constructed of stainless steel to be installed in food industries, nuclear energy, etc. The models combine the Shower and Eyewashes between them, minimizing the required space, and using a sole water inlet for both pieces of equipment.

GENERAL FEATURES

MATERIALS Stainless steel piping and fittings.

WATER INLET G 1" BSP or G 1" 1/4 BSP.

WATER INLET PRESSURE Recommended 2 bar. Minimum 1.5 bar. Maximum 8 bar.

SHOWER OPERATION Pull handle.

SHOWER VALVE Full bore 1", regulated at 110 l/min, instant opening and manual closing.

EYEWASH OPERATION Push handle or foot treadle.

EYEWASH VALVE Full bore 1/2", regulated at 22 l/min, instant opening and manual closing.

INSTALLATION Height assembly see pag. 42.

THE UPDATE OF OUR MODELS IS ON THE WEBSITE www.carlosarboles.com

STAINLESS STEEL SHOWERS AND EYEWASHES

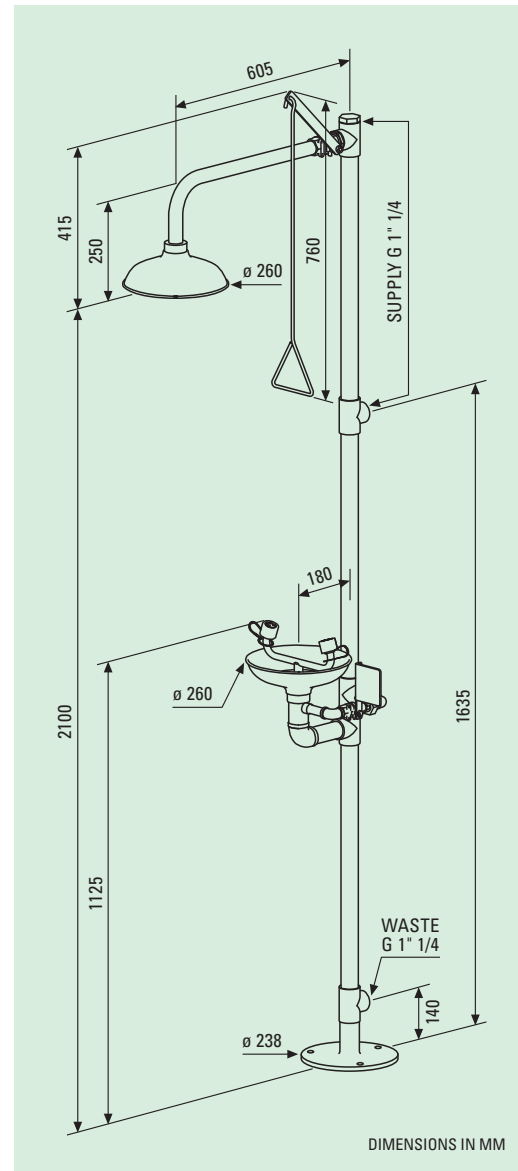
SHOWERS AND EYEWASHES

MODELS

- 4220 TI** PULL ROD SHOWER, PUSH HANDLE EYEWASH, FLOOR MOUNTING
- 4250 TI** PULL ROD SHOWER, PUSH HANDLE AND FOOT TREADLE EYEWASH, FLOOR MOUNTING
- 4260 TI** PULL ROD SHOWER, PUSH HANDLE EYEWASH WITHOUT BOWL, WALL MOUNTING
- 4285 TI** PULL ROD SHOWER, PUSH HANDLE EYEWASH, WALL MOUNTING



MOD. 4220 TI



DIMENSIONS IN MM



MOD. 4260 TI

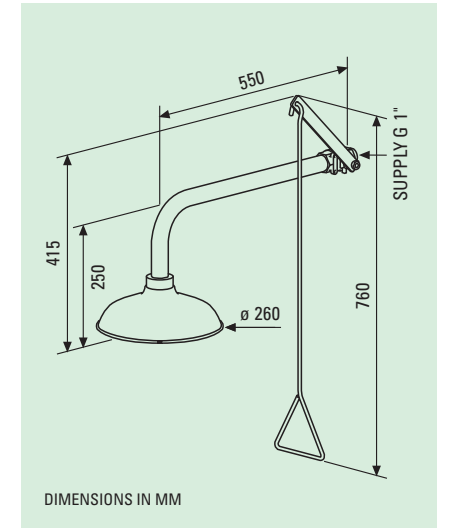
SHOWERS

MODELS

- 1100 TI** VERTICAL SHOWER, CEILING MOUNTING
- 1110 TI** HORIZONTAL SHOWER, WALL MOUNTING
- 1120 TI** PEDESTAL SHOWER, FLOOR MOUNTING



MOD. 1100 TI



DIMENSIONS IN MM



MOD. 1110 TI





USE

Series of Emergency Eyewashes and Booth Stations completely constructed of stainless steel to be installed in food industries, nuclear energy, etc.

GENERAL FEATURES

MATERIALS Stainless steel piping and fittings.

WATER INLET G 1/2" BSP (Eyewash) or G 1" 1/4 BSP (Cabin).

WATER INLET PRESSURE Recommended 2 bar. Minimum 1.5 bar. Maximum 8 bar (Eyewash) or 4 bar (Cabin).

SHOWER OPERATION Pull handle or platform.

PLATFORM VALVE 1" 1/4, automatic opening and closing, automatic drain.

SHOWER OPERATION Platform or pull handle.

SHOWER VALVE Full bore 1", regulated at 110 l/min, instant opening and manual closing.

EYEWASH OPERATION Push handle, foot treadle or platform.

EYEWASH VALVE Full bore 1/2", regulated at 22 l/min, instant opening and manual closing.

INSTALLATION Height assembly see pag. 42.

THE UPDATE OF OUR MODELS IS ON THE WEBSITE www.carlosarboles.com

STAINLESS STEEL SHOWERS AND EYEWASHES



EYEWASHES

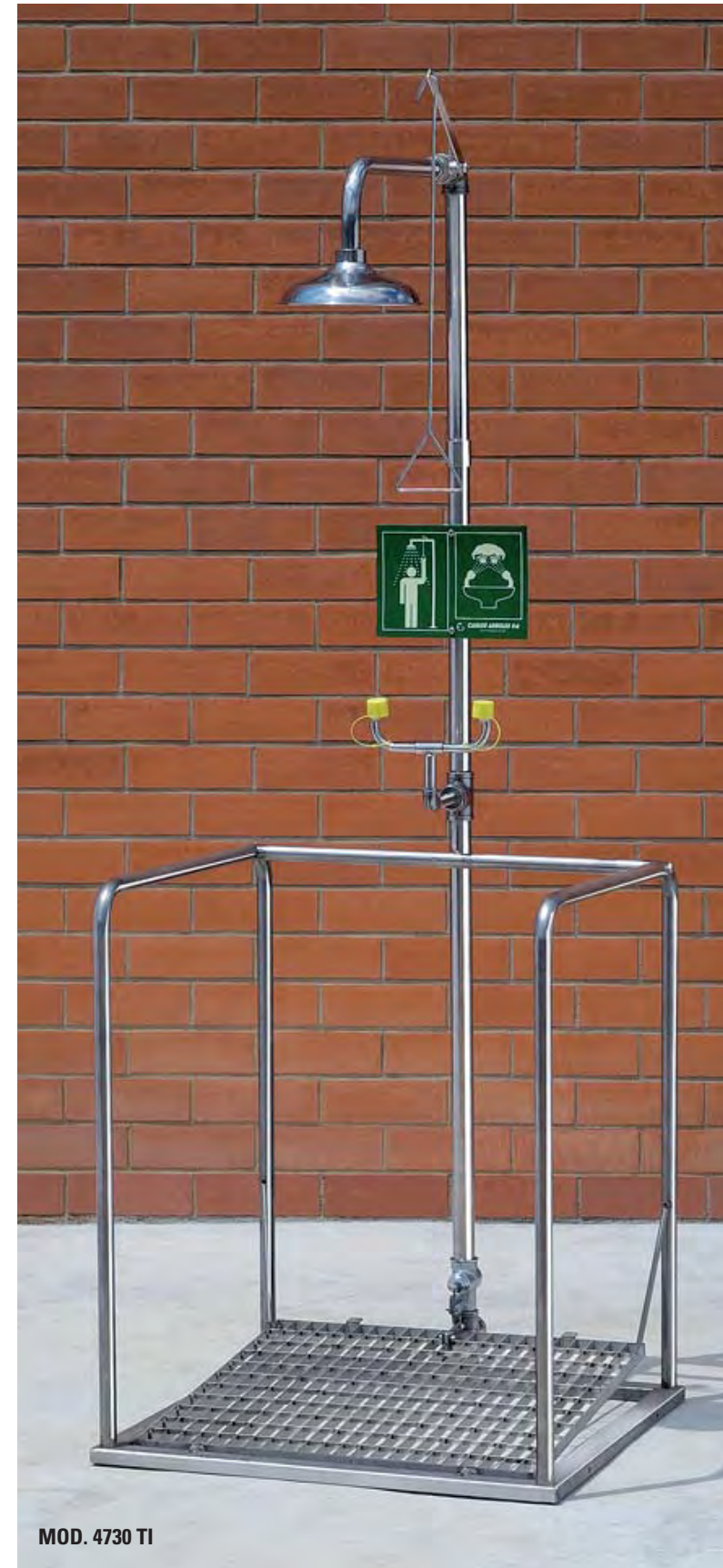
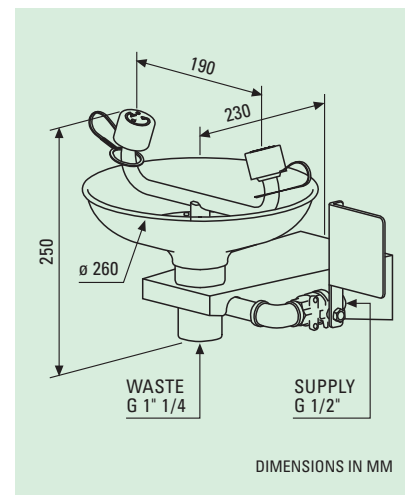
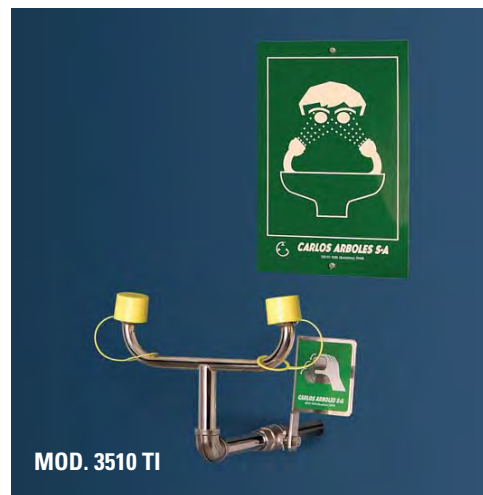
MODELS

2210 TI WALL EYEWASH WITH BOWL

2220 TI PEDESTAL EYEWASH WITH BOWL

2710 TI PEDESTAL EYEWASH WITH BOWL AND FOOT TREADLE

3510 TI EYEWASH WITHOUT BOWL



PLATFORMS

MODELS

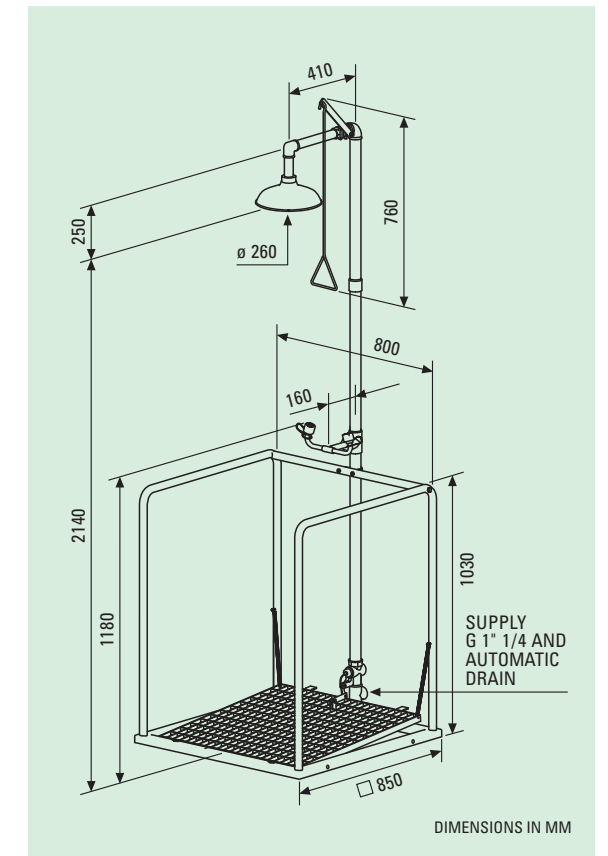
4700 TI EMERGENCY SHOWER AND EYEWASH DOUBLE PLATFORM SEPARATE OPERATION

4710 TI SHOWER PLATFORM, SHOWER HEAD ABS

4720 TI EMERGENCY SHOWER AND EYEWASH PLATFORM SIMULTANEOUS OPERATION

4730 TI EMERGENCY SHOWER AND EYEWASH PLATFORM INDEPENDENT OPERATION

4750 TI EYEWASH PLATFORM





USE

The Self-draining Showers platforms in external facilities is completely automatic when a person enters the platform. Automatic drain valve for residual water. When standing on the platform the water enters the supply pipe to the Shower or Eyewash. When exiting after use, the residual water drains via the automatic drain valve thus preventing the system from freezing.

GENERAL FEATURES

- MATERIALS** Galvanized steel piping. Brass fittings.
- COATING** Anti-corrosive polyamide 11 in high-visibility yellow.
- WATER INLET** G 1/2" BSP or G 1" 1/4 BSP.
- WATER INLET PRESSURE** Recommended 2 bar. Minimum 1.5 bar. Maximum 4 bar.

- PLATFORM VALVE** 1" 1/4, automatic opening and closing, automatic drain.
- SHOWER OPERATION** Platform or pull handle.
- SHOWER VALVE** Full bore 1", regulated at 110 l/min, instant opening and manual closing.
- EYEWASH OPERATION** Platform.
- EYEWASH VALVE** Full bore 1/2", regulated at 22 l/min, instant opening and manual closing.
- EYEWASH HEADS** Two high-flow aerated water spray heads at low pressure with automatic opening anti-dust cover.

THE UPDATE OF OUR MODELS IS ON THE WEBSITE www.carlosarboles.com

SELF-DRAINING SHOWERS AND EYEWASHES



MOD. 4700

PLATFORMS SHOWERS AND EYEWASHES

| | SHOWER HEAD ABS | SHOWER HEAD STAINLESS STEEL | |
|--------|-----------------|-----------------------------|---|
| MODELS | 4700 | 4700 SS | EMERGENCY SHOWER AND EYEWASH DOUBLE PLATFORM SEPARATE OPERATION |

| | SHOWER HEAD ABS | SHOWER HEAD STAINLESS STEEL | |
|--------|-----------------|-----------------------------|---|
| MODELS | 4720 | 4720 SS | EMERGENCY SHOWER AND EYEWASH PLATFORM SIMULTANEOUS OPERATION |
| | 4730 | 4730 SS | EMERGENCY SHOWER AND EYEWASH PLATFORM INDEPENDENT OPERATION |



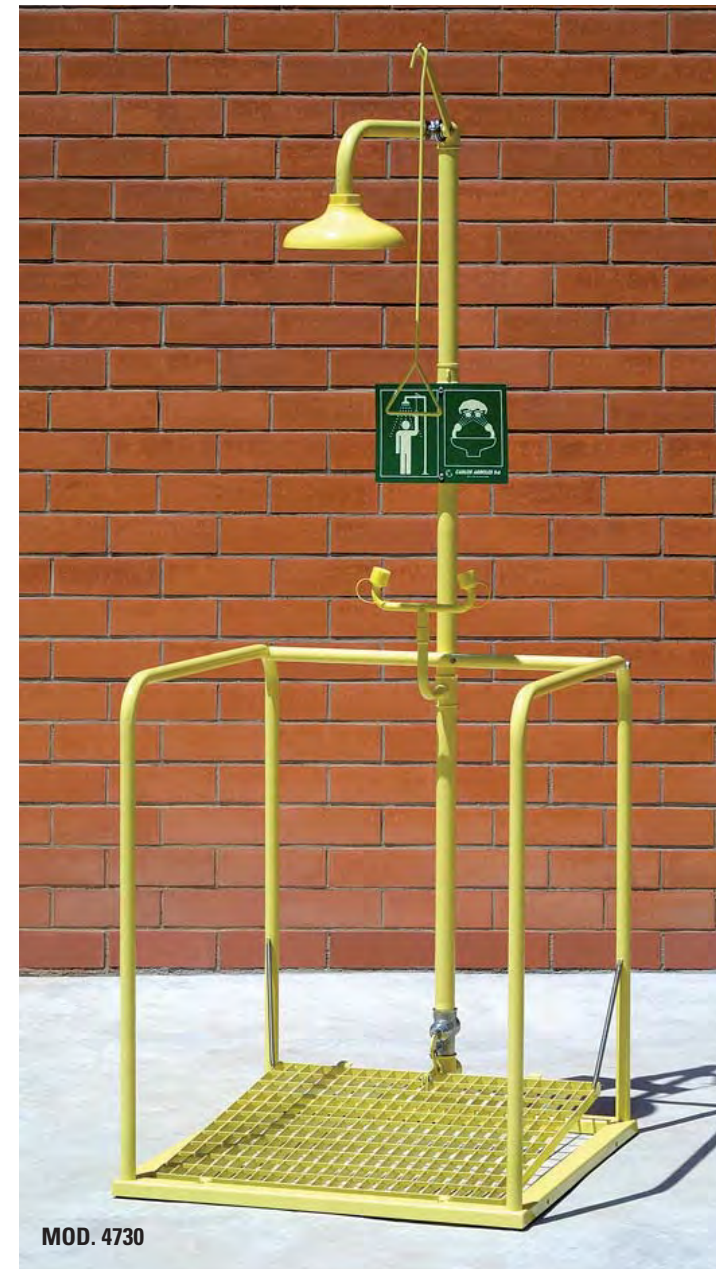
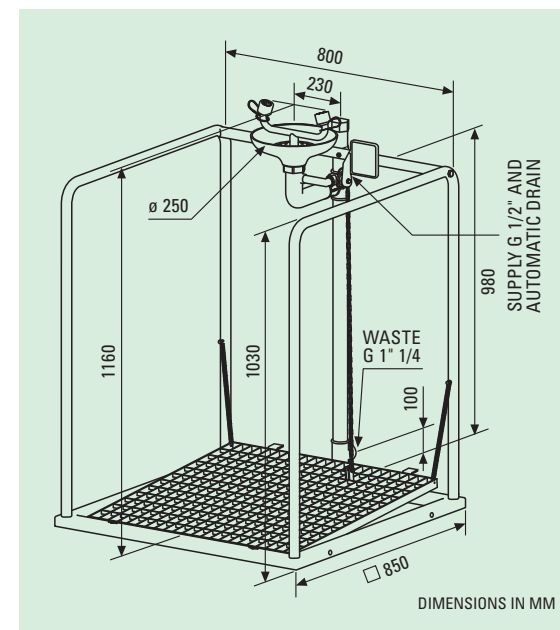
MOD. 4720



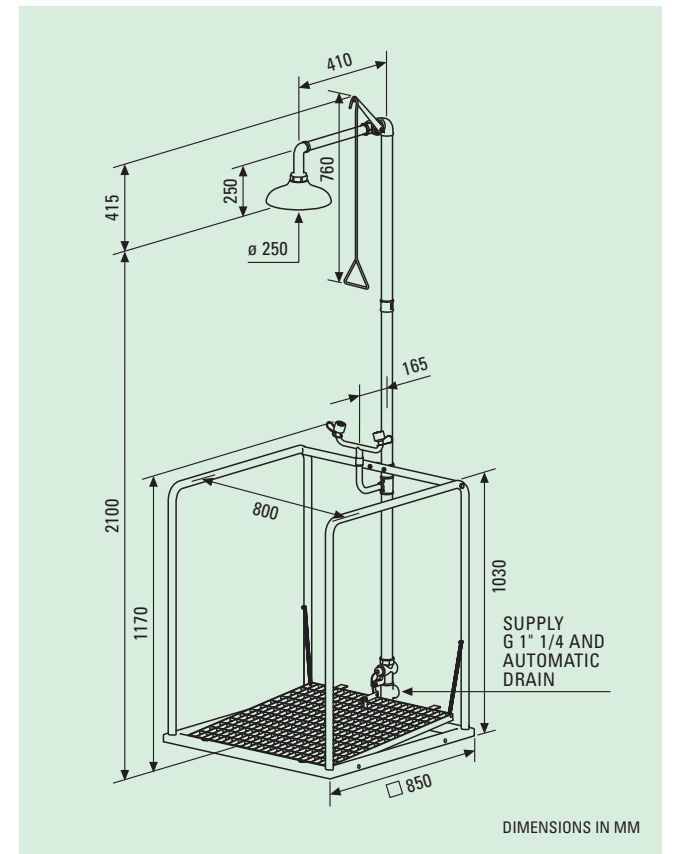
MOD. 4750

PLATFORMS SHOWERS AND EYEWASHES

| | BOWL ABS | BOWL STAINLESS STEEL | |
|--------|----------|----------------------|------------------|
| MODELS | 4750 | 4750 SS | EYEWASH PLATFORM |



MOD. 4730





USE

The Self-draining Showers platforms in external facilities is completely automatic when a person enters the platform. Automatic drain valve for residual water. The Self-draining Showers floor mounting are provided with drain valves which are activated after pushing the handle.

GENERAL FEATURES

- MATERIALS** Galvanized steel piping. Brass fittings.
- COATING** Anti-corrosive polyamide 11 in high-visibility yellow.
- WATER INLET** G 1" 1/4 BSP.
- WATER INLET PRESSURE** Recommended 2 bar. Minimum 1.5 bar. Maximum 8 bar. (4 bar for platforms).

- PLATFORM VALVE** 1" 1/4, automatic opening and closing, automatic drain.
- SHOWER OPERATION** Push handle, foot treadle or platform.
- SHOWER VALVE** Full bore 1", regulated at 110 l/min, instant opening and manual closing.
- EYEWASH OPERATION** Push handle or foot treadle.
- EYEWASH VALVE** Full bore 1/2", regulated at 22 l/min, instant opening and manual closing.
- EYEWASH HEADS** Two high-flow aerated water spray heads at low pressure with automatic opening anti-dust cover.

THE UPDATE OF OUR MODELS IS ON THE WEBSITE
www.carlosarboles.com

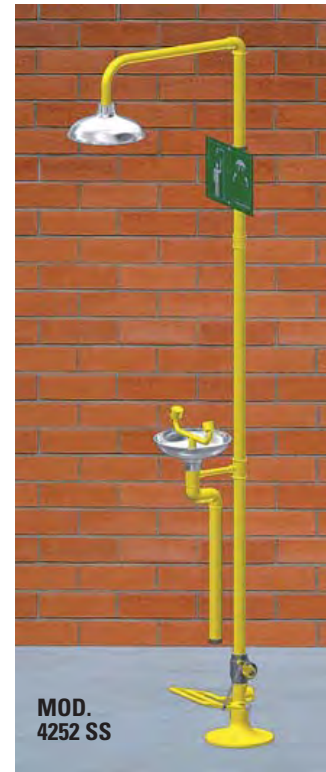
SELF-DRAINING SHOWERS AND EYEWASHES

FLOOR MOUNTING

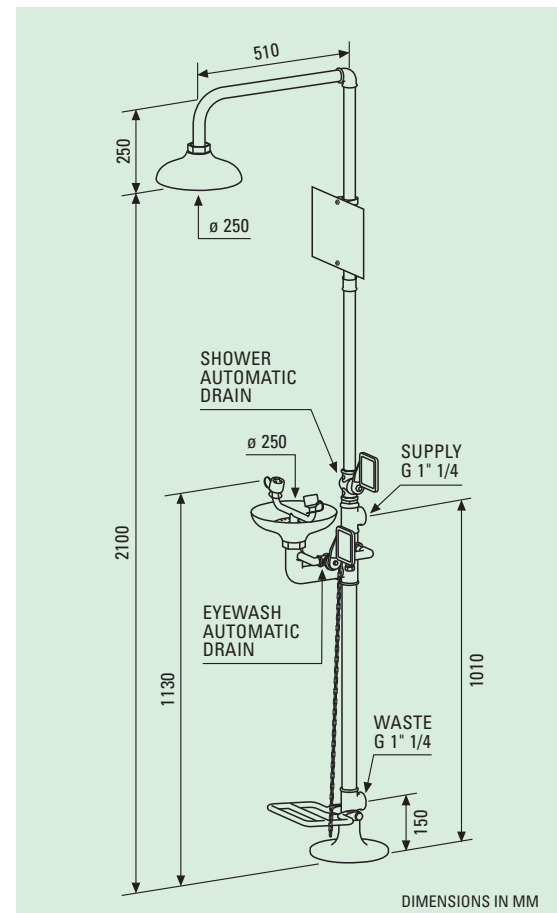
| MODELS | SHOWER HEAD/BOWL | SHOWER HEAD/BOWL | |
|--------|------------------|------------------|---|
| | ABS | STAINLESS STEEL | |
| 4252 | 4252 SS | | SIMULTANEOUS OPERATION FOOT TREADLE OPERATION |
| 4253 | 4253 SS | | INDEPENDENT OPERATION, PUSH HANDLE FOR SHOWER, HANDLE OR FOOT TREADLE FOR EYEWASH |



MOD. 4253



MOD. 4252 SS



DIMENSIONS IN MM



MOD. 4810

PLATFORM SHOWERS

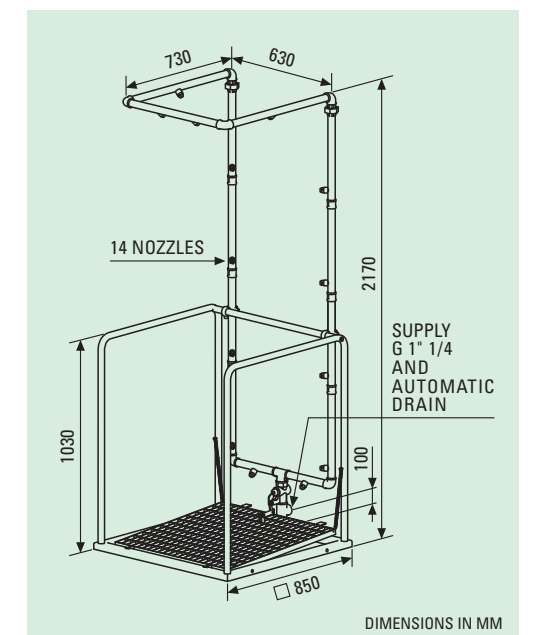
- MODEL 4710
SHOWER PLATFORM, SHOWER HEAD ABS
- MODEL 4710 SS
SHOWER PLATFORM, SHOWER HEAD STAINLESS STEEL

DECONTAMINATION BOOTH

- MODEL 4810
PLATFORM WITH 14 SPRAYS



MOD. 4710



DIMENSIONS IN MM



USE

In outdoor facilities with extreme low or high temperatures. The floor equipment uses underground valves with automatic drains. The wall equipment is supplied inside the building. When the operating lever is pushed, the water enters the supply pipe to the Shower or Eyewash, when closing the valve after use the residual water drains via the automatic drain valve thus preventing the system from freezing.

GENERAL FEATURES

MATERIALS Galvanized steel piping. Brass fittings.

COATING Anti-corrosive polyamide 11 in high-visibility yellow.

WATER INLET G 1/2" BSP, G 1" BSP or G 1" 1/4 BSP.

WATER INLET PRESSURE Recommended 2 bar. Minimum 1.5 bar. Maximum 8 bar.

SHOWER/EYEWASH OPERATION Pull lever handle/Push handle.

SHOWER VALVE Full bore 1" or 1" 1/4, regulated at 110 l/min, instant opening and manual closing, automatic drain.

EYEWASH HEADS Two high-flow aerated water spray heads at low pressure with automatic opening anti-dust cover.

EYEWASH VALVE Full bore 1/2", regulated at 22 l/min, instant opening and manual closing, automatic drain.

INSTALLATION Height assembly see pag. 42.

THE UPDATE OF OUR MODELS IS ON THE WEBSITE www.carlosarboles.com

UNDERGROUND FLOOR MOUNTING

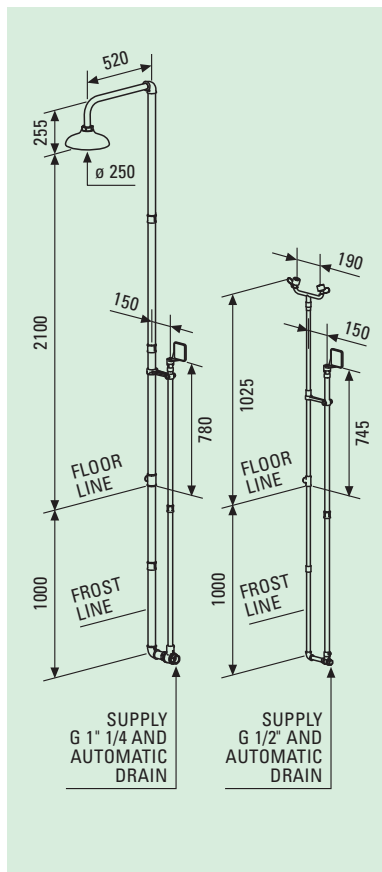
| | SHOWER HEAD ABS | SHOWER HEAD STAINLESS STEEL | |
|--------|-----------------|-----------------------------|--------------------------------|
| MODELS | 1120 FP | 1120 FP/SS | TEMPERATURE SHOWER PROTECTION |
| | 2220 FP | | TEMPERATURE EYEWASH PROTECTION |



MOD. 1120 FP

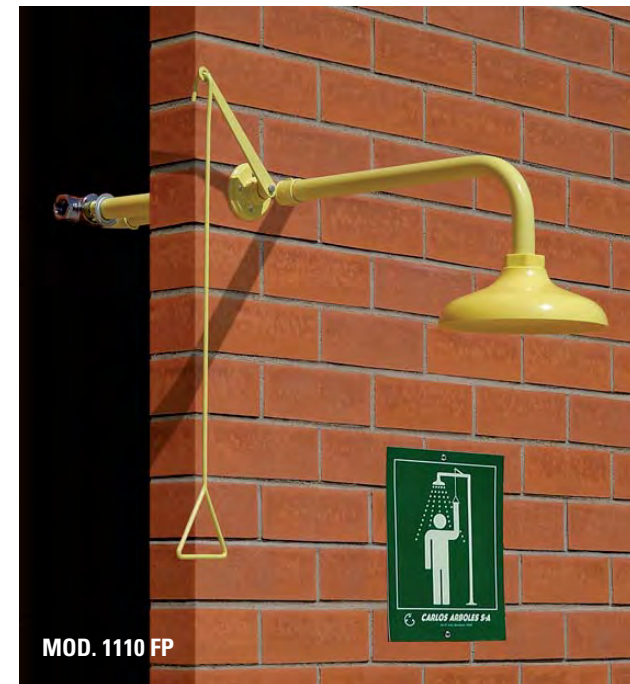


MOD. 2220 FP

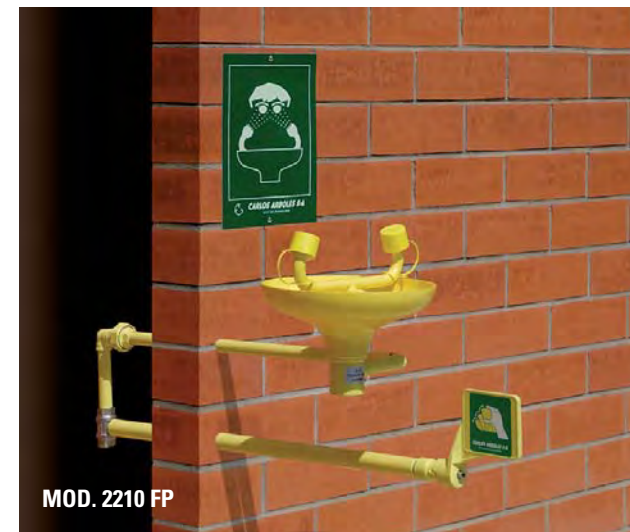


INTERIOR WALL MOUNTING

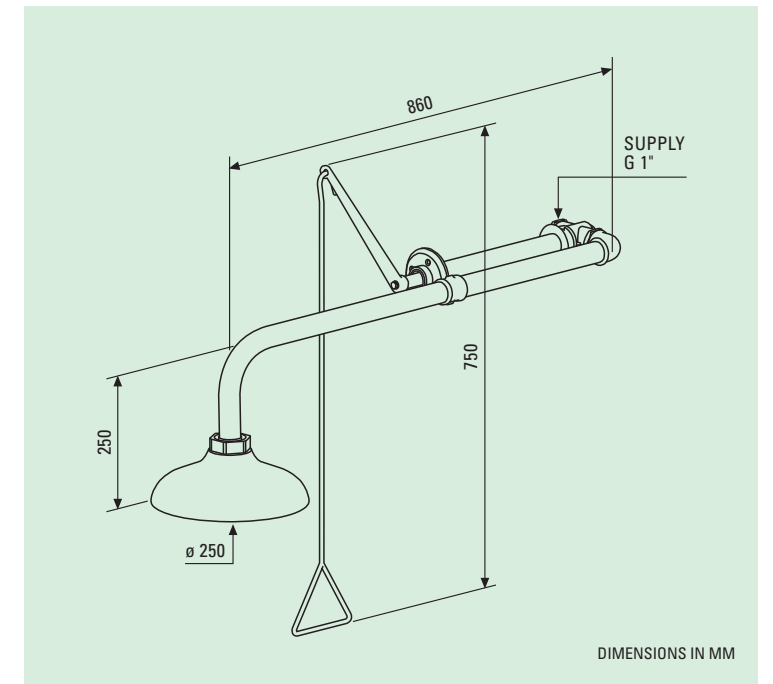
| | SHOWER HEAD ABS | SHOWER HEAD STAINLESS STEEL | |
|--------|-----------------|-----------------------------|--------------------------------|
| MODELS | 1110 FP | 1110 FP/SS | TEMPERATURE SHOWER PROTECTION |
| | 2210 FP | 2210 FP/SS | TEMPERATURE EYEWASH PROTECTION |



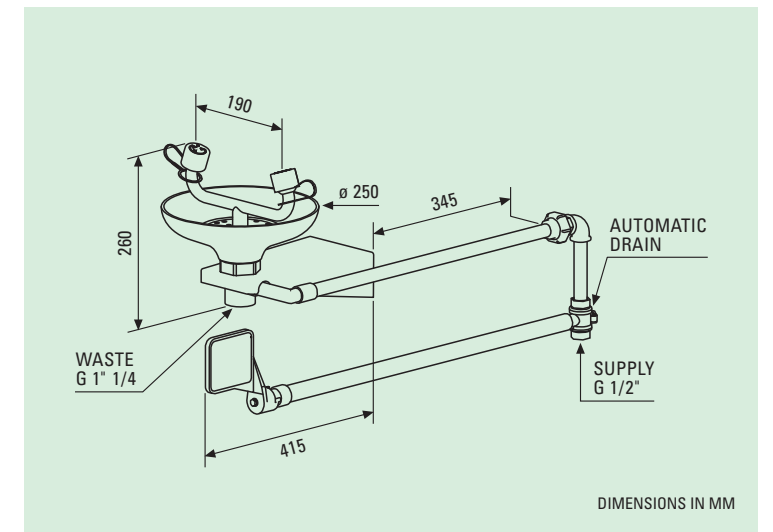
MOD. 1110 FP



MOD. 2210 FP



DIMENSIONS IN MM



DIMENSIONS IN MM

USE

In outdoor facilities with extreme low or high temperatures. The operation of Decontamination Booths is completed when a person enters the platform. The equipment uses underground valves with automatic drains. When standing on the platform the water enters the supply pipe to the Shower or Eyewash. When exiting after use, the residual water drains via the automatic drain valve thus preventing the system from freezing.

GENERAL FEATURES

MATERIALS Galvanized steel piping. Brass fittings.

COATING Anti-corrosive polyamide 11 in high-visibility yellow.

WATER INLET G 1/2" BSP or G 1" 1/4 BSP.

WATER INLET PRESSURE Recommended 2 bar. Minimum 1.5 bar. Maximum 8 bar.

PLATFORM VALVE 1" 1/4, automatic opening and closing, automatic drain.

SHOWER/EYEWASH OPERATION Pull lever handle, push handle or platform.

SHOWER VALVE Full bore 1" or 1" 1/4, regulated at 110 l/min, instant opening and manual closing, automatic drain.

EYEWASH HEADS Two high-flow aerated water spray heads at low pressure with automatic opening anti-dust cover.

EYEWASH VALVE Full bore 1/2", regulated at 22 l/min, instant opening and manual closing, automatic drain

INSTALLATION Height assembly see pag. 42.

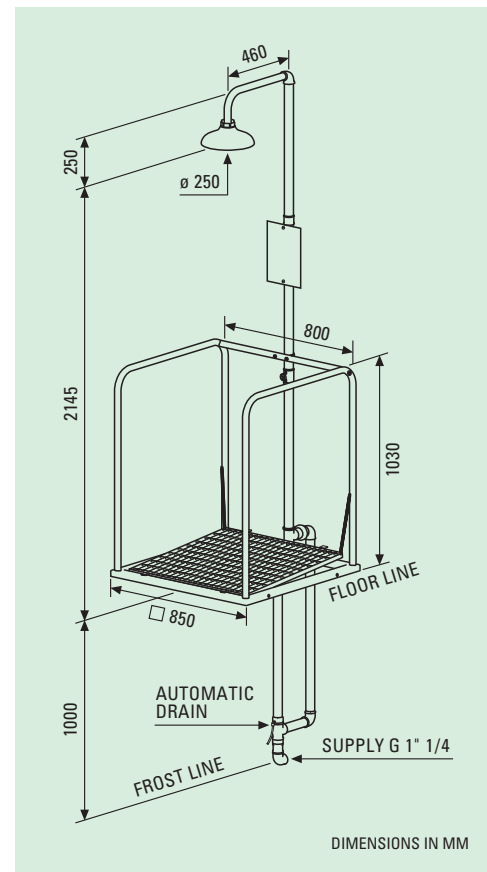
THE UPDATE OF OUR MODELS IS ON THE WEBSITE www.carlosarboles.com



MOD. 4710 FP

UNDERGROUND PLATFORM

| MODELS | SHOWER HEAD ABS | SHOWER HEAD STAINLESS STEEL | DESCRIPTION |
|---------|-----------------|-----------------------------|--|
| 4710 FP | 4710 FP/SS | | SHOWER PLATFORM |
| 4720 FP | 4720 FP/SS | | EMERGENCY SHOWER AND EYEWASH PLATFORM SIMULTANEOUS OPERATION |
| 4730 FP | 4730 FP/SS | | EMERGENCY SHOWER AND EYEWASH PLATFORM INDEPENDENT OPERATION |
| 4750 FP | | | EYEWASH PLATFORM WITHOUT BOWL |
| 4810 FP | | | PLATFORM WITH 14 SPRAYS |



MOD. 4223 FP



MOD. 4222 FP

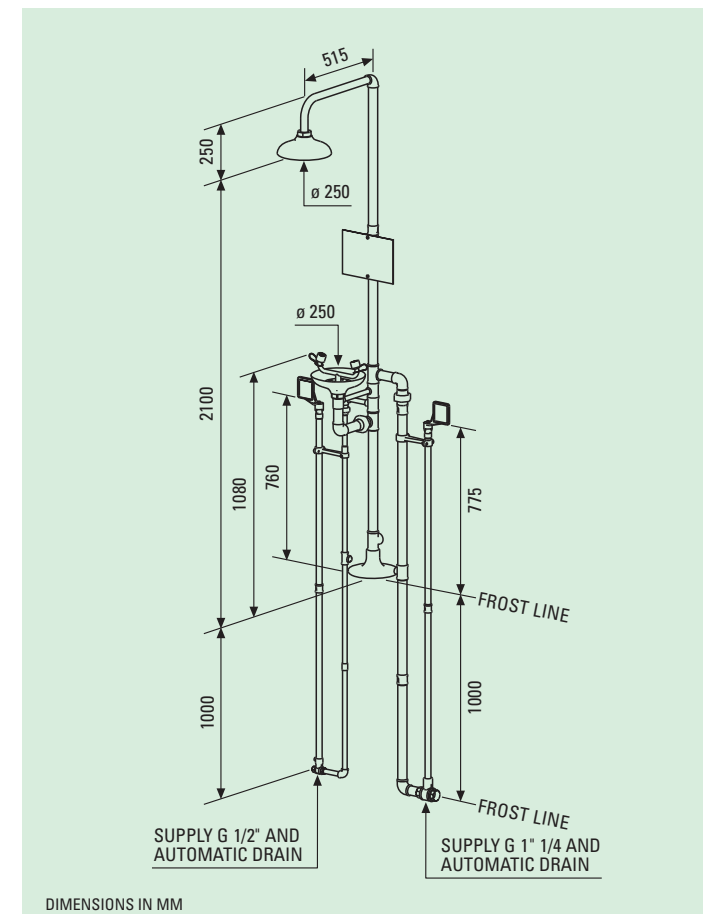
UNDERGROUND FLOOR MOUNTING

MODEL 4222 FP
TEMPERATURE PROTECTION SHOWER/EYEWASH BOWL ABS, SIMULTANEOUS OPERATION

MODEL 4222 FP/SS
TEMPERATURE PROTECTION SHOWER/EYEWASH STAINLESS STEEL, SIMULTANEOUS OPERATION

MODEL 4223 FP
TEMPERATURE PROTECTION SHOWER/EYEWASH BOWL ABS, INDEPENDENT OPERATION

MODEL 4223 FP/SS
TEMPERATURE PROTECTION SHOWER/EYEWASH STAINLESS STEEL, INDEPENDENT OPERATION



USE

Overhead Tank Showers are designed for remote location with inadequate water supply providing necessary water by gravity up to 15 min. according to standard.
In addition for extreme temperatures environment (hot/freeze conditions) are designed Underground Tank Showers. After use, pipes remain empty preventing the system from heat and freezing. Therefore, expensive chiller and heating systems are not required.

GENERAL FEATURES OVERHEAD TANK

- MATERIALS** Tank, structure & piping in stainless steel.
- TANK CAPACITY** 1500 L.
- WATER FILLING** G 1" BSP.
- OVERFLOW INTEGRATED**
- SHOWER OPERATION** Pull handle.
- EYEWASH OPERATION** Push handle.

GENERAL FEATURES UNDERGROUND TANK

- MATERIALS** Tank in polyethylene, shower platform in galvanized steel piping with anti-corrosive polyamide 11 coating. Brass fittings.
- TANK CAPACITY** 2000 L.
- ADJUSTABLE DOME SHAFT**
- WATER FILLING** Large oval lid, safe to walk on.
- ELECTRICAL** Submersible pump 230V 1.5Kw. Control box 230V /24V with platform limit switch.

THE UPDATE OF OUR MODELS IS ON THE WEBSITE www.carlosarboles.com



MOD. 4820 TI/TS

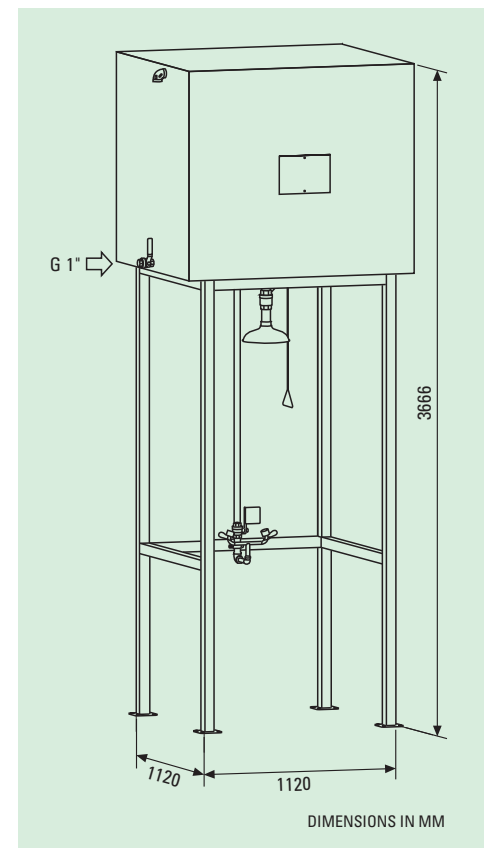
OVERHEAD TANK

MODELS

- 4820 TI/TS** EMERGENCY SHOWER AND EYEWASH WITH OVERHEAD TANK
- 4830 TI/TS** EMERGENCY SHOWER WITH OVERHEAD TANK

OPTIONS

- MODEL 196001** INLET FLOAT VALVE FOR AUTOMATIC TANK FILLING
- MODEL 196002** VISUAL SIDE INDICATOR OF TANK LEVEL
- MODEL 196003** ELECTRIC HEATER WITH ADJUSTABLE THERMOSTAT FOR COLD WEATHER (T<15° C)
- MODEL 196004** THERMAL INSULATION FOR HOT (T>37° C) OR COLD (T<15° C) WEATHER
- MODEL 196005** EYEWASH ACTIVATION SWITCH TO SEND SIGNAL TO CONTROL ROOM
- MODEL 196006** SHOWER ACTIVATION SWITCH TO SEND SIGNAL TO CONTROL ROOM



DIMENSIONS IN MM

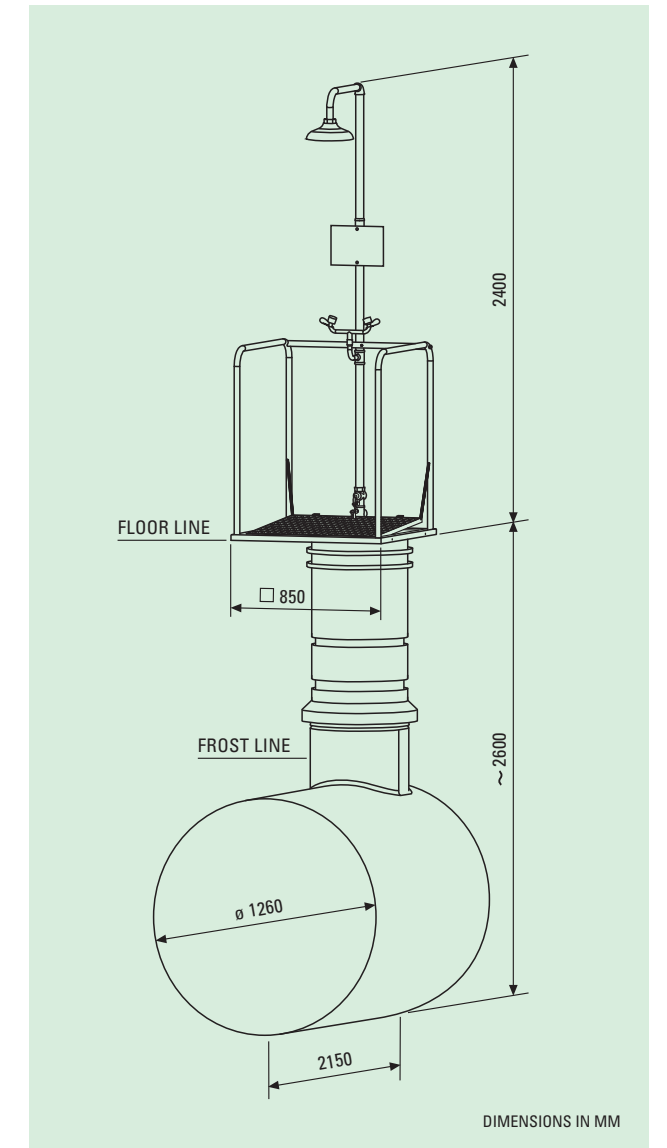


MOD. 4720 TS/FP

UNDERGROUND TANK

MODELS

- 4710 TS/FP** SHOWER PLATFORM WITH UNDERGROUND TANK
- 4720 TS/FP** SHOWER/EYEWASH PLATFORM WITH UNDERGROUND TANK, SIMULTANEOUS OPERATION
- 4730 TS/FP** SHOWER/EYEWASH PLATFORM WITH UNDERGROUND TANK, INDEPENDENT OPERATION



DIMENSIONS IN MM

TEMPERED WATER

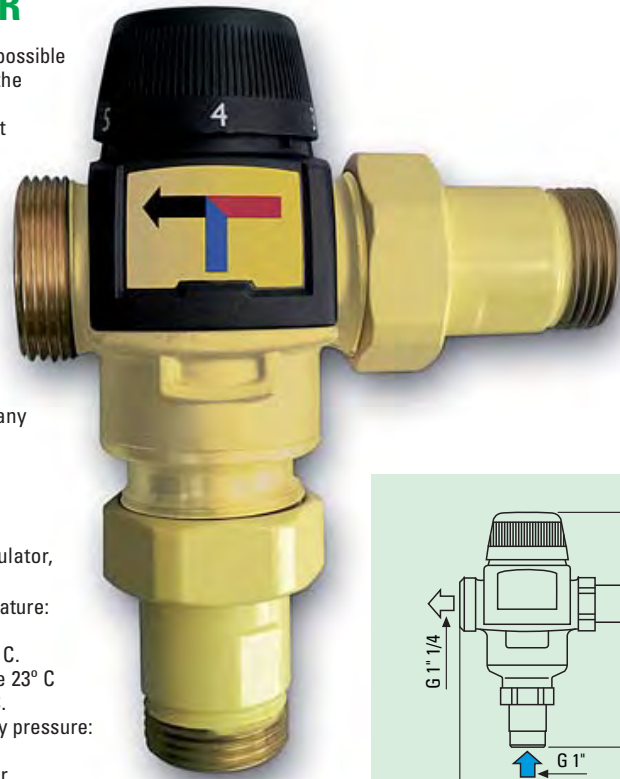
In order to avoid thermal shock it is possible to include a thermostatic mixer in the Shower and Eyewash, specifically designed for Emergency Equipment that supply tempered water. Standards recommends temperatures between 15° C - 37° C.

The valve mixes cold and hot water inlets to deliver tepid water at the desired temperature. On failure of hot water supply, internal cold water by-pass delivers cold water supply. On failure of cold water supply, hot water is shut down to prevent any damage on the user.

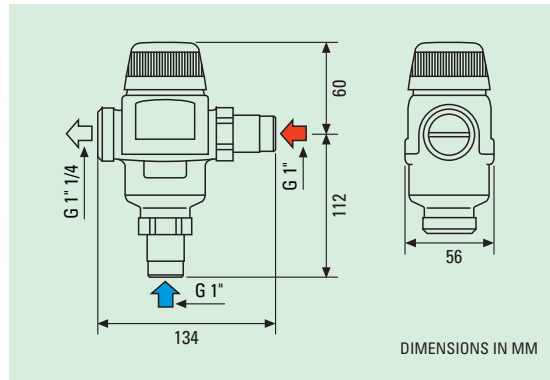
SPECIFICATIONS

MODEL 195120

- Adjustable temperature knob regulator, from 20 to 43° C.
- Maximum hot water supply temperature: 100° C.
For optimum performance, 50-70° C.
Maximum cold water temperature 23° C for optimum performance, 5-10° C.
- Minimum hot and cold water supply pressure: 2 bar. Recommended 3 bar.
Maximum supply pressure is 8 bar.
- G 1" male connections with check valves.
- Cold water by-pass flow rate 105 lpm at 2 bar.
- Tempered water flow rate 122 l/min at 2 bar.



MODEL 195120
THERMOSTATIC SAFETY VALVE 100



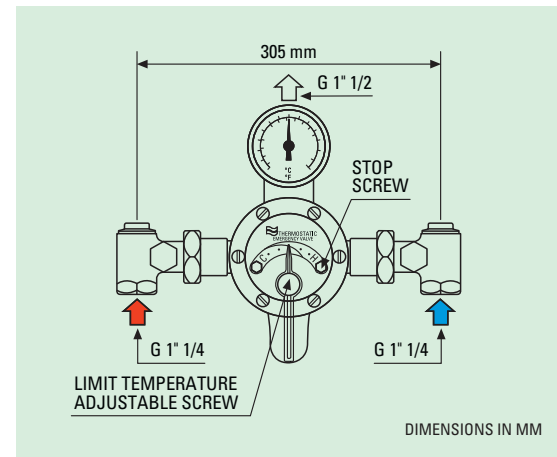
SPECIFICATIONS

MODEL 195020

- Adjustable temperature regulator set for 29° C, high temperature limit stop set for 32° C.
- Thermometer display.
- Recommended hot inlet temperature, 60° C.



- Minimum hot and cold water supply pressure: 2 bar.
Maximum supply pressure is 8 bar.
- G 1" 1/4 male connections with check valves.
- Cold water by-pass flow rate 105 lpm at 2 bar.
- Tempered water flow rate 350 l/min at 2 bar for multiple Showers/Eyewash.



MODEL 195020
THERMOSTATIC SAFETY VALVE 150

TEMPERATURE PROTECTION

Thermal actuated valves continually sense the water and the ambient temperature and automatically bleed the Shower/Eyewash systems to establish flow until the over temperature water is eliminated.

Operation: When the temperature exceeds safe limits, the thermal actuator modulates the valve open. A small quantity of water from the pipe system flows through the valve until the makeup water temperature returns to the safe range.

SPECIFICATIONS

Body and valves in stainless steel and actuator in brass.
Supply and waste 1/2".

MODEL 195110

- Freeze protection valve
- Nominal pressure 2 bar.
- Maximum working pressure 8 bar.
- Temperature of maximum opening 2° C.
- Full close temperature 7° C.

MODEL 195112

- Scald protection valve
- Nominal pressure 2 bar.
- Maximum working pressure 8 bar.
- Temperature of maximum opening 37° C.
- Full close temperature 29° C.



MODEL 195110
FREEZE PROOF VALVE

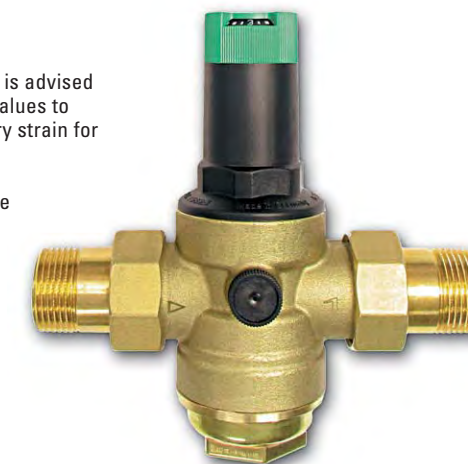


MODEL 195112
ANTI SCALD VALVE

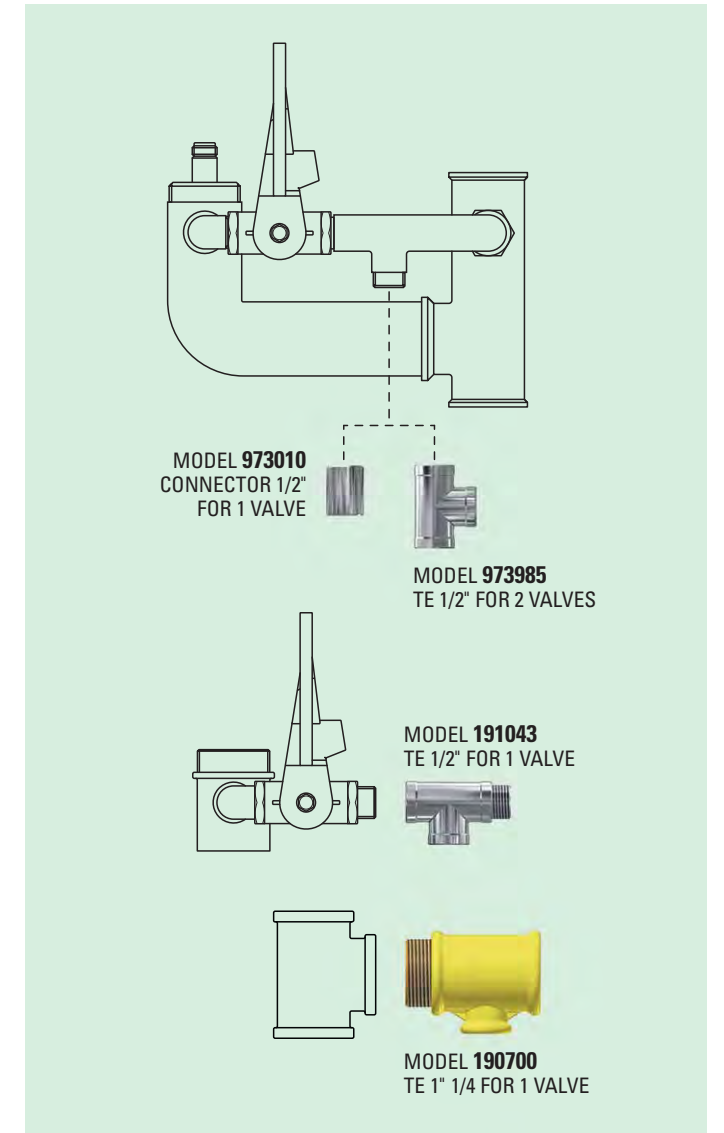
PRESSURE PROTECTION

For optimum usage of the Emergency Equipment it is advised to maintain water pressure under recommended values to avoid premature wear of components, unnecessary strain for users and damage to the installation.

For pressures above 4 bar or 8 bar depending on equipment it is recommended the use of a pressure reduction valve.

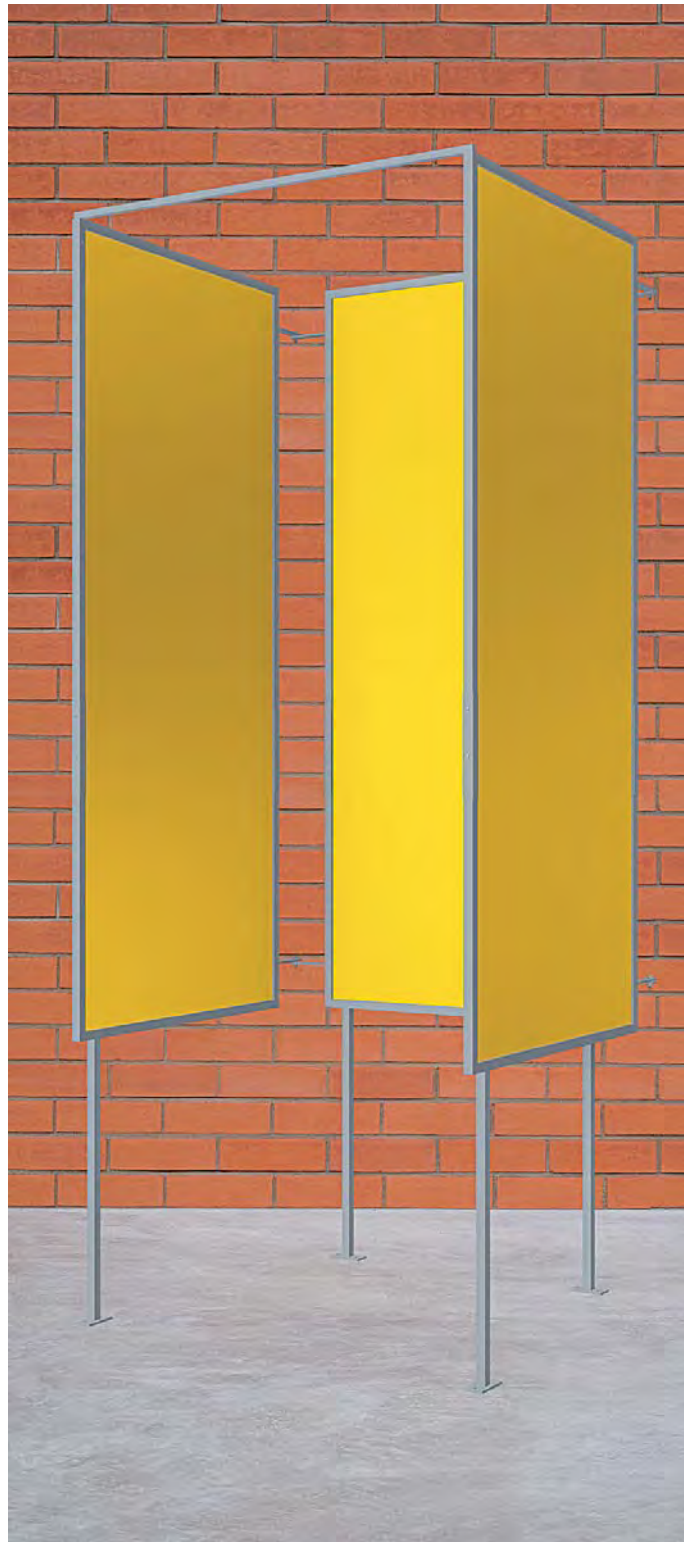


MODEL 950250
PRESSURE REDUCTION VALVE FOR MAX. INLET PRESSURE 25 BAR AND WITH OUTLET ADJUSTED PRESSURE 3 BAR



BOOTH STRUCTURE

Made from coated steel to be fastened on the floor.
The three sides are closed by PMMA panels in high-visibility yellow.
The structure reduces the thermal shock, and protects from the wind and cold.



MODEL **194740**
STRUCTURE FOR DECONTAMINATION BOOTH AND PLATFORM SHOWERS

SHOWER PLATFORM

Accessory to activate all to the platform Showers, models 1120 - 4220 - 4230 - 4250 - 4260, and close the Shower by a lever.



MODEL **194900**
SHOWER PLATFORM
FOR MODELS 1120 - 4220 - 4230 - 4250 - 4260

SHOWER TEST

Essential for flow control of the Emergency Shower Stations.
Made of plastified PVC.



MODEL **195003**
TEST FOR SHOWER



MODEL **190121**
WALL SUPPORT MODEL 1110

ALARM

Visual and audible alarm is activated when the water flows through the piping while the Emergency Equipment is in use.
Optionally, it send an operation signal to the control or emergency room of the facility.
Installation must be carried out by qualified personnel.
WATER SUPPLY PRESSURE Optimum 2 bar. Minimum 1,5 bar. Maximum 8 bar.



KIT ALARMA



ALARM KIT FOR NON EXPLOSIVES ATMOSPHERES

220-240 VAC 50/60 Hz (Schuko connection).
IP43 Protection.
FLOWSWITCH
• Max swichting voltage 230 VAC, 48 VDC.
• Max swichting current 1 A.
• Connecting cable lenht 1.5 m, 2 x 1 mm 2.
VISUAL AND AUDIBLE ALARM
• Orange flashing light 110 flash/min.
• Continous sound 92 db.

MODEL **195030**
ALARM KIT FOR SAFE AREAS

MODEL **190614**
FLOWSWITCH FOR SAFE AREAS

ALARM KIT FOR EXPLOSIVES ATMOSPHERES

220-240 VAC 50/60 Hz.
Group II, Zone 1, Category 2G.
Other classifications available upon request.

FLOWSWITCH
• Max swichting voltage 250 VAC/VDC.
• Max swichting current 5 A AC/1 A DC.
VISUAL ALARM
• Orange flashing light up to configurable 120 flash/min.
AUDIBLE ALARM
• Continous sound, regulable 90-110 db.

MODEL **195040**
ALARM KIT FOR EXPLOSIVE ATMOSPHERES

MODEL **950634**
FLOWSWITCH FOR EXPLOSIVE ATMOSPHERES

THE UPDATE OF OUR MODELS
IS ON THE WEBSITE
www.carlosarboles.com

EMERGENCY SHOWER AND EYEWASH

The following are the basic installation standards for Emergency Equipment.

INSTALLATION

EMERGENCY EQUIPMENT LOCATION

The location of Emergency Equipment should comply with the following conditions:

- It should be installed in places that are highly-visible and easily accessed from at least in three directions.
- It should be installed in those areas where there is danger, and should not be more than 10 seconds away from the area where accidents can occur. Where there is an immediate risk from concentrated chemicals, equipment should be adjacent to the risk.
- It should be placed at the same level as the source of danger, without any obstruction in the path to the Emergency Equipment, such as doors, trip hazards, steps or matting, etc..

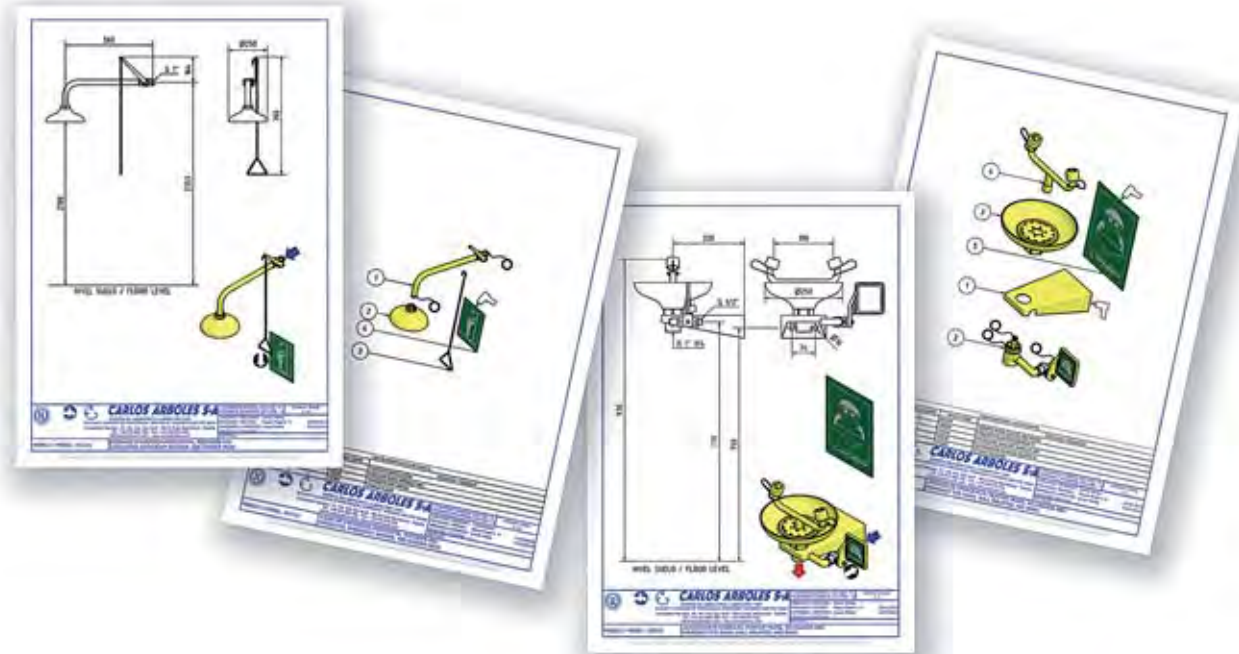
ASSEMBLY

It is recommended to assemble the Emergency Equipment as indicated by the assembly drawing. The necessary means are as follows:

- Pipe sealings.
- Tools to fasten the equipment to the surface.

It is recommended to install the Emergency Showers that are not fastened to the ground at a height where the spray head is between 210 and 230 cm above the level where the user will stand.

It is recommended to install the Emergency Eyewashes that are not fastened to the ground at a height where the output nozzles of the Eyewashes are between 90 and 110 cm above the level where the user will stand.



WATER SUPPLY

The water supply to the Emergency Equipment should comply with the following conditions:

- It should be supplied from the main or the emergency piping. The diameter of the supply tube should be at least G 1" BSP.
- An inlet pressure of 2 bar is recommended for the Emergency Equipment. For correct operation, the minimum pressure is 1.5 bar, and the maximum pressure is 4 bar or 8 bar depending on equipment.
- A water temperature between 15° C and 37° C is recommended.
- It is recommended to install a filter, as well as to drain the piping before installing the Emergency Equipment.
- Potable water, or of similar quality is required.
- Drainage system are recommend for Eyewash and floor drains for Showers in order to avoid hazard or slippery surfaces. After use waste water may be connected waste disposal system or neutralization tank.

OPERATION

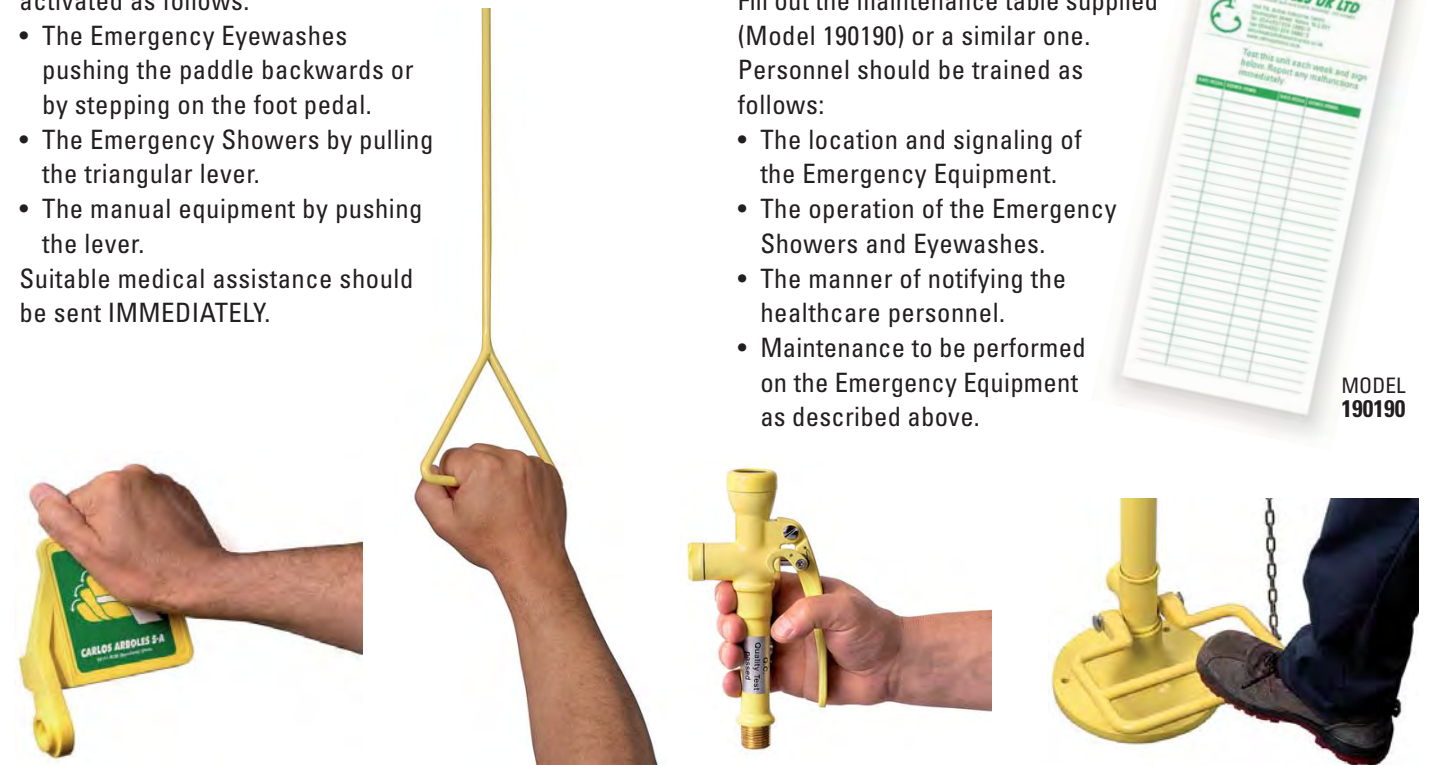
ACTIVATION

In case of accident, the injured person should shower or wash his/her eyes IMMEDIATELY for a minimum of 15 minutes.

The Emergency Equipment is quickly activated as follows:

- The Emergency Eyewashes pushing the paddle backwards or by stepping on the foot pedal.
- The Emergency Showers by pulling the triangular lever.
- The manual equipment by pushing the lever.

Suitable medical assistance should be sent IMMEDIATELY.



MAINTENANCE

MAINTENANCE AND TRAINING

The operation of the Emergency Showers and Eyewashes should be verified at least ONCE a week in order to guarantee the water supply and to prevent the proliferation of microbes.

Fill out the maintenance table supplied (Model 190190) or a similar one. Personnel should be trained as follows:

- The location and signaling of the Emergency Equipment.
- The operation of the Emergency Showers and Eyewashes.
- The manner of notifying the healthcare personnel.
- Maintenance to be performed on the Emergency Equipment as described above.



MODEL 190190

SIGNS

PLATES

Each piece of equipment that we manufacture is provided with a plate or sign to signal the unit (except in the table assembly models). The plates are photoluminescent, with a green background, and white text.

Dimensions: 210 x 297 mm



MODEL 191004



MODEL 191005



MODEL 191006

We have a wide range of spare parts for all the Emergency Shower and Eyewashes models.

THE UPDATE OF OUR MODELS IS ON THE WEBSITE
www.carlosarboles.com

ASK ABOUT AVAILABILITY OF OTHER SPARE PARTS

SPARE PARTS



MODEL 190100
SHOWER HEAD ABS HIGH VISIBILITY YELLOW G 1"

MODEL 190112
SHOWER HEAD ABS HIGH VISIBILITY YELLOW G 1" 1/2



MODEL 192100
SHOWER HEAD STAINLESS STEEL G 1"

MODEL 192112
SHOWER HEAD STAINLESS STEEL G 1" 1/2



MODEL 190150
ABS HIGH VISIBILITY YELLOW BOWL



MODEL 191150
STAINLESS STEEL BOWL



MODEL 192148
DOUBLE EMERGENCY EYEWASH



MODEL 190131
COMPLETE FOOT CONTROL ASSEMBLY



MODEL 190123
EYEWASH HEAD COVER



MODEL 190145
EYEWASH VALVE G 1/2" BSP

MODEL 192145
EYEWASH VALVE G 1/2" BSP WITH DRAIN



MODEL 190135
EYEWASH HEAD



MODEL 190108
SHOWER VALVE G 1" BSP

MODEL 192108
SHOWER VALVE G 1" BSP WITH DRAIN



MODEL 190148
EMERGENCY EYEWASH



MODEL 190146
PUSH HANDLE PLASTIC

MODEL 193146
PUSH HANDLE ALUMINIUM



MODEL 190136
EYEWASH HEAD ASSEMBLY IN ABS

MODEL 193136
EYEWASH HEAD ASSEMBLY IN BRASS



MODEL 190106
SHOWER HANDLE



MODEL 191136
EYEWASH HEAD ASSEMBLY IN STAINLESS STEEL



MODEL 190400
SHOWER FP MODELS VALVE G 1" 1/4 BSP WITH DRAIN

MODEL 190401
EYEWASH FP MODELS VALVE G 1/2" BSP WITH DRAIN



MODEL 190125
EYEWASH BRACKET



MODEL 190109
WALL BRACKET



MODEL 190160
WALL BRACKET WITH WATER INLET



MODEL 190105
PULL ROD



1,5 M FLEXIBLE STAINLESS STEEL HOSE

MODEL 190149
FOR SINGLE EYEWASH

MODEL 190151
FOR DOUBLE EYEWASH



MODEL 190402
PLATFORM VALVE WITH DRAIN G 1" 1/4 BSP





DIRECTORY

| CODE | PAGE | CODE | PAGE | CODE | PAGE | CODE | PAGE |
|------------|------|------------|------|------------|------|--------|------|
| 1100 | 21 | 3820 | 14 | 4720 SS | 29 | 192100 | 44 |
| 1100 SS | 21 | 4220 | 8 | 4720 TI | 27 | 192108 | 44 |
| 1100 TI | 25 | 4220 SS | 8 | 4720 TS/FP | 37 | 192112 | 44 |
| 1110 | 21 | 4220 TI | 24 | 4730 | 29 | 192145 | 44 |
| 1110 FP | 33 | 4221 | 11 | 4730 FP | 34 | 192148 | 44 |
| 1110 FP/SS | 33 | 4221 SS | 11 | 4730 FP/SS | 34 | 193136 | 44 |
| 1110 SS | 21 | 4222 FP | 35 | 4730 SS | 29 | 193146 | 44 |
| 1110 TI | 25 | 4222 FP/SS | 35 | 4730 TS/FP | 37 | 194740 | 40 |
| 1120 | 20 | 4223 FP | 35 | 4730 TI | 27 | 194900 | 40 |
| 1120 FP | 32 | 4223 FP/SS | 35 | 4750 | 28 | 195003 | 41 |
| 1120 FP/SS | 32 | 4225 | 11 | 4750 FP | 34 | 195020 | 38 |
| 1120 SS | 20 | 4225 SS | 11 | 4750 SS | 28 | 195030 | 41 |
| 1120 TI | 25 | 4230 | 8 | 4750 TI | 27 | 195040 | 41 |
| 1141 | 22 | 4230 SS | 8 | 4810 | 31 | 195110 | 39 |
| 1141 SS | 22 | 4250 | 9 | 4810 FP | 34 | 195112 | 39 |
| 1142 | 22 | 4250 SS | 9 | 4820 TI/TS | 36 | 195120 | 38 |
| 1142 SS | 22 | 4250 TI | 24 | 4830 TI/TS | 36 | 196001 | 36 |
| 1275 | 23 | 4252 | 30 | 190030 | 18 | 196002 | 36 |
| 1275 SS | 23 | 4252 SS | 30 | 190100 | 44 | 196003 | 36 |
| 2210 | 14 | 4253 | 30 | 190105 | 44 | 196004 | 36 |
| 2210 FP | 33 | 4253 SS | 30 | 190106 | 44 | 196005 | 36 |
| 2210 FP/SS | 33 | 4255 | 9 | 190108 | 44 | 196006 | 36 |
| 2210 SS | 14 | 4255 SS | 9 | 190109 | 44 | 950250 | 39 |
| 2210 TI | 26 | 4260 | 10 | 190112 | 44 | 950634 | 41 |
| 2212 | 16 | 4260 SS | 10 | 190121 | 41 | 973010 | 39 |
| 2212 SS | 16 | 4260 TI | 24 | 190123 | 44 | 973985 | 39 |
| 2215 SS | 16 | 4275 | 13 | 190125 | 44 | | |
| 2220 | 15 | 4275 SS | 13 | 190131 | 44 | | |
| 2220 FP | 32 | 4280 | 12 | 190135 | 44 | | |
| 2220 SS | 15 | 4280 SS | 12 | 190136 | 44 | | |
| 2220 TI | 26 | 4285 | 12 | 190145 | 44 | | |
| 2230 | 14 | 4285 SS | 12 | 190146 | 44 | | |
| 2230 SS | 14 | 4285 TI | 24 | 190148 | 44 | | |
| 2240 | 15 | 4290 | 12 | 190149 | 44 | | |
| 2240 SS | 15 | 4290 SS | 12 | 190150 | 44 | | |
| 2275 | 19 | 4295 | 12 | 190151 | 44 | | |
| 2710 | 15 | 4295 SS | 12 | 190160 | 44 | | |
| 2710 SS | 15 | 4700 | 28 | 190190 | 43 | | |
| 2710 TI | 26 | 4700 SS | 28 | 190400 | 44 | | |
| 3000 | 18 | 4700 TI | 27 | 190401 | 44 | | |
| 3100 | 18 | 4710 | 31 | 190402 | 44 | | |
| 3110 | 18 | 4710 FP | 34 | 190614 | 41 | | |
| 3120 | 18 | 4710 FP/SS | 34 | 190700 | 39 | | |
| 3130 | 18 | 4710 SS | 31 | 191004 | 43 | | |
| 3500 | 16 | 4710 TI | 27 | 191005 | 43 | | |
| 3510 | 14 | 4710 TS/FP | 37 | 191006 | 43 | | |
| 3510 TI | 26 | 4720 | 29 | 191043 | 39 | | |
| 3620 | 16 | 4720 FP | 34 | 191136 | 44 | | |
| 3720 | 16 | 4720 FP/SS | 34 | 191150 | 44 | | |





CGE.UK.2018

CARLOS ARBOLES S.A

LABORATORY TAPS AND SAFETY SHOWERS - EYEWASHES

HEAD OFFICE

Compositor Narvaez, 10 P. I. CAN JARDI
08191 RUBI (Barcelona) SPAIN
Telephone +34 935 860 780
Fax +34 936 973 226
info@carlosarboles.com

ARBOLES UK LTD

LABORATORY TAPS AND SAFETY SHOWERS - EYEWASHES

Unit 56, Evans Business Centre,
Manchester Road, Bolton, BL3 2NZ
Tel. 0044(0)1204 388814
Fax 0044(0)1204 388813
sales@arboles.co.uk

DISTRIBUTOR: Finland

Labralvi

Ratkaisu jokaiseen laboratorioon

info@labralvi.fi
+358 400 164 594

www.carlosarboles.com

© copyright 2018 CARLOS ARBOLES S.A

JORGE CORTINA NAVARRO
COMUNICACION INTEGRAL