

CAST IRON PIPELINE Y STRAINERS IS16F

DESCRIPTION

The IS16F cast iron Y strainers are applicable to all types of steam, water, oil and air systems.

Their purpose is to protect steam traps, regulating valves, piping, etc. from dirt which is often the cause of damage and consequent energy loss of fluid systems.

Connections are flanged.

OPTIONS: Different screen aperture sizes.
Drain plug or drain valve in strainer cap.

USE: Saturated steam, water, oil, air and other compatible fluids.

AVAILABLE MODELS: IS16F.

SIZES: DN 15 to DN 300.

SCREENS: 1 mm aperture up to DN 50.
1,25 mm aperture from DN 65 to DN 80.
1,6 mm aperture from DN 100 to DN 300.

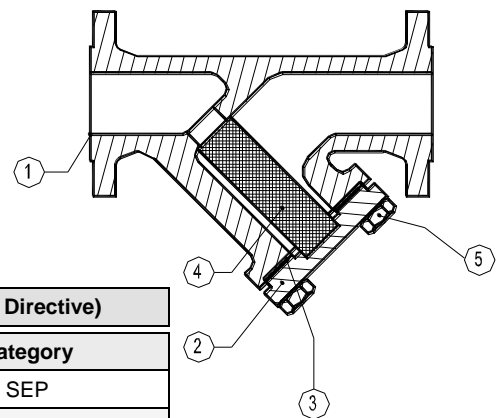
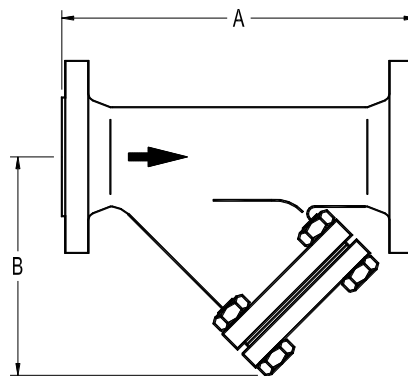
CONNECTIONS: Flanged EN 1092-2 PN16.

INSTALLATION: Horizontal or vertical downstream installation.
See IMI – Installation and maintenance instructions.



LIMITING CONDITIONS	
ALLOWABLE PRESSURES	RELATED TEMPERATURE
16 bar	-10 / 120 °C
12,8 bar	200 °C
11,2 bar	250 °C
9,6 bar	300 °C

DIMENSIONS – VALVE BODY			
DN	A (mm)	B (mm)	WGT. (kg)
15	130	75	2,4
20	150	75	3
25	160	90	3,8
32	180	90	5,2
40	200	110	6,8
50	230	120	9
65	290	140	11,8
80	310	165	16,8
100	350	220	25,2
125	400	260	37
150	480	300	58
200	600	360	112
250	730	470	162
300	850	560	195



MATERIALS		
POS. Nº	DESIGNATION	MATERIAL
1	Body	GJL-250 / 0.6025
2	Cap	GJL-250 / 0.6025
3	* Gasket	St. steel / Graphite
4	* Strainer screen	AISI 304 / 1.4301
5	Bolts	Steel 8.8

CE MARKING (PED – European Directive)	
PN16	Category
DN 15 to DN 50	SEP
DN 65 to DN 200	1 (CE marked)
DN 250 to DN 300	2 (CE marked)

* Available spare parts.