

HYGIENIC STEAM FILTER ISH10I

DESCRIPTION

The ISH10I high efficiency filters are used to remove contaminated particles from gases such as steam and compressed air.

The optimized construction of these units offers low differential pressure at high flow rates.

All sizes are built in two halves and are joined by a sanitary clamp ferrule according to DIN 32676 Series A.

The filter elements (replaceable) are made of sintered austenitic stainless steel.

MAIN FEATURES

Several retention rates available.

Good durability against aggressive gases.

Porosity level is more than 50% ensuring high particle and dirt load capacity as well as good flow rate at a low differential pressure.

Regeneration by ultrasonic bath.

STANDARD SURFACE FINISH

Internal wetted parts: $\leq 0,51$ micron Ra – SF1.

External: $\leq 0,76$ micron Ra – SF3.

Other surface conditions see IS PV20.00 E – Technical information.

Ultrasonic cleaning.

OPTIONS:

Different kinds of connections and dimensions.
Air vent and condensate drain connections.
Vertical installation design.

USE:

Steam, compressed air and other gases (Group 2).

AVAILABLE MODELS:

ISH10I – 1.4404 (AISI 316L).

RETENTION RATES:

1, 5 and 25 micron.

SIZES:

1/2" to 2".
DN 10 to DN 50.

PIPE CONNECTIONS:

Sanitary clamp ferrules.
Welded ends, threaded, flanged DIN or ANSI on request.

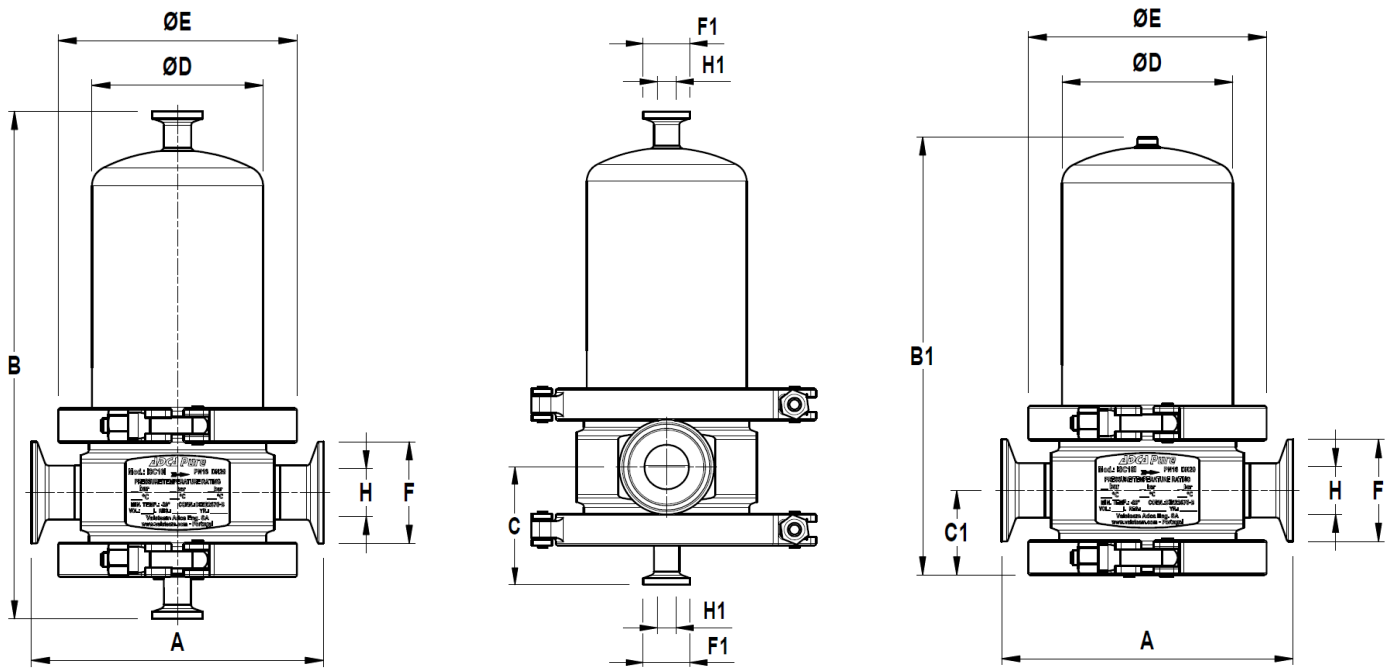
INSTALLATION:

Horizontal installation always with the drain connection pointing downwards. See IMI, installation and maintenance instructions.



Optional:
ISV10I – Vertical inlet/outlet

CE MARKING (PED – European Directive)	
Ps 16 bar	Category
1/4" to 2"L ; DN 10 to DN 50L	SEP
2"H ; DN 50H	1 (CE marked)



DIMENSIONS (mm) ASME BPE

SIZE a)	A	B	B1	C	C1	D	E	F	F1	H	H1	VOL. * (L)	WGT. ** (kg)
1/2"	140	204	154	55	34	70	104	25	25	9,4	9,4	0,31	3,3
3/4"	140	237	187	58	37	70	104	25	25	15,75	9,4	0,37	3,6
1"	159	272	222	63	42	85	119	50,5	25	22,1	9,4	0,84	5,3
1 1/2"	161	344	295	70	49	85	119	50,5	25	34,8	9,4	1,22	6,3
2"L	174	418	369	73	52	104	134	64	25	47,5	9,4	2,15	7,9
2"H	174	545	496	73	52	104	134	64	25	47,5	9,4	3,56	8,7

DIMENSIONS (mm) DIN

SIZE DN a)	A	B	B1	C	C1	D	E	F	F1	H	H1	VOL. * (L)	WGT. ** (kg)
10	140	204	154	55	34	70	104	34	34	10	10	0,31	3,4
15	140	237	187	58	37	70	104	34	34	16	10	0,37	3,7
20	159	272	222	63	42	85	119	34	34	20	10	0,8	5,2
25	174	272	222	63	42	85	119	50,5	34	26	10	0,81	5,2
32	176	344	295	70	49	85	119	50,5	34	32	10	1,19	6,4
40	189	344	295	73	52	104	134	50,5	34	38	10	1,64	7,6
50L	189	418	369	73	52	104	134	64	34	50	10	2,32	7,8
50H	189	545	496	73	52	104	134	64	34	50	10	3,64	8,6

Clamp ferrules DIN 32676 Series A (for pipes DIN 11866 Series A – DIN 11850 Series 2).

DIMENSIONS (mm) ISO

SIZE DN a)	A	B	B1	C	C1	D	E	F	F1	H	H1	VOL. * (L)	WGT. ** (kg)
8	140	204	155	55	34	70	104	25	25	10,3	10,3	0,35	3,3
10	140	237	187	55	34	70	104	25	25	14	10,3	0,45	3,5
15	140	242	192	58	37	70	104	50,5	25	18,1	10,3	0,46	3,7
20	145	272	222	63	42	85	119	50,5	25	23,7	10,3	0,85	5,1
25	145	282	232	63	42	85	119	50,5	25	29,7	10,3	0,89	5,1
32	147	344	294	70	49	85	119	64	25	38,4	10,3	1,26	6,3
40	160	344	295	73	52	104	134	64	25	44,3	10,3	1,95	7,6
50L	173	433	384	78	57	104	134	77,5	25	56,3	10,3	2,69	8,4
50H	173	560	511	78	57	104	134	77,5	25	56,3	10,3	3,71	9,2

Clamp ferrules DIN 32676 Series B (for pipe DIN 11866 Series B – DIN 1127 Series 1).

Larger sizes on request. Consult factory for certified dimensions. Dimensions subject to change without notice.

a) Suffix "L" corresponds to low capacity design. Suffix "H" corresponds to high capacity.

STEAM FILTER DATA INQUIRY	
Steam flow rate	kg/h
Saturated steam operating pressure	bar
Allowable pressure drop (0,07 bar max. recommended)	bar
Pipe size	DN
Pipe connections	BPE Clamp ferrules, etc.
Filter element retention rate	1, 5 or 25 micron

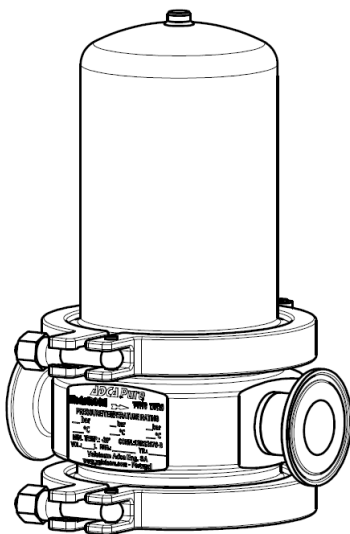
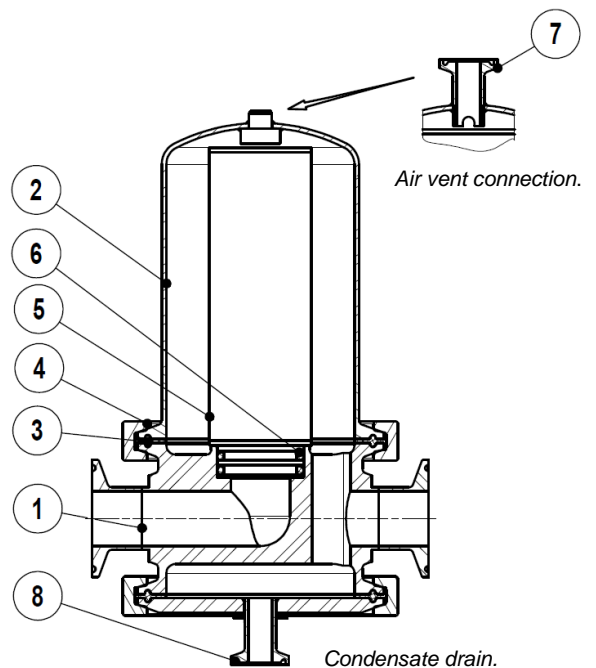
LIMITING CONDITIONS		
Maximum allowable pressure	1/2" to 2"	16 bar
	DN 10 to 50	
Maximum allowable temperature		200 °C
Minimum allowable temperature		- 20 °C
Maximum operating pressure	EPM	8,5 bar @ 178 °C
	FLUORAZ	10 bar @ 200 °C
Minimum operating temperature		0 °C
Maximum differential pressure		5 bar
Maximum cold hydraulic test pressure	1/2" to 2"	20,8 bar
	DN 10 to 50	

MATERIALS		
POS. N°	DESIGNATION	MATERIAL
1	Filter housing	AISI 316L / 1.4404
2	Filter housing cover	AISI 316L / 1.4404
3	*Seal	PTFE / TFM® Envelope gasket
4	Closing ring	AISI 304 / 1.4301
5	*Filter element	Sintered AISI 316L
	Filter end caps	AISI 304 / 1.4301
6	* Filter seal o-rings (2)	EPDM, EPM, FLUORAZ
7	Air vent connection	AISI 316L / 1.4404
8	Drain connection	AISI 316L / 1.4404

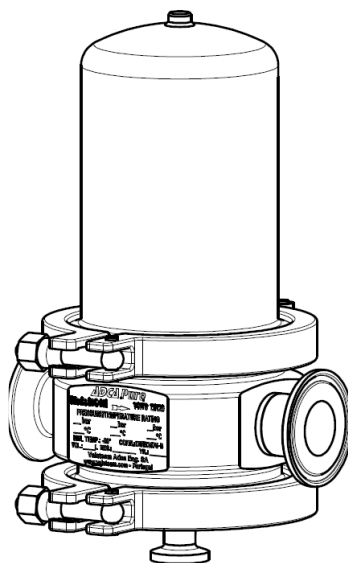
* Available spare parts.

FDA / USP Class VI seals certificates on request.

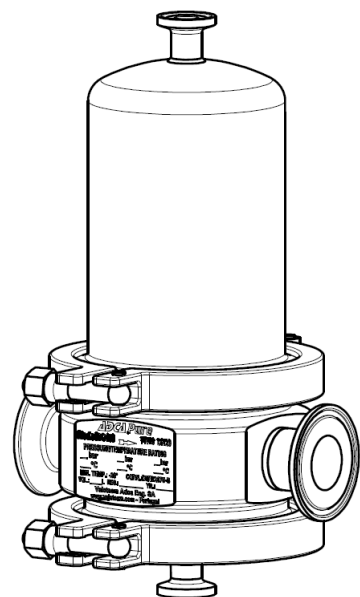
All filters have a serial number. In case of non-standard filtre this number must be supplied if spare parts are ordered.



Filter without bottom
drain and top vent.



Filter with condensate
drain for clean steam.



Filter with both air vent
and condensate drain
connection.

ORDERING CODES – ISH10I FILTER HOUSING									
Filter model	ISH10I	.	T	D	X	.	50L		
ISH10I Filter housing AISI 316L – 1.4404	ISH10I								
Housing seal material									
PTFE / TFM (Envelope gasket)			T						
Pipe connection									
Clamp ferrule ASME BPE				D					
Clamp ferrule DIN (DIN 32676-A)				F					
Clamp ferrule ISO (DIN 32676-B)				E					
Optional Connections									
Without vent and drain connection					X				
With condensate drain					1				
With condensate drain and vent					2				
Size									
1/4" or DN 08							08		
3/8" or DN 10							10		
1/2" or DN 15							15		
3/4" or DN 20							20		
...							...		
2"L or DN 50L							50L		
2"H or DN 50H							50H		
Special / Extras a)									E

a) Full description or additional codes have to be added in case of non-standard combination.

ORDERING CODES – FILTER ELEMENT									
Filter element model	ISFE	.	P	0310	.	01			
ISFE Filter element AISI 316L – 1.4404	ISFE								
Filter to housing sealing o-rings									
Without sealing o-rings			X						
EPDM (up to 180 °C)			E						
EPM (up to 180 °C)			P						
FLUORAZ (up to 200 °C)			F						
Filter size according to housing DN connection									
1/2" ASME BPE	DN 10 DIN	DN 08 ISO		0310					
/	/	DN 10 ISO		0410					
3/4" ASME BPE	DN 15 DIN	DN 15 ISO		0420					
1" ASME BPE	DN 20 DIN	DN 20 ISO		0520					
/	DN 25 DIN	DN 25 ISO		0525					
1 1/2" ASME BPE	DN 32 DIN	DN 32 ISO		0725					
/	DN 40 DIN	DN 40 ISO		0730					
2"L ASME BPE	DN 50 L DIN	DN 50 ISO		1030					
2"H ASME BPE	DN 50H DIN	DN 50H ISO		1530					
Retention rate									
1 micron							01		
5 micron							05		
25 micron							25		
Special / Extras b)									E

b) Full description or additional codes have to be added in case of non-standard combination.

Order example:

1 Adcapure filter housing ISH10I PTFE seals 2"L w/ clamp ferrules 2" ASME BPE Code: ISH10I.TDX.50L

1 ISFE filter element with 5 micron retention rate for the above mentioned filter Code: ISFE.P1030.05

Note: we recommend a second filter element as a spare part to ensure a minimum downtime when replacing the one in use after saturation.