

THREE PIECES BALL VALVES M3S1

DESCRIPTION

The M3S1 three pieces ball valves are isolating valves designed for use with steam, condensate and other gases and liquids compatible with the construction.

The valve is not designed as a control valve and should be used only as an isolating valve, fully open or fully closed.

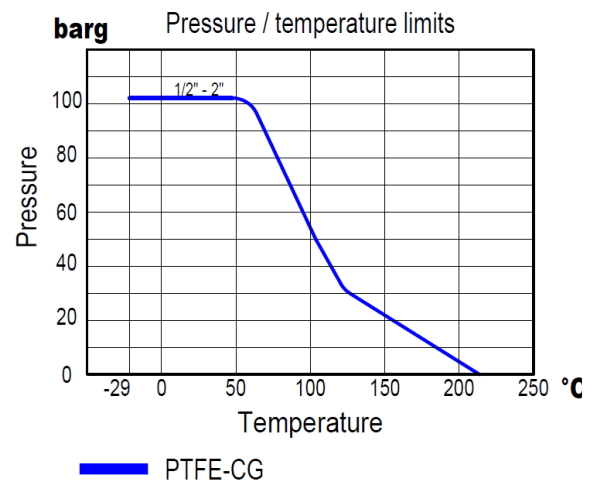


MAIN FEATURES

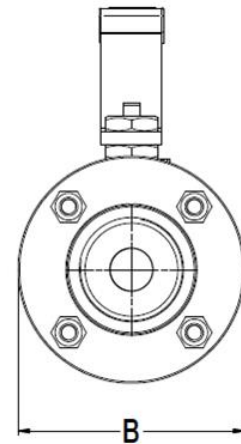
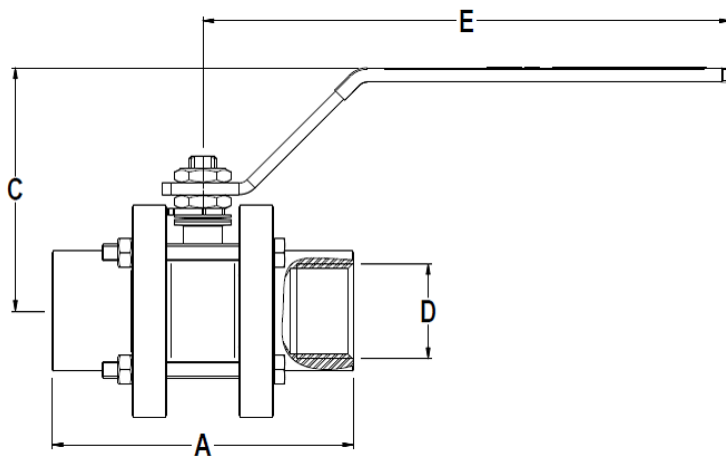
- Full bore floating ball design.
- Can be serviced without removal from pipeline.
- Bidirectional.
- Anti blow out proof stem.
- Antistatic device.

- OPTIONS:** Different sealing materials.
Fire safe design.
- USE:** Steam, gases and liquids compatible with the construction.
- AVAILABLE MODELS:** M3S1 – Zinc plated carbon steel.
- RATING:** PN100.
- SIZES:** 1/2" to 2".
- CONNECTIONS:** BSP female threads ISO 7/1 Rp (BS21).
NPT to ANSI B1.20.1.
SW - Socket weld to ANSI B16.11.
BW - Butt weld to ANSI B16.25.
- INSTALLATION:** See IMI – Installation and maintenance instructions.

CE MARKING – GROUP 2 (PED – European Directive)	
PN100	Category
1/2" to 1 1/4"	SEP
1 1/2" to 2"	1 (CE marked)



DIMENSIONS (mm)					
SIZE	A	B	C	E	WGT. (kg)
1/2"	80	60	75	145	0,7
3/4"	95	80	85	185	1,4
1"	105	90	85	185	2,2
1 1/4"	120	110	100	270	3,3
1 1/2"	130	120	110	270	4,3
2"	145	130	115	270	7,3



MATERIALS		
POS. Nº	DESIGNATION	MATERIAL
1	Body	ASTM A105 / 1.0432
2	Body cap	ASTM A105 / 1.0432
3	Stem	AISI 316 / 1.4401
4	Ball	AISI 304 / 1.4301
5	* Seat	** PTFE/GR
6	* Body gasket	PTFE/GR
7	* Stem gasket	PTFE/GR
8	Gland	AISI 304 / 1.4301
9	Lever	Zinc plated carbon steel
10	Gland nut	Steel 8.8 zinc plated
11	Washer springs	Spring steel
12	Stop plate	Zinc plated carbon steel
13	Stem o-ring	Viton
14	Anti-static device	AISI 304 / 1.4301
15	Bolts	Steel 8.8 zinc plated
16	Nuts	Steel 8.8 zinc plated

* Available spare parts.

** PTFE/GR – Carbon graphite reinforced PTFE.

