

## THREE PIECES BALL VALVES M3i1

### DESCRIPTION

The M3i1 series three pieces ball valves are isolating valves designed for use with steam, condensate and other gases and liquids compatible with the construction. The valve is not designed as a control valve and should be used only as an isolating valve, fully open or fully closed.

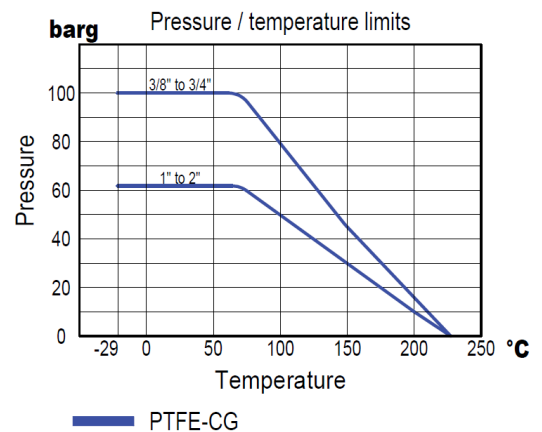
### MAIN FEATURES

Full bore floating ball design.  
Can be serviced without removal from pipeline.  
Bidirectional.  
Anti blow out stem.  
Antistatic device.

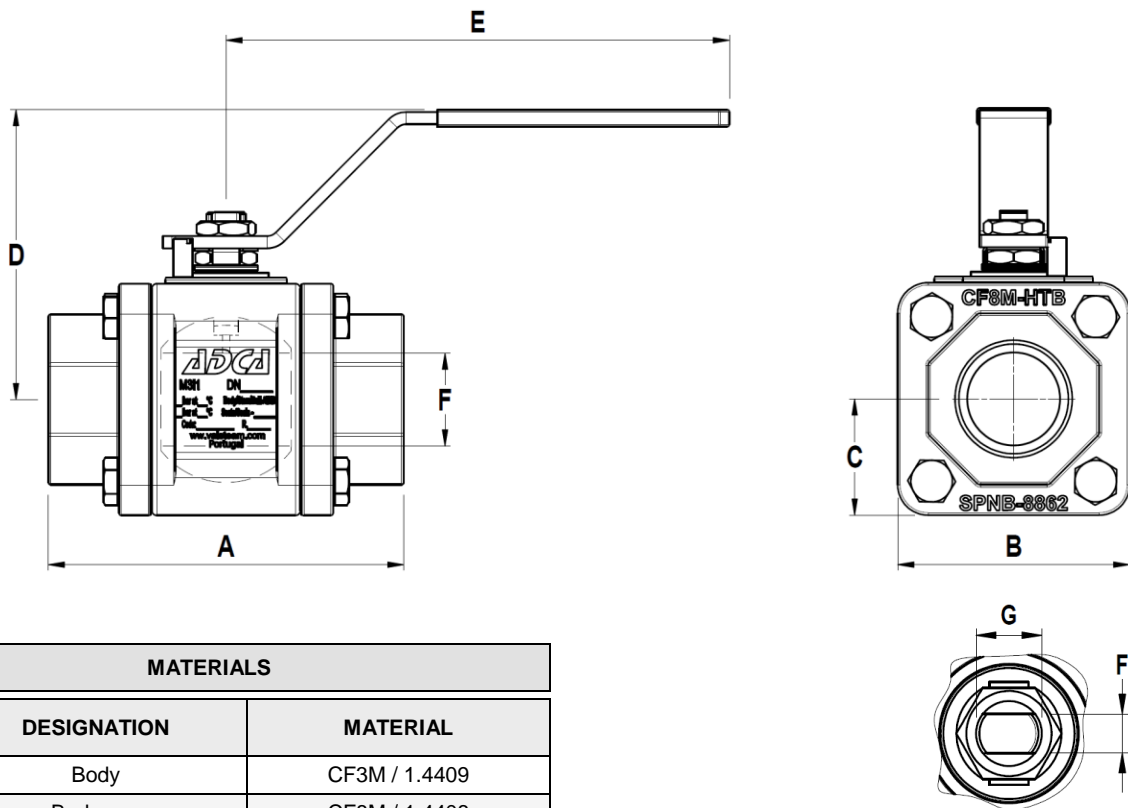


- OPTIONS:** Different sealing materials.
- USE:** Steam, gases and liquids compatible with the construction.
- AVAILABLE MODELS:** M3i1 – Stainless steel.
- RATING:** PN100.
- SIZES:** 3/8" to 2".
- CONNECTIONS:** BSP female threads ISO 7/1 Rp (BS21).  
NPT to ANSI B1.20.1.  
SW - Socket weld to ANSI B16.11.
- INSTALLATION:** See IMI – Installation and maintenance instructions.

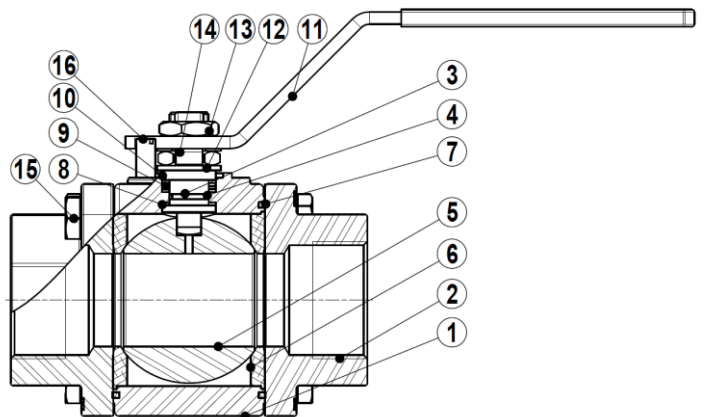
CE MARKING (PED – European Directive)	
PN100	Category
3/8" to 1 1/4"	SEP
1 1/2" to 2"	1 (CE marked)



DIMENSIONS (mm)										
Size	A	B	C	D	E	F	G	ØF BALL PORT	ISO 5211	Weight (kg)
3/8"	68	42	21	65	149	6	M10 x 1	11	F03	0,73
1/2"	76	50	25	69	149	6	M10 x 1	15	F03	1,1
3/4"	100	62	31	87	176	7,5	M12 x 1,25	20	F04	2,18
1"	118	72	36	92	176	7,5	M12 x 1,25	25	F04	3,12
1 1/4"	130	85	42,5	114	207	11	M16 x 1,5	32	F05	4,66
1 1/2"	146	95	47,5	119	207	11	M16 x 1,5	38	F05	6,35
2"	154	105	52,5	124	232	11	M16 x 1,5	50	F05	7,1



MATERIALS		
POS. Nº	DESIGNATION	MATERIAL
1	Body	CF3M / 1.4409
2	Body cap	CF8M / 1.4408
3	Stem	AISI 316 / 1.4401
4	Stem o-ring	Viton
5	Ball	AISI 316 / 1.4401
6	* Seat	** PTFE/GR
7	* Body gasket	PTFE
8	* Stem gasket	PTFE/GR
9	* Stem seal	PTFE/GR
10	Spacer	AISI 316 / 1.4401
11	Handle	AISI 304 / 1.4301
12	* Spring washers	AISI 304 / 1.4301
13	Compression nut	AISI 304 / 1.4301
14	* Lock washer	AISI 304 / 1.4301
15	Fixing bolts	AISI 304 / 1.4301
16	Nuts	AISI 304 / 1.4301



\* Available spare parts.

\*\* PTFE/GR – Carbon graphite reinforced PTFE. Others on request.