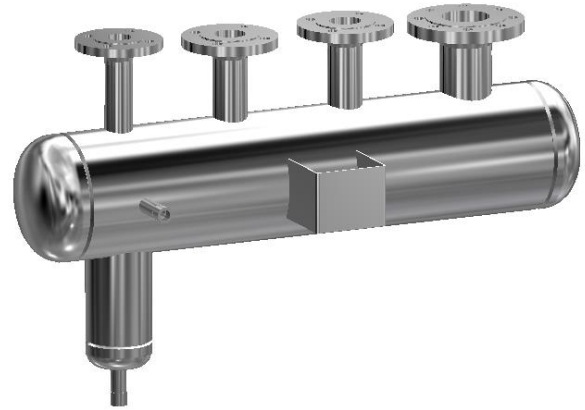


STEAM DISTRIBUTION MANIFOLD MAS

DESCRIPTION

The MAS series steam distribution manifolds are essentially designed to allow the placement of steam supply valves in a single location, reducing costs and providing an easy control of different steam lines.

The drain connection, with an automatic steam trap installed, discharges any condensate formed, thus providing high quality dry steam.



MAIN FEATURES

Several installation possibilities.
 Reduced field assembly costs, achieved by means of prefabrication.

OPTIONS: Complete units including valves, pressure gauge and steam trap station.
 Different designs.

USE: Saturated or superheated steam.
 Water, compressed air and other fluids (on request).

AVAILABLE MODELS: MAS-H – Horizontal steam distribution manifold.
 MAW-H – Horizontal liquid manifold.
 MAG-H – Horizontal gas manifold.

SIZES: DN 100 to DN 300.
PIPE

CONNECTIONS: Flanged EN 1092-1 PN16 / PN40.
 ANSI Class 150 lb / 300 lb.
 Female screwed BSP or NPT on request.

INSTALLATION: Always with the condensate connection pointing downwards.

DESIGN CODE: AD Merkblatt.

INQUIRY

INFORMATION: Type of fluid, maximum operating pressure and temperature.
 Manifold diameter (dimension B).
 Number of connections from left to right using suffix "I" and "O" to identify the inlets and outlets. Example: MAS-H B-168 with 1 DN100-I + 2 DN50-O + 1 DN40-O.
 Condensate connection d1.
 Other relevant information like insulation thickness, instrumentation connections, etc.
 Note: In case of order, an approval drawing shall be sent before manufacturing.

CE MARKING – GROUP 2 (PED – European Directive)

Since this is not a standard product, and can have different volumes and operation conditions, the conformity assessment and CE marking has to be carried out case by case.

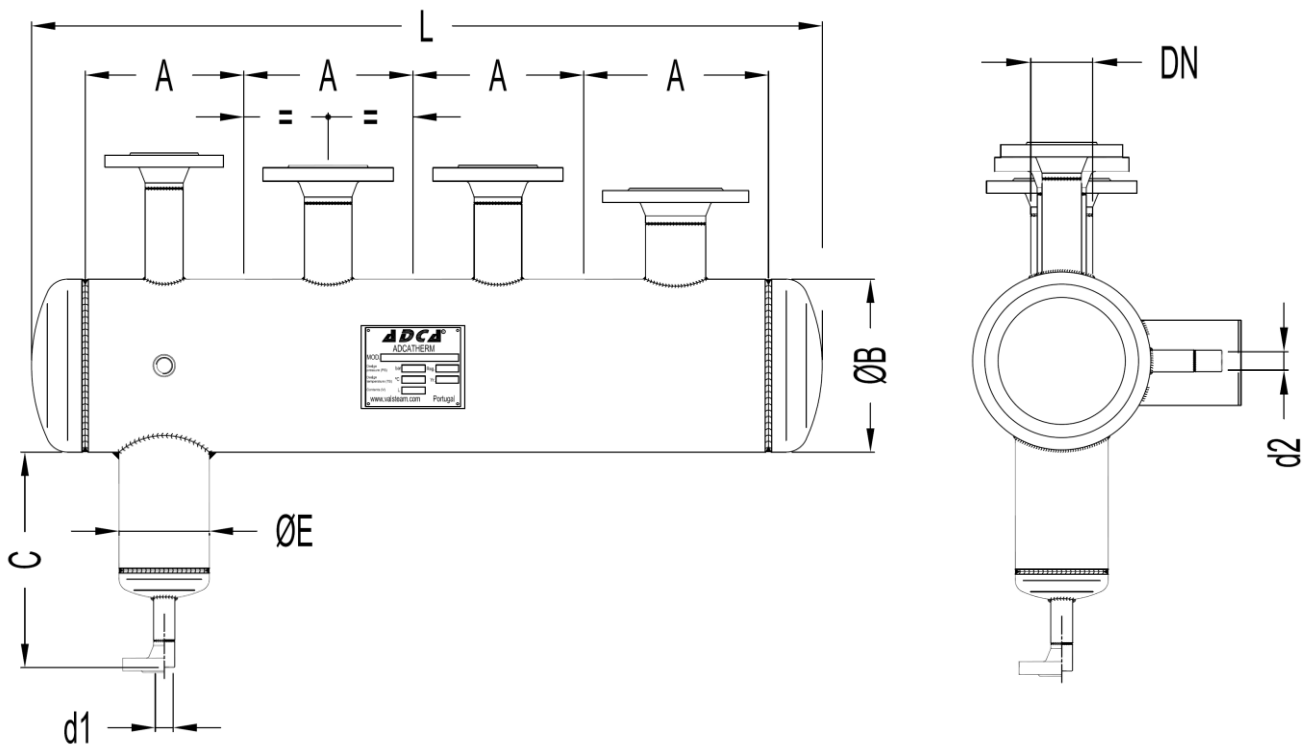
STANDARD MATERIALS	
DESIGNATION	MATERIAL
Body	EN 10216-2 / P235GH / 1.0325
Heads	EN 10028-2 / P265GH / 1.0425
Inlet / Outlet pipes	EN 10216-2 / P235GH / 1.0325
DIN flanges	EN 10222-2 / P250GH / 1.0460
ANSI flanges	ASTM A105 / 1.0432
Sockets	ASTM A105 / 1.0432
* Internals	EN 10025-2 / S235JR / 1.0038

FLANGE CONNECTIONS			
Rating	Size	EN Standard	ANSI Standard
PN16	* DN 15 to DN 50	EN 1092-1 PN40	ANSI B16.5 Cl. 150 lb
PN16	DN 65 to DN 300	EN 1092-1 PN16	ANSI B16.5 Cl. 150 lb
PN25	DN 15 to DN 150	EN 1092-1 PN40	ANSI B16.5 Cl. 300 lb
PN25	DN 200 to DN 300	EN 1092-1 PN25	ANSI B16.5 Cl. 300 lb
PN40	DN 15 to DN 300	EN 1092-1 PN40	ANSI B16.5 Cl. 300 lb

* Flanges EN 1092-1 PN16 and PN40 from DN 15 to DN 50 have the same number and size of holes.

EN 10204 3.1 certificate available if requested with the order.

* If any.



SUGGESTED DIMENSIONS (mm) *

DN	15	20	25	32	40	50	65	80	100	125	150	200	250	300
A (mm)	145	155	165	190	200	215	235	250	270	300	335	395	455	510

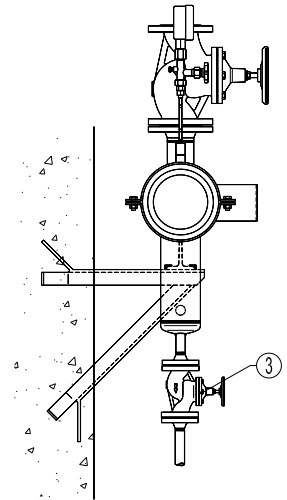
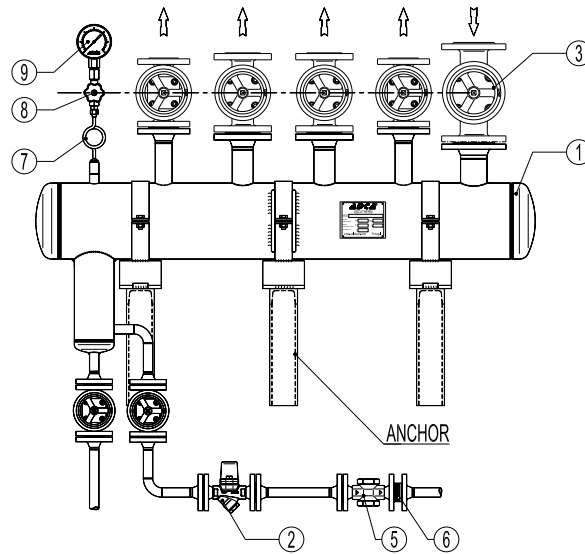
* Recommended minimum gap between flanged connections for later assembly of EN 1092-1 PN16 / PN40 flanged globe valves.

Remark: Since this is not a standard product, and can have different volumes and sizes, the certified values for each dimension will be supplied only after complete data evaluation and order confirmation.

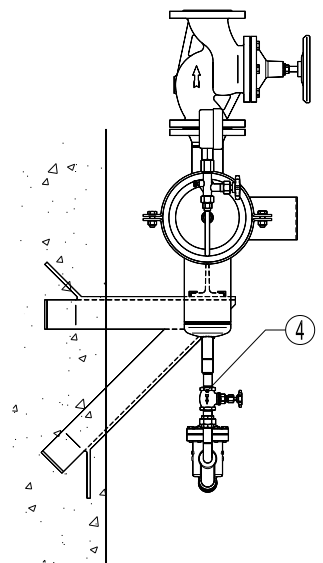
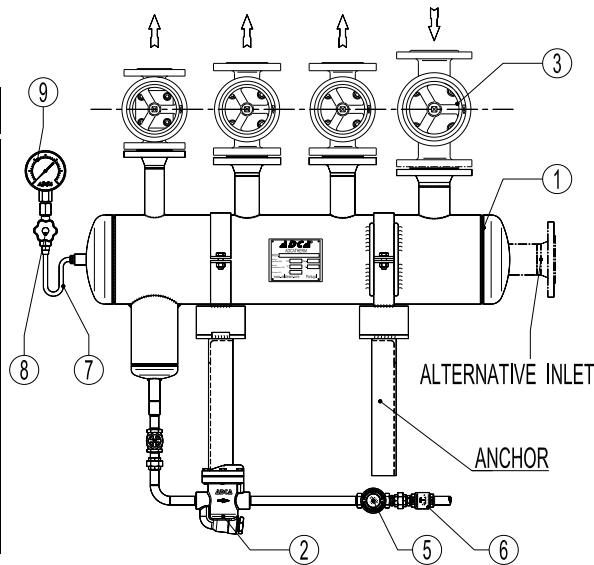
MAXIMUM BRANCH CONNECTION DEPENDING ON DIAMETER "B" (mm)							
B	114	140	168	220	275	325	357
DN	≤ 65	≤ 80	≤ 100	≤ 150	≤ 200	≤ 200	≤ 250

TYPICAL INSTALLATIONS

MATERIALS	
POS. Nº	MATERIALS
1	MAS-H – Manifold
2	BM32 – Bimetallic steam trap
3	VF16 – Bellow seal valve
5	DW40S – Sight glass
6	RD40 – Check valve
7	GSC-40 – Gauge siphon
8	GC-400 – Gauge cock </td
9	MAN-100 – Pressure gauge

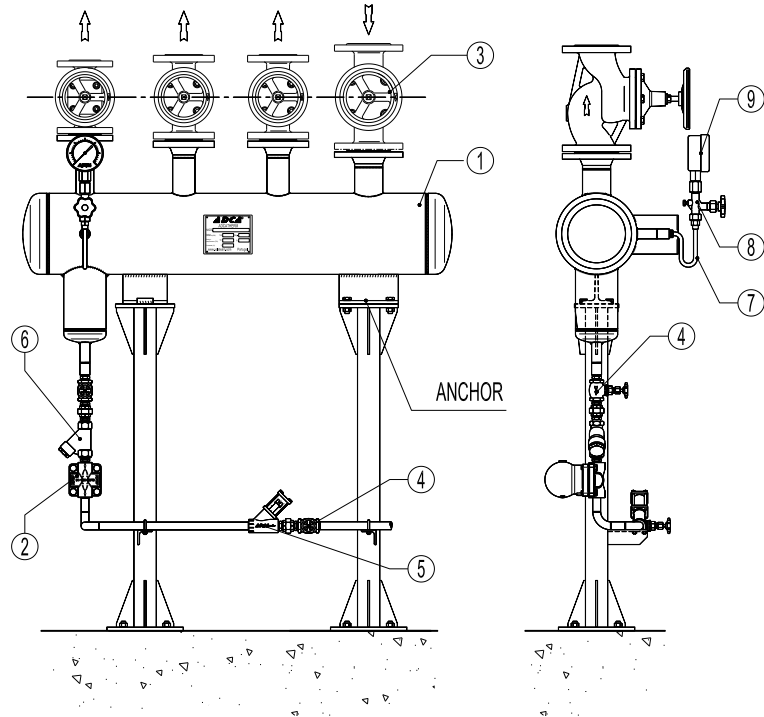


MATERIALS	
POS. Nº	MATERIALS
1	MAS-H – Manifold
2	IB12 – Inverted bucket trap
3	VF16 – Bellow seal valve
4	GV32B – Globe valve
5	SW12 – Sight glass
6	RT25 – Check valve
7	GSU-40 – Gauge siphon
8	GC-400 – Gauge cock
9	MAN-100 – Pressure gauge



MATERIALS	
POS. N°	MATERIALS
1	MAS-H – Manifold
2	FLT17LC – Float steam trap *
3	VF16 – Bellow seal valve
4	GV32B – Globe valve
5	SCK – Sight checker
6	IS16 – Y strainer
7	GSU-40 – Gauge siphon
8	GC-400 – Gauge cock
9	MAN-100 – Pressure gauge

*Recommended for low pressures only.



BOLTING DIMENSIONS FOR FLANGES															
DN	EN 1092-1 Type 11 PN16					EN 1092-1 Type 11 PN25					EN 1092-1 Type 11 PN40				
	C2	Ø L	Bolting		H 10	C2	Ø L	Bolting		H 10	C 2	Ø L	Bolting		H 10
			N°	Size				N°	Size				N°	Size	
15	16	14	4	M12	50	16	14	4	M12	50	16	14	4	M12	50
20	18	14	4	M12	55	18	14	4	M12	55	18	14	4	M12	55
25	18	14	4	M12	55	18	14	4	M12	55	18	14	4	M12	55
32	18	18	4	M16	55	18	18	4	M16	55	18	18	4	M16	55
40	18	18	4	M16	55	18	18	4	M16	55	18	18	4	M16	55
50	18	18	4	M16	55	20	18	4	M16	60	20	18	4	M16	60
65	18	18	4 *	M16	55	22	18	8	M16	65	22	18	8	M16	65
80	20	18	8	M16	60	24	18	8	M16	70	24	18	8	M16	70
100	20	18	8	M16	60	24	22	8	M20	75	26	22	8	M20	75
125	22	18	8	M16	65	26	26	8	M24	80	28	26	8	M24	90
150	22	22	8	M20	70	28	26	8	M24	90	30	26	8	M24	90
200	24	22	12	M20	75	30	26	12	M24	90	36	30	12	M27	110
250	26	26	12	M24	80	32	30	12	M27	100	42	33	12	M30	120
300	28	26	12	M24	90	34	30	16	M27	100	52	33	16	M30	140

* Flange EN 1092-1 DN 65 PN16 with 4 holes as standard. Flange with 8 holes under request.

