

LINEAR PNEUMATIC ACTUATORS PA205 – PA435

DESCRIPTION

Pneumatic multi-spring linear actuators PA series for modulating and open-close duty, ideal for demanding industrial valve control tasks.

MAIN FEATURES

Direct and reverse action actuators for a maximum of 45 mm valve stroke.

Operation with compressed air, nitrogen or clean water.

OPTIONS: Limit switches.
 Manual operating device.
 Different kind of positioners.
 Stainless steel construction.

USE: Actuating of V series Adcatrol control valves or others, on request.

AIR SUPPLY: Max. 3,5 bar.

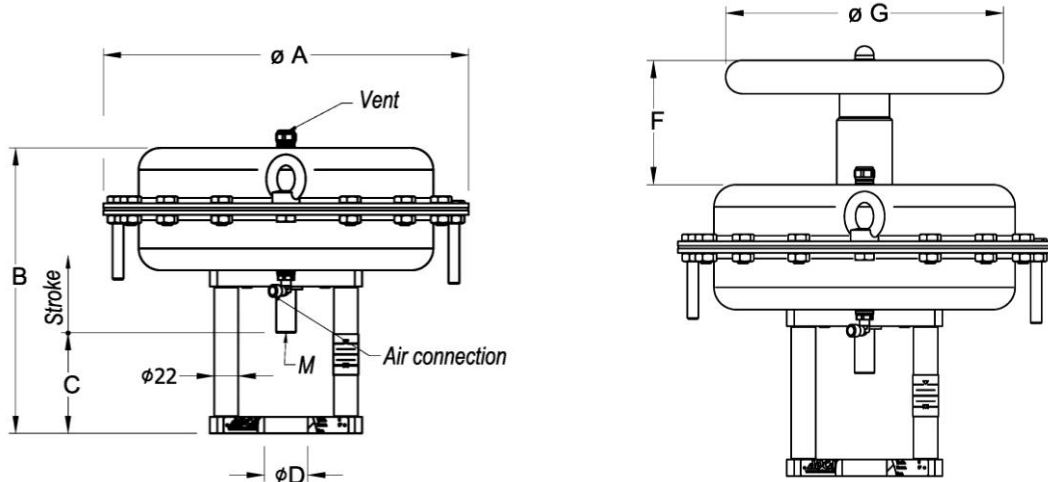
CONNECTION: 1/4".

AVAILABLE MODELS: PA205, PA280, PA340, PA435.

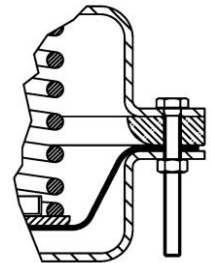
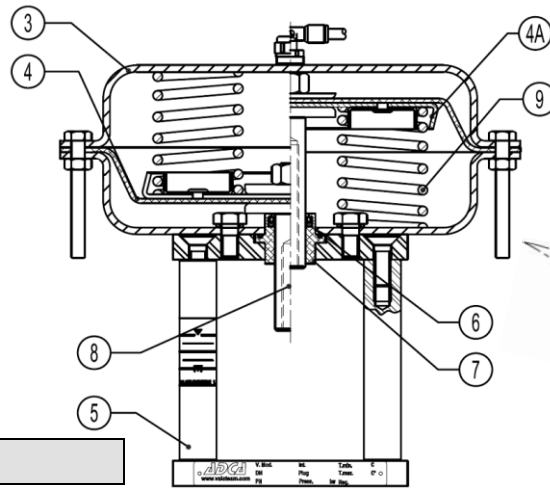
MAX.AMBIENT TEMPERATURE: -20 °C to 80 °C.



DIMENSIONS (mm)									
MODEL	A	B	C	D	F	G	M	STROKE	WGT. (kg)
PA205	210	235	92	40	100	250	M10	20	6
PA280	275	245	92	40	100	250	M10	20	10
PA340A	335	265	82	40	110	350	M10	20	15
PA340B	335	265	92	45	110	350	M10	30	15
PA435A	430	295	72	40	120	350	M10	40	25
PA435B	430	315	82	45	140	350	M10	45	27



PA205 – PA435
RA – Reverse action | DA – Direct action



PA 435B (0,4 – 2,5 bar)

MATERIALS		
POS. N°	DESIGNATION	MATERIAL
3	Body (steel)	S235JRG2 / 1.0038
	Body (st. steel)	AISI 304 / 1.4301
4	* Diaphragm	NBR70
4A	Diaphragm plate	S235JRG2 / 1.0038
5	Yoke (steel)	C45E / 1.1191
	Yoke (st. steel)	AISI 304/ 1.4301
6	Seal ring	NBR
7	Guide	Nylon
8	Rod	AISI 316 / 1.4401
9	Spring	Spring steel

* Available spare parts.