

PNEUMATIC CONTROL VALVES
PPV25I – ON-OFF (Complete stainless steel)
 (V25I globe valves series with PP series linear piston actuators)

DESCRIPTION

The PPV25I on-off valves are single seated, two-way body constructed with in-line straight connections. The PPI pneumatic actuator is of the piston type. Their wide application range allows the use of this valve with the most common process fluids such as water, superheated water, steam, air, gas and other fluids.

MAIN FEATURES

Single seated, two ways, direct or reverse action valve.
 Soft sealing as standard.
 Actuator housing 360° rotation (clockwise).

OPTIONS: Air filter regulator.
 Normally open and double effect actuator versions.
 Inductive travel switch.
 Pilot solenoid valve.

USE: Saturated and superheated steam.
 Hot and superheated water.
 Air, gases and other non-corrosive fluids.

AVAILABLE MODELS: PPV25I – Stainless steel.

VALVE SIZES: 1/2" to 1".

CONNECTIONS: Female threaded ISO 7/1 Rp or NPT.

ACTUATORS: PPI-63 (stainless steel).
 PPI-90 (stainless steel).

ACTUATORS CONNECTIONS: PPI-63: G 1/8" NPT;
 PPI-90: G 1/4" NPT.

AIR SUPPLY PRES.: 5 - 8 bar (max. 8 bar).

AMBIENT PRESSURE: -20 °C to 70 °C.
BONNET: Standard – up to 220 °C.
 Extended finned – above 220 °C.
STEM SEALING: PTFE/GR V-Rings – up to 220 °C.
PLUG DESIGN: PT – On-off.
PORT: Full port as standard.



CE MARKING – GROUP 2 (PED – European Directive)	
PN25	Category
1/2" to 1"	SEP

BODY LIMITING CONDITIONS	
V25I – PN25 *	
ALLOW. PRESS.	RELATED TEMP.
25 bar	-10 °C / 50 °C
21 bar	200 °C
19,8 bar	250 °C
18,5 bar	300 °C

Note: Maximum temperatures limited to the valve packing selected. Valves with soft seat, maximum allowable temperature: 200 °C.

* Rating according to EN1092-1:2018;

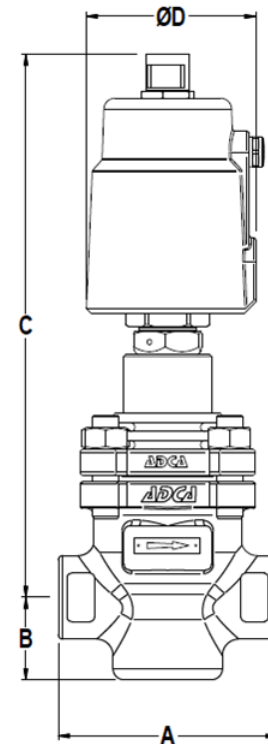
**MAX. PERM. PRESSURE DROP (bar) –
N.C. (fluid to open) –
Reverse action actuator (air signal to open)**

ACTUATOR	SIZES		
	1/2"	3/4"	1"
	Kvs = 5,2	Kvs = 7,3	Kvs = 11,7
PPI-63	21	18	8
PPI-90	25	25	24

Kvs in m³/h, see data sheet IS PV10.00 E ;
For conversion Kvs = Cv(US) x 0,855.

DIMENSIONS (mm)

SIZE	A	B	C	D	WEIGHT (kg)
1/2"	100	37,5	250	75	3,9
3/4"	100	37,5	250	75	3,9
1"	100	37,5	250	75	4,9



MATERIALS

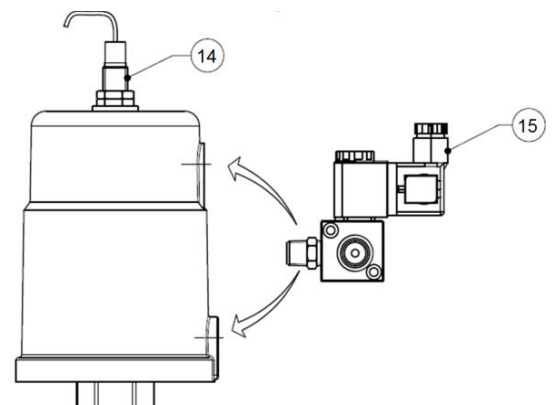
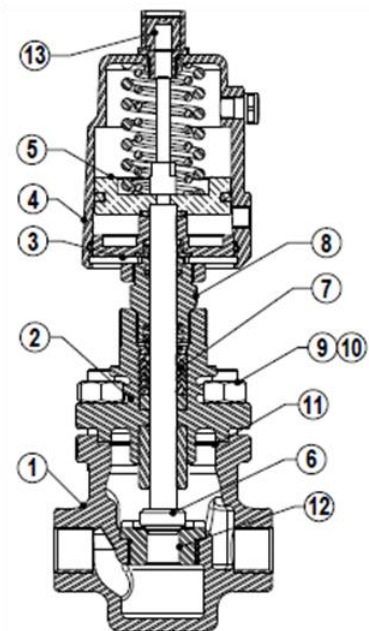
POS. Nº	DESIGNATION	MATERIAL
1	Valve body	CF8M / 1.4408
2	Bonnet	CF8M / 1.4408
3	Actuator flange	CF8 / 1.4308
4	Actuator cover	CF8 / 1.4308
5	Piston	Aluminium
6	* Valve plug	AISI 316 / 1.4401; PTFE/GR
7	* Packing	PTFE/GR
8	Gland nut	AISI 316 / 1.4401
9	Studs	A4-70
10	Nuts	A4-70
11	Gasket	Stainless steel / Graphite
12	Seat	AISI 316 / 1.4401
13	Indication stem	Plastic
14	** Travel switch	Metal
15	** SV32C valve	Alluminium alloy

* Available spare parts.

** Optional.

TRAVEL SWITCH

The travel switch provides an electrical signal that indicates either the open or closed position of the valve. This signal is given by a non-contact electronic inductive proximity sensor.



ORDERING CODES PPV25I													
VALVE CODES							PPV	.25I	9	A	15	A	.X.
Group designation													
Pneumatic on-off valve							PPV						
Valve model													
CF8M body, stainless steel trim								.25I					
Valve plug													
PT (on-off) – soft (PTFE/GR)									9				
PT (on-off) – metal (AISI 316 / 1.4401)									10				
Pipe connection													
Female threaded ISO 7/1 Rp										A			
Female threaded NPT										C			
Size													
1/2"											15		
3/4"											20		
1"											25		
Fluid direction													
Fluid enters above the seat												A	
Fluid enters below the seat												B	
Actuator													(1)
Extras													
Full description or additional codes have to be added in case of non-standard combination												E	

ACTUATOR CODES (pneumatic)		PI.		
Group designation				
Piston linear actuator		PI.		
Actuator size				
PPI-63		.63		
PPI-90		.90		
Actuator type				
Direct action (air to close)		.D		
Reverse action (air to open)		.R		
Actuator Construction				
Stainless steel construction				(2)

→ To be introduced on ".X.", if supplied in combination with the valve.

Example:

PPV25I valve model, on-off soft plug, size 1/2", fluid entering above the seat, complete with reverse action stainless steel actuator PPI-63:

Code: PPV.25I9A15A.63.R

REMARKS:

- (1) – Indicate actuator type.
- (2) – Omitted if the standard valve is selected.

ADCATrol control valves are identified by a serial number on a nameplate, located on the actuator yoke. When ordering spares, always use that serial number. If the valve has non-standard extras the serial number also has an E (extras).