

## HUMIDITY SEPARATORS Clean Steam Separator S10H

(Horizontal connections – Baffle design)

### DESCRIPTION

When wet steam is used in sterilization, moisture in suspension reduces the heat transfer efficiency, and the validity of the sterilization process can be compromised. S10H series baffle separators remove moisture from steam pipelines. Steam passes through the separator and as a result of expansion, impact and swirling effects, the particles with a heavier specific gravity are separated, such as water droplets and moisture in suspension. The condensate collected at the bottom of the separator must be automatically drained by a suitable steam trap.

### MAIN FEATURES

316L stainless steel construction.  
No moving parts.  
Self draining design.

### STANDARD SURFACE FINISH

Internal wetted parts:  $\leq 0,51$  micron Ra – SF1.  
External: Satin bead blast finish – 1,6 micron Ra.  
Other surface conditions see IS PV20.00 E – Technical information.

### OPTIONS:

Vent connection.  
Different kinds of connections and dimensions.

### USE:

Steam, compressed air and other gases (Group 2).

### AVAILABLE MODELS:

S10H.  
S10HA – with air vent connection.

### SIZES:

1/2" to 3".

### PIPE CONNECTIONS:

Clamped ends ASME BPE.  
Other sanitary clamp or tube weld connections available on request.

### PACKAGING:

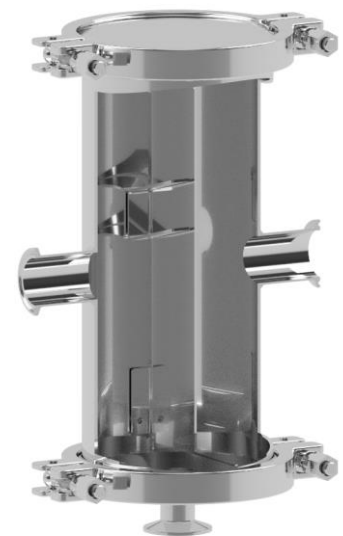
Assembling and packaging in a clean room certified according to ISO 14644-1.  
The product is end capped and sealed with recyclable thermo-shrinkable plastic film, to avoid contamination.

### INSTALLATION:

Always with the condensate discharge pointing downwards. See IMI, installation and maintenance instructions.

### HOW TO SELECT:

Generally, in an existing plant it is advisable to fit a separator with the same size of the pipe line. Pressure drop is normally negligible. For approximate pressure drop calculation please consult factory.



| CE MARKING (PED – European Directive) |               |
|---------------------------------------|---------------|
| PN10                                  | Category      |
| 1/2" to 2"                            | SEP           |
| 2 1/2" to 3"                          | 1 (CE Marked) |

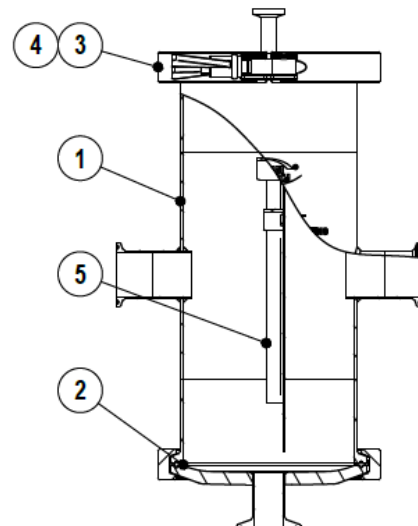
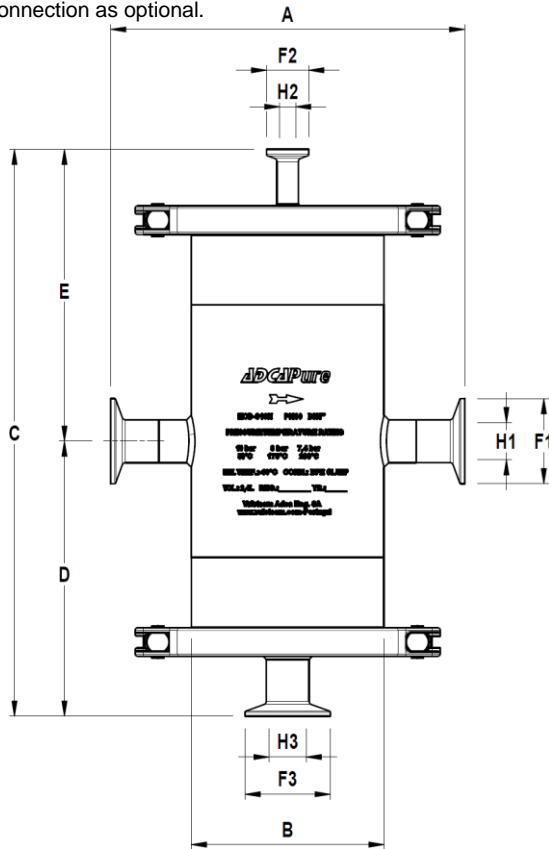
| LIMITING CONDITIONS |              |            |
|---------------------|--------------|------------|
| Rating              | Press. (bar) | Temp. (°C) |
| PN10                | 10           | 50         |
|                     | 8 *          | 175        |
|                     | 7,4          | 200        |

PMO – Max. operat. press. for saturated steam.  
Minimum operating temp.: -10 °C.  
Design code: AD-Merkblatt

| APPROXIMATE DIMENSIONS (mm) ASME BPE |     |     |     |     |     |      |    |      |       |     |      |                         |           |
|--------------------------------------|-----|-----|-----|-----|-----|------|----|------|-------|-----|------|-------------------------|-----------|
| SIZE                                 | A   | B   | C   | D   | E   | F1   | F2 | F3   | H1    | H2  | H3   | VOL. (dm <sup>3</sup> ) | WGT. (kg) |
| 1/2"                                 | 210 | 114 | 338 | 163 | 175 | 25   | 25 | 50,5 | 9,4   | 9,4 | 22,1 | 2,4                     | 5         |
| 3/4"                                 | 210 | 114 | 338 | 163 | 175 | 25   | 25 | 50,5 | 15,75 | 9,4 | 22,1 | 2,4                     | 5         |
| 1"                                   | 210 | 114 | 338 | 163 | 175 | 50,5 | 25 | 50,5 | 22,1  | 9,4 | 22,1 | 2,4                     | 5,1       |
| 1 1/2"                               | 240 | 140 | 404 | 163 | 209 | 50,5 | 25 | 50,5 | 34,8  | 9,4 | 22,1 | 4,7                     | 9,6       |
| 2"                                   | 240 | 140 | 404 | 195 | 209 | 64   | 25 | 50,5 | 47,5  | 9,4 | 22,1 | 4,7                     | 9,6       |
| 2 1/2"                               | 270 | 168 | 478 | 235 | 244 | 77,5 | 25 | 50,5 | 60,2  | 9,4 | 22,1 | 8,4                     | 13,7      |
| 3"                                   | 270 | 168 | 478 | 235 | 244 | 91   | 25 | 50,5 | 72,9  | 9,4 | 22,1 | 8,6                     | 13,8      |

Consult factory for certified dimensions. Dimensions subject to change without notice.

\* Vent connection as optional.



| MATERIALS |             |                    |
|-----------|-------------|--------------------|
| POS. Nº   | DESIGNATION | MATERIAL           |
| 1         | Body        | AISI 316L / 1.4404 |
| 2         | Cover       | AISI 316L / 1.4404 |
| 3         | *Clamp      | AISI 316L / 1.4404 |
| 4         | *Seal       | Viton              |
| 5         | Internals   | AISI 316L / 1.4404 |

\* Available spare parts.

EN 10204 3.1 certificate available if requested along with the order.

Remarks: FDA/USP Class VI seals certificate on request.

All separators have a serial number. In cases of non standard separators, this number must be supplied if spare parts are ordered.