

## SAFETY RELIEF VALVES SRV8

ADCA Pure

### DESCRIPTION

The ADCA SRV8 series aseptic safety relief valves with angle type connections are designed for use with clean steam, air, water and other gases and liquids compatible with the construction materials.

Main applications are overpressure protection on steam equipment, pressure vessels and pipelines, particularly within the food, beverage and pharmaceutical industries.

### MAIN FEATURES

Completely made from solid bar stock material.

Metal to metal or soft sealing.

Elastomer bellows to isolate the product chamber from the spring housing.

Self draining design.

### STANDARD SURFACE FINISH

Internal wetted parts:  $\leq 0,51$  micron Ra – SF1.

External:  $\leq 0,76$  micron Ra – SF3.

Other surface conditions see IS PV20.00 E – Technical information.

Ultrasonic cleaning.

OPTIONS: Pneumatic lifting device (for CIP/SIP).

USE: Clean steam, air, water and other gases and liquids compatible with the construction.

### AVAILABLE

MODELS: SRV8.

VALVE SIZES: 3/4"x1", 1"x1 1/2" and 1 1/2"x2".  
DN20x25, DN25x40, DN32x40 and DN40x50.

CONNECTIONS: Clamp ends or others on request.

DESIGN: DIN EN ISO 4126-1.  
AD-Merkblatt-A2.  
PED – Pressure Equipment Directive.

PACKAGING: Assembling and packaging in a clean room certified according to ISO 14644-1.  
The product is end capped and sealed with recyclable thermo-shrinkable plastic film, to avoid contamination.



CE MARKING (PED – European Directive)	
Sizes	Category
All sizes	4

**CE Marking:** This product has been designed for use on steam, air and other gases which are in Group 2 and 1 (only oxygen, others on request) of the European PED-Pressure Equipment Directive in use and it complies with those requirements. The product carries the CE Mark.

LIMITING CONDITIONS	
Valve model	SRV8
Body design conditions	PN16
Minimum operating temperature	- 40 °C
Maximum operating pressure	16 bar
Maximum operating temperature	180 °C

Higher and lower limits on request.

**SRV8  
FLOW CAPACITIES  
(10% overpressure in accordance with ISO 4126-1)**

SIZE	DN20 x 25 3/4" x 1"			DN25 x 40 1" x 1 1/2"			DN32 x 40			DN40 x 50 1 1/2" x 2"		
d0 (mm)	10			13			17			23		
Flow area (mm <sup>2</sup> )	78,5			132,7			227			415,5		
Set Pressure	Steam (kg/h)	Air (Nm <sup>3</sup> /h)	Water (m <sup>3</sup> /h)	Steam (kg/h)	Air (Nm <sup>3</sup> /h)	Water (m <sup>3</sup> /h)	Steam (kg/h)	Air (Nm <sup>3</sup> /h)	Water (m <sup>3</sup> /h)	Steam (kg/h)	Air (Nm <sup>3</sup> /h)	Water (m <sup>3</sup> /h)
*0,5	57,01	70,57	2,81	77,95	96,49	2,87	115,25	142,67	4,59	170,76	211,39	7,05
1	77,17	94,40	3,97	109,95	134,50	4,08	168,83	206,52	6,47	256,34	313,57	9,87
2	96,34	119,26	5,06	173,32	214,56	5,73	299,91	371,26	9,09	451,04	558,35	13,80
3	137,36	171,50	5,94	243,69	304,27	7,05	414,65	517,72	11,18	639,96	799,03	16,92
4	172,30	216,50	6,66	312,82	393,08	8,19	533,64	670,55	12,72	822,32	1033,30	19,66
5	210,34	265,70	7,38	380,01	480,04	9,19	631,97	798,31	14,35	1007,39	1272,54	22,17
6	251,79	319,40	7,87	445,63	565,30	10,00	738,53	936,85	15,67	1191,15	1511,01	24,39
7	287,18	365,63	8,46	508,27	647,13	10,96	842,33	1072,45	17,02	1358,56	1729,71	26,51
8	322,48	411,86	8,93	570,74	728,95	11,81	945,86	1208,05	18,13	1525,55	1948,41	28,45
9	357,74	458,09	9,52	633,15	810,77	12,39	1049,30	1343,65	19,20	1692,37	2167,11	30,36
10	393,02	504,32	9,98	695,60	892,59	13,21	1152,79	1479,24	20,25	1859,29	2385,81	31,95
11	428,16	550,55	10,46	757,80	974,41	13,85	1255,86	1614,84	21,23	2025,53	2604,51	33,51
12	463,16	596,78	10,93	819,73	1056,23	14,47	1358,50	1750,44	22,18	2191,07	2823,21	35,00
13	498,26	643,01	11,38	881,86	1138,05	15,06	1461,47	1886,04	23,08	2357,15	3041,91	36,43
14	533,26	689,24	11,81	943,81	1219,87	15,63	1564,13	2021,63	23,96	2522,72	3260,61	37,80
15	568,44	735,47	12,22	1006,07	1301,69	16,18	1667,32	2157,23	24,80	2689,16	3479,31	39,13
16	603,55	781,70	12,62	1068,21	1383,51	16,71	1770,30	2292,83	25,61	2855,25	3698,01	40,41

\* Lower set pressures on request.

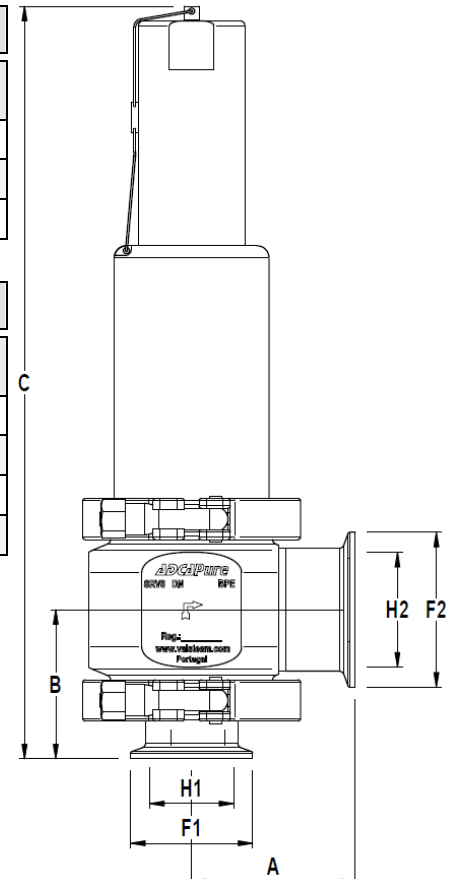
**DIMENSIONS (mm) ASME BPE**

SIZE	d0	A	B	C	F1	F2	H1	H2	WGT. (kg)
3/4" x 1"	10	62,5	49,5	279	25	50,5	15,8	22,1	4,3
1" x 1 1/2"	13	62,5	53,5	281	50,5	50,5	22,1	34,8	4,4
1 1/2" x 2"	23	67,5	61,5	311	50,5	64	34,8	47,5	5,3

**DIMENSIONS (mm) DIN**

SIZE	d0	A	B	C	F1	F2	H1	H2	WGT. (kg)
20 x 25	10	55,5	50	279	34	50,5	20	26	4,3
25 x 40	13	55,5	55	282	50,5	50,5	26	38	4,4
32 x 40	17	55,5	53	282	50,5	50,5	32	38	4,3
40 x 50	23	60,5	61,5	311	50,5	64	38	50	5,2

Clamp ferrules DIN 32676 Series A (for pipes DIN 11866 Series A – DIN 11850 Series 2).



MATERIALS		
POS. N°	DESIGNATION	MATERIAL
1	Valve body	AISI 316L / 1.4404
1A	Seat	AISI 316L / 1.4404
2	* Seat disc	AISI 316L / 1.4404
3	Lifting bell	AISI 316L / 1.4404
4	* O-ring	EPDM
5	Ball	AISI 316 / 1.4401
6	Spindle	AISI 316L / 1.4404
7	Lift stopper	AISI 316L / 1.4404
8	* Pin	AISI 301 / 1.4310
9	* Bellows	EPDM
10	Fixing nut	AISI 316L / 1.4404
11	Bellows fixing ring	AISI 316L / 1.4404
12	* O-ring	EPDM
13	Guide bushing	AISI 316L / 1.4404
14	Bushing	PTFE + 15% GF
15	Bolts	Stainless Steel A2 - 70
16	Split ring	AISI 316L / 1.4404
17	Spring plate	AISI 316L / 1.4404
18	* Spring	AISI 302HT / 1.4310
19	Bonnet	AISI 316L / 1.4404
20	Adjusting screw	AISI 316L / 1.4404
21	Lock nut	AISI 316L / 1.4404
22	Cap	AISI 316L / 1.4404
23	Clamp	AISI 316 / 1.4401

\*Available spare parts.

Remarks: FDA/USP Class VI seals certificate on request

All valves have a serial number. In case of non standard valves this number must be supplied if spare parts are ordered.

