

## BIMETALLIC STEAM TRAP UBS20 (For use with universal pipeline connectors)

### DESCRIPTION

The UBS20 series bimetallic steam traps and air eliminators, completely in stainless steel, are maintenance free and sealed traps. Simple and robust, they are recommended for drip service, steam tracing applications and where condensate sensible heat can be recovered.

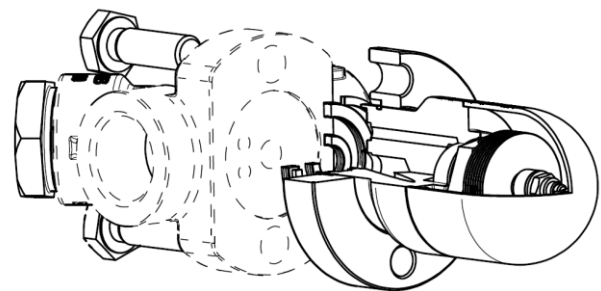
These traps fit the UCX universal connectors and CTS4U compact stations.

### MAIN FEATURES

- Sealed, non-maintainable.
- Modulating discharge.
- Discharges condensate below steam temperature.
- Excellent air discharge.
- Operates on superheated steam.
- Unaffected by water-hammer and vibrations.

- OPTIONS:** Different operating limits.
- USE:** Saturated and superheated steam.
- AVAILABLE MODELS:** UBS20.
- SIZES:** According to the selected pipeline connector.

**INSTALLATION:** In any position.



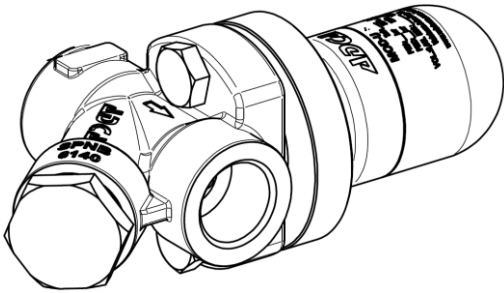
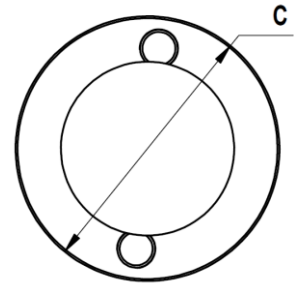
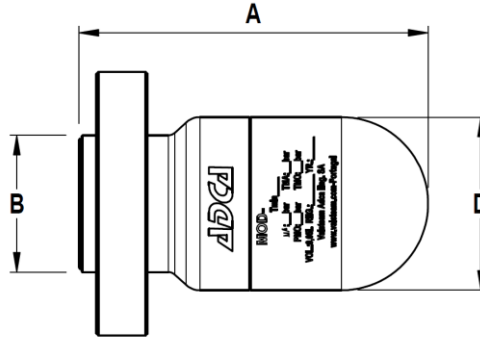
BODY LIMITING CONDITIONS	
FLANGED ANSI 300 lb ALLOW. PRESS.	RELATED TEMP.
47,8 bar	-10 / 50 °C
40,9 bar	100 °C
34,4 bar	200 °C
30,6 bar	300 °C
28,6 bar	400 °C

PMO – Max. operating pressure 17 bar;  
TMO – Max. operating temperature 250 °C;  
The connector may restrict the operating conditions to a lower rating.

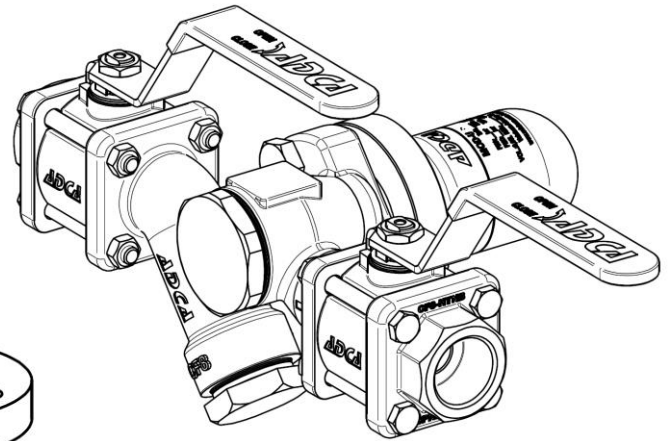
FLOW RATE CAPACITY (kg/h)										
MODEL	DIFFERENTIAL PRESSURE (bar)									
	0,5	1	2	4	6	8	10	12	14	17
UBS20 (A)	125	200	320	410	445	485	500	540	580	600
UBS20 (B)	450	700	1000	1220	1340	1450	1560	1650	1780	1850

A: Condensate discharge at 10 °C below saturation temperature. B: Cold water capacity at about 20 °C.

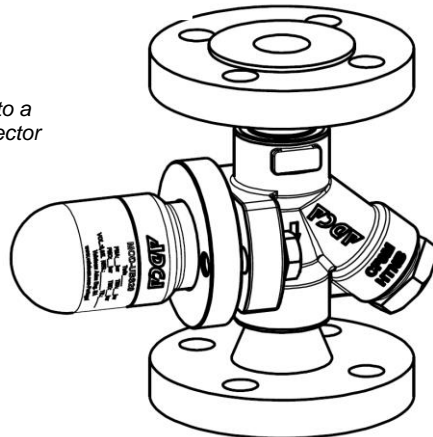
DIMENSIONS (mm)					
MODEL	A	B	ØC	ØD	WGT. (kg)
UBS20	89	35	67	44	1,3



UBS steam trap connected to a UCX universal pipeline connector



UBS steam trap connected to a CTS4U compact station



MATERIALS		
POS. Nº	DESIGNATION	MATERIAL
1	Body	AISI 316 / 1.4401
2	Cover	AISI 316 / 1.4401
3	Valve seat	AISI 304 / 1.4301
4	Discs	Bimetal
6	Gasket	Copper
7	* Inlet gasket	Stainless steel / Graphite
8	* Outlet gasket	Stainless steel / Graphite
9	Flange	AISI 316 / 1.4401
10	Retainer ring	Steel
11	Bolts	ASTM A193 Gr. B7

\* Available spare parts.

