

YCP31/32 Series

Piston Pilot Operated, STEAM VALVE

3/8"-5" 2WAY NC/NO



Characteristic: 1. Pilot operated piston construction with low power consumption
2. Seal serves longtime at steam ambient;
3. Used for long-time working in pipeline system.

Medium: Steam, Hot Water, Oil, etc.

Temperature: PTFE Seal: -60°C to 200°C
VITON Seal: -30°C to 150°C

Pressure: YCP31: 0.05MPa ~ 1.6MPa NC
YCP32: 0.05MPa ~ 1.6MPa NO

Port Size: 3/8", 1/2", 3/4", 1", 1 1/4", 1 1/2", 2"
F2 1/2", F3", F3 1/2", F4", F5"

Port Thread: G, BSP, NPT

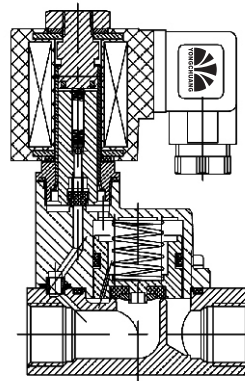
Orifice (mm): 12, 15, 20, 25, 32, 40, 50, 65, 80, 100, 125, 150

Voltage: DC - 12V, 24V
AC - 24V, 120V, 240V/60Hz; 110V, 220V/50Hz

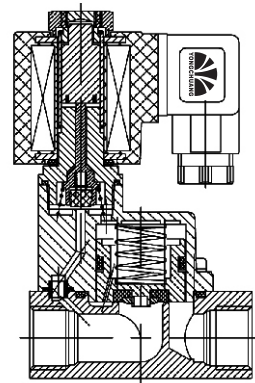
Tolerance: +/- 10%

Coils: S21H, 24VA(AC), 18W(DC), Ip65, 100%ED
YG1B, 30VA(AC), 21W(DC), Ip65, 100%ED

Material: Body - Brass, Stainless steel, cast steel
Seal -PTFE or VITON
Armature Tube - Stainless Steel 304
Plunger - Stainless Steel 430F
Stop -SS430F
Springs - SS 304
Shading Rings - Copper



NC



NO

YCP31 Normally Closed, with Coil S21H

Valve Body	Port Size	Orifice (mm)	Cv	Min Pressure	Max Pressure		Seals Material	Body Material	Coil
					AC(24VA)	DC(18W)			
YCP3112 X X X	3/8"	12	4.5	0.05MPa	1.60MPa	1.60MPa	PTFE or VITON,	Brass Stainless Steel	S21H
YCP3115 X X X	1/2"	15	4.5	0.05MPa	1.60MPa	1.60MPa			S21H
YCP3120 X X X	3/4"	20	9.3	0.05MPa	1.60MPa	1.60MPa			S21H
YCP3125 X X X	1"	25	12	0.05MPa	1.60MPa	1.60MPa			S21H
YCP3132 X X X	1 1/4"	32	24	0.05MPa	1.60MPa	1.60MPa			S21H
YCP3140 X X X	1 1/2"	40	29	0.05MPa	1.60MPa	1.60MPa			S21H
YCP3150 X X X	2"	50	48	0.05MPa	1.60MPa	1.60MPa			S21H
YCP3125 F X X	F1"	25	12	0.05MPa	1.60MPa	1.60MPa			S21H
YCP3132 F X X	F1 1/4"	32	24	0.05MPa	1.60MPa	1.60MPa			S21H
YCP3140 F X X	F1 1/2"	40	29	0.05MPa	1.60MPa	1.60MPa			S21H
YCP3150 F X X	F2"	50	48	0.05MPa	1.60MPa	1.60MPa			S21H

YCP32 Normally Open, with Coil S21H

Valve Body	Port Size	Orifice (mm)	Cv	Min Pressure	Max Pressure		Seals Material	Body Material	Coil
					AC(24VA)	DC(18W)			
YCP3212 X X X	3/8"	12	4.5	0.05MPa	1.60MPa	1.60MPa	PTFE or VITON,	Brass Stainless Steel	S21H
YCP3215 X X X	1/2"	15	4.5	0.05MPa	1.60MPa	1.60MPa			S21H
YCP3220 X X X	3/4"	20	9.3	0.05MPa	1.60MPa	1.60MPa			S21H
YCP3225 X X X	1"	25	12	0.05MPa	1.60MPa	1.60MPa			S21H
YCP3232 X X X	1 1/4"	32	24	0.05MPa	1.60MPa	1.60MPa			S21H
YCP3240 X X X	1 1/2"	40	29	0.05MPa	1.60MPa	1.60MPa			S21H
YCP3250 X X X	2"	50	48	0.05MPa	1.60MPa	1.60MPa			S21H
YCP3225 F X X	F1"	25	12	0.05MPa	1.60MPa	1.60MPa			S21H
YCP3232 F X X	F1 1/4"	32	24	0.05MPa	1.60MPa	1.60MPa			S21H
YCP3240 F X X	F1 1/2"	40	29	0.05MPa	1.60MPa	1.60MPa			S21H
YCP3250 F X X	F2"	50	48	0.05MPa	1.60MPa	1.60MPa			S21H

YCP31/32 Series

YCP31-F Series, NC, Coil YG1B

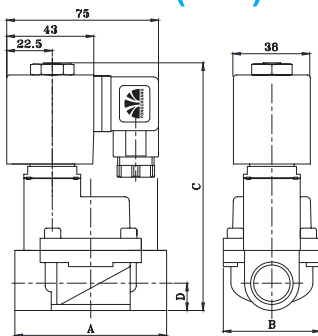
Valve Body	Port Size	Orifice (mm)	Cv	Min Pressure	Max Pressure	Seals Material	Body Material	Coil
YCP3165F X X X	F2-1/2"	65	85	0.05MPa	1.6MPa	PTFE or VITON,	Stainless Steel cast steel	YG1B
YCP3180F X X X	F3"	80	125	0.05MPa	1.6MPa			YG1B
YCP31100FX X X	F3-1/2"	100	160	0.05MPa	1.6MPa			YG1B
YCP31125F X X X	F4"	125	200	0.05MPa	1.6MPa			YG1B
YCP31150FX X X	F5"	150	320	0.05MPa	1.6MPa			YG1B

Determine Valve Body Code

Type	Orifice mm	Port Thread	Body	Seal	Coils	Voltage
YCP31 YCP32	12, 15, 20, 25, 32 40, 50, 65, 80, 100 125, 150	G - Thread N - NPT Thread F - Flange	B - Brass S - Stainless Steel Z - cast steel	P - PTFE Seal V - VITON Seal	S21H YG1B	1, AC220V 2, DC24V 3, AC110V 4, DC12V 5, AC24V 6, DC6V

EXAMPLE : YCP31 15 GSP S21H1 YCP31 SERIES, N.C., 15MM ORIFICE, 1/2"G, STAINLESS STEEL BODY, PTFE SEAL, COIL S21H, AC220V, DIN.

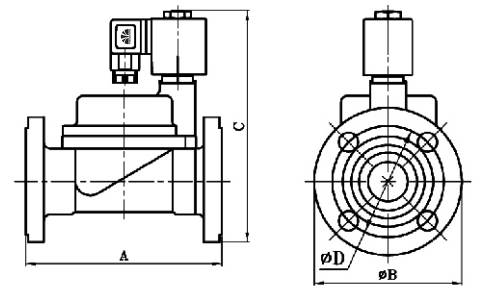
Dimension(mm)



YCP31/32 Series

YCP31/YCP32 Series

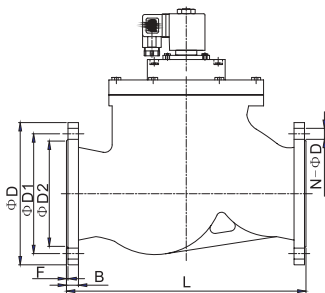
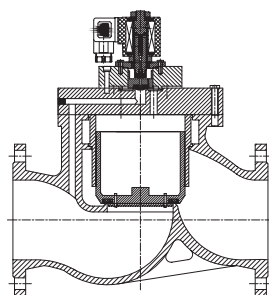
Body (mm)	DN12	DN15	DN20	DN25	DN32	DN40	DN50
A	73	73	83	100	130	130	155
B	48	48	60	72	96	96	122
C	113	113	125	138	140	140	149



YCP31F Series

YCP31F/YCP32F Series

Body (mm)	YCP3125F XXX	YCP3132F XXX	YCP3140F XXX	YCP3150F XXX
A	130	160	160	190
B	115	140	150	165
C	175	187	187	200
D	57.5	69	69	82.5



YCP31-F Series

Body (mm)	YCP65F XXX	YCP80F XXX	YCP100F XXX	YCP125F XXX	YCP150F XXX
L	290	310	350	400	480
D	185	200	220	250	285
D1	145	160	180	210	240
D2	118	132	156	184	211
B	20	20	22	22	24
F	3	3	3	3	3
N-φD	4-φ18	8-φ18	8-φ18	8-φ18	8-φ22