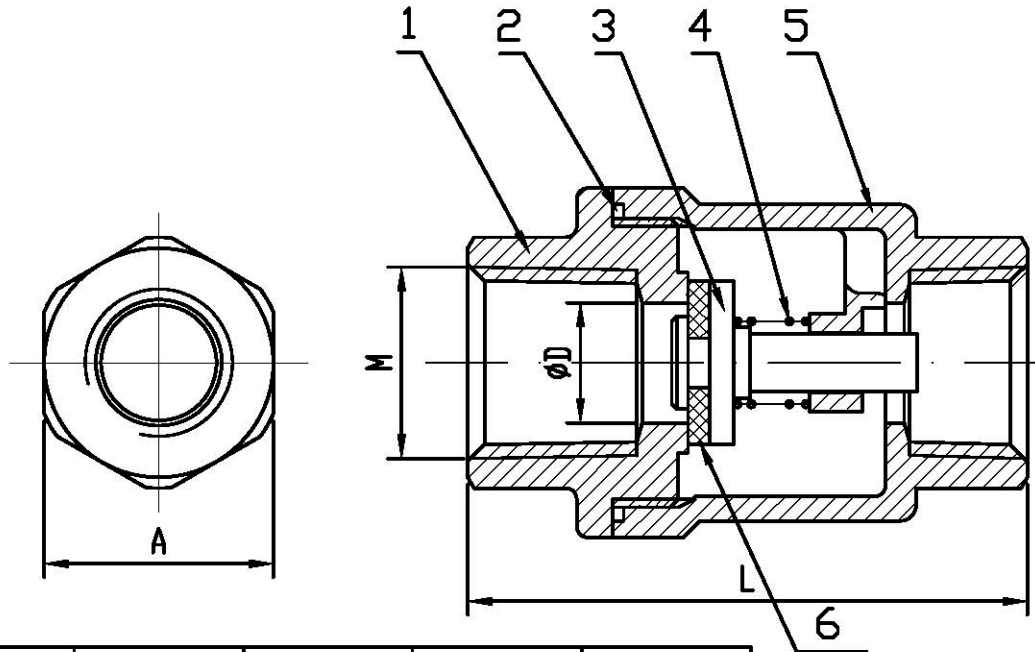


2PC Vertical Check Valve F/F

Model: 4021B

Features:

1. Pressure Rating: 1000PSI from DN08 to DN65 and 800PSI from DN80 to DN100
2. Working Temperature: -20° C to +180° C
3. Investment Casting
4. PED 2014/68/EU
5. Casting Approved AD2000-W0
6. Thread: ASME B1.20.1
BS21, DIN2999/259, ISO228-1, ISO7/1, JIS B 0203
7. Inspection Testing: API598, EN12266



SIZE	M	D	L	A
1/4"	1/4"	10	51.3	21
3/8"	3/8"	11	51.3	21
1/2"	1/2"	15	57	25
3/4"	3/4"	20	63.6	30.5
1"	1"	25	76.6	37
1 1/4"	1 1/4"	32	88.5	45.5
1 1/2"	1 1/2"	40	101.8	52.5
2"	2"	50	114.3	65
2 1/2"	2 1/2"	65	149.2	81.5
3"	3"	80	170.2	97
4"	4"	100	166.1	124

6	SEAL	NBR	1
5	BODY	CF8/CF8M	1
4	SPRING	304/316	1
3	VALVE CORE B	304/316	1
2	END SEAL	PTFE	1
1	CAP	CF8/CF8M	1
NO.	PART NAME	MATERIAL	Q' TY



2PC Vertical Check Valve F/F B Type