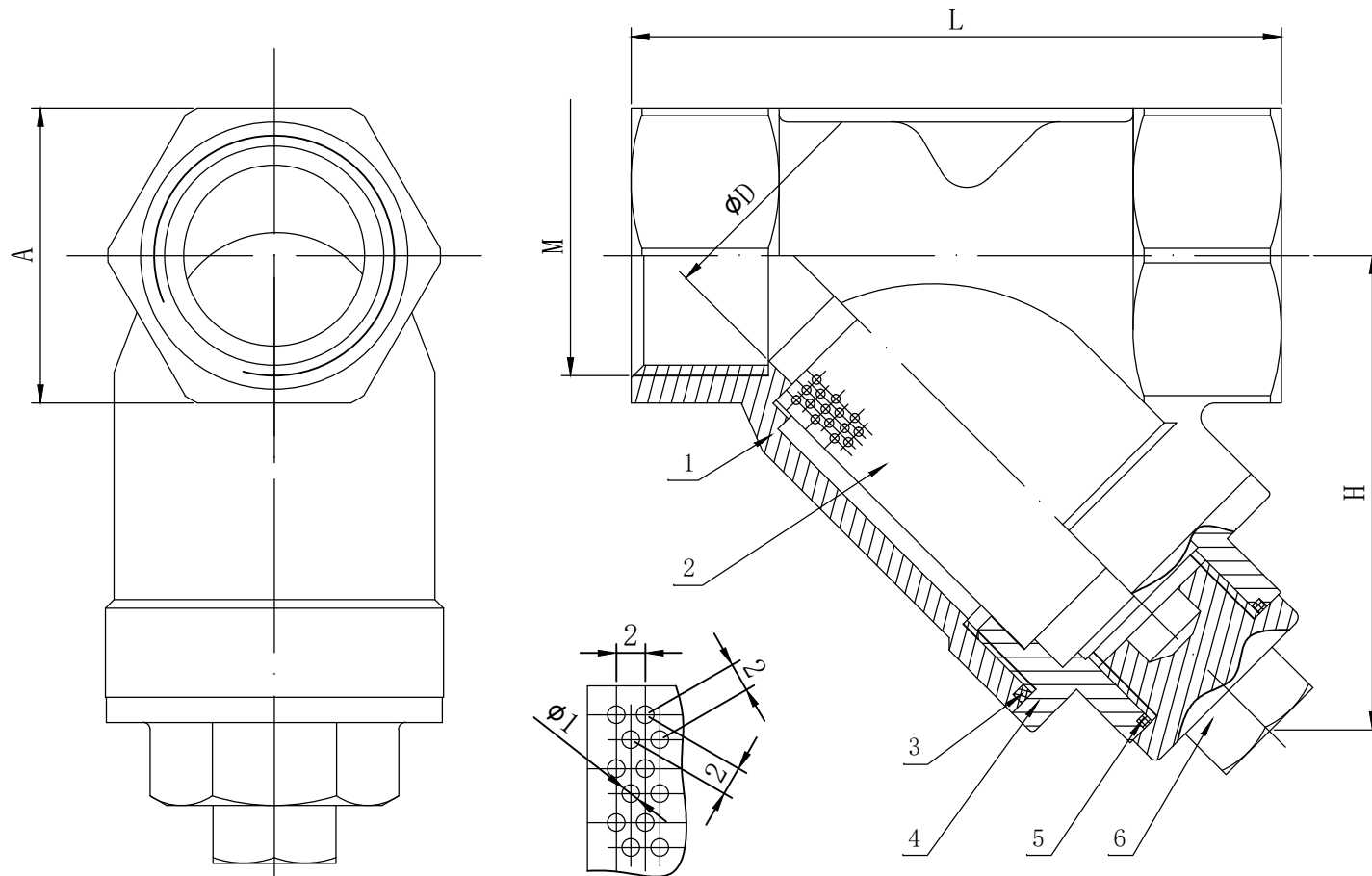
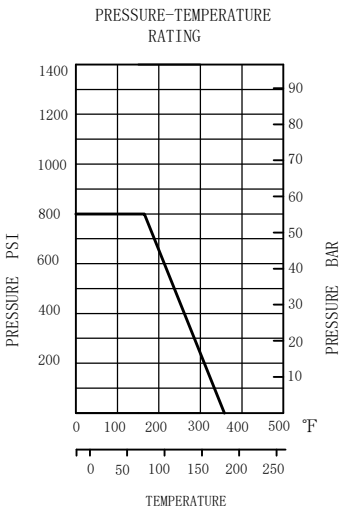


REVISE	DESCRIPTION	DATE
REV 01	add 2 1/2", 3"	2022.08.26



- Features:
1. Investment Casting
 2. PED 2014/68/EU
 3. Casting Approved AD2000-W0
 4. Thread: DIN2999/259, ISO228-1, ISO7/1, NPT
 5. Screen Mesh: 80 Mesh (Option)
 6. Inspection Testing: API598, EN12266-1



3"	3"	80	200	111.5	100
2 1/2"	2 1/2"	65	180	100	85.5
2"	2"	50	138	86	69
1 1/2"	1 1/2"	40	120	75	56
1 1/4"	1 1/4"	32	105	66	49
1"	1"	25	90	65	41
3/4"	3/4"	20	80	51	33
1/2"	1/2"	15	65	42	26
SIZE	M	D	L	H	A

Shape: 1/2" - 2 1/2" Hexagon
3" Octagon

6	THREAD PLUG	CF8/CF8M	1
5	PLUG GASKET	PTFE	1
4	BONNET	CF8/CF8M	1
3	END SEAL	PTFE	1
2	SCREEN	304/316	1
1	BODY	CF8/CF8M	1
NO.	PART NAME	MATERIAL	Q' TY
制图	审核	材质	比例
产品名称	Y-Strainer F/F With Plug Type I		
CangZhou Co-Win Metal Products Co., Ltd			