



JYH System





JYH System
Operational Manual

Contents

Thanks for purchasing our products
Model JYH electric actuators
Please read carefully this
Operational Manual before installing,
connecting the components and
field facility installing and operating.
Complying with the instructions in
the Manual will bring you a
convenient and efficient working.

01	Product Introduction	03	Standard parameters
04	Main technical parameters	05	Rated/starting current
06	Actuator mounting	11	Debugging of actuator
13	Wiring diagram	20	Trial run of actuator
20	Handling, transportation & storage	21	Order code
22	Overall dimensions		

1. Product Introduction

Model JYH electric actuator is a new-gen product in the company. The product provides more strong availability by applying many modes of power supply. Its shell is made from aluminum alloy materials and is more lightweight, however, its compress resistance and safety of internal electrical control is insured.

The product offers closed seal structure, which obtains IP67 certification, and internal standard moisture-proof resistance, of which the flameproof grade of flameproof product is Ex dIIBT4~T6 or Ex dIICT4~T6.

The products are widely applied for various fields such as metallurgy, petroleum, chemical industry, power plant, dyeing, water treatment, ship-making, paper-making, food processing, pharmacy and building automation system.



2. Standard parameters

Shell	Protection class IP67 Nema 4 and 6 optical: IP68
Ambient temperature	-25°C to +70°C
Ambient humidity	< 90% RH
Power supply	Single phase: 24V, 110V, 220V, 230V, 240V 50/60Hz Three-phase: 220V, 380V, 415V, 440V 50/60Hz DC: DC24V
Torque switch	ON/OFF, SPDT 250V AC 10A (except JYH-006, JYH-010)
Limit switch	ON/OFF, SPDT 250V AC 10A
Motor overheat protection	Built-in thermal protector 120°C±5°C
Stroke	90°±5°(0°~270° optical)
Indicator	360° visual indication (flameproof type: connection location indication)
Manual operation	Model JYH-006~JYH-060 manual/automatic clutch Model JYH-080~JYH-2000 no clutch
Self-lock device	Worm-and-wheel gear provided
Mechanical limit	External adjustable bolt
Dryer	Aluminum alloy moistureproof resistor (anti-condensation)
Terminal hole	Standard: 2-NPT3/4" customized for: M20~M25, PG13.5, PG16, PT3/4", PF3/4"
Grease	MoS2 grease (Model EP)
Main materials	Aluminum, steel, aluminum blue steel, 35CrMo or so
External coating	Epoxy polyester powder coating
Seismic resistance	Directions: x, z, y; Maximum acceleration: 12g; Frequency sweep: 10-55Hz; Vibration amplitude: 0.15mm; Time: 30minutes

3. Main technical parameters

Model No.	Output torque		Switching time (90/sec)			Protection class	Motor		Duty Cycle (CSA)	Max shaft diameter (mm)		Installation dimension ISO 5211	Handwheel Turns	Weight Kg
	N.m	Kg.m	50Hz	60Hz	DC24V		IP	Power rate (W)		Insulation class	S4(%)			
JYH 006	60	6	27	23	21	67/68	20	F	50	20	17	F05/F07	10	6.9
JYH 010	100	10	27	23	21	67/68	20	F	50	20	17	F05/F07	10	6.9
JYH 016	160	16	28	24	22	67/68	40	F	50	28	22	F07/F10	12	16.4
JYH 020	200	20	28	24	22	67/68	40	F	50	28	22	F07/F10	12	16.4
JYH 030	300	30	32	27	25	67/68	60	F	50	28	22	F10/F12	14	20.5
JYH 050	500	50	32	27	25	67/68	90	F	30	28	22	F10/F12	14	20.5
JYH 060	600	60	32	27	25	67/68	120	F	25	28	22	F10/F12	14	20.5
JYH 080	800	80	38	33	29	67/68	120	F	25	36	27	F10/F12 /F14	14.2	33.4
JYH 100	1000	100	43	37	33	67/68	120	F	25	36	27	F10/F12 /F14	14.2	33.4
JYH 130	1300	130	49	42	37	67/68	120	F	25	36	27	F10/F12 /F14	14.2	33.4
JYH 170	1700	170	34	28	26	67/68	200	F	25	45	36	F12/F14 /F16	16	44
JYH 200	2000	200	47	39	36	67/68	200	F	25	45	36	F12/F14 /F16	16	44
JYH 230	2300	230	47	39	36	67/68	200	F	25	45	36	F12/F14 /F16	16	44
JYH 350	3500	350	78	67	60	67/68	200	F	25	72	46	F14/F16	37	80
JYH 500	5000	500	108	92	82	67/68	200	F		72	46	F14/F16	37	80
JYH 800	8000	800	142	118	107	67/68	200	F		80	55	F16/F25	48	107
JYH 1300	13000	1300	102	86	—	67/68	900	F		95	75	F25/F30	132	250
JYH 1600	16000	1600	120	102	—	67/68	900	F		95	75	F25/F30	132	250
JYH 2000	20000	2000	147	123	—	67/68	900	F		95	75	F25/F30	132	250

4. Rated/starting current

Model No.	AC24V 50Hz		AC24V 60Hz		AC110V 50Hz		AC110V 60Hz		AC220V 50Hz		AC220V 60Hz		AC380V 50Hz		AC380V 60Hz		AC440V 50Hz		AC440V 60Hz		DC24V	
	Rated (A)	Starting (A)	Rated (A)	Starting (A)	Rated (A)	Starting (A)	Rated (A)	Starting (A)	Rated (A)	Starting (A)	Rated (A)	Starting (A)	Rated (A)	Starting (A)	Rated (A)	Starting (A)	Rated (A)	Starting (A)	Rated (A)	Starting (A)	Rated (A)	Starting (A)
JYH 006	4.2	6.6	5.1	7	1.1	1.52	1.3	1.65	0.52	0.73	0.64	0.78	0.18	0.35	0.15	0.32	0.15	0.3	0.12	0.26	2.53	7.78
JYH 010	4.2	6.6	5.1	7	1.1	1.52	1.3	1.65	0.52	0.73	0.64	0.78	0.18	0.35	0.15	0.32	0.15	0.3	0.12	0.26	2.53	7.78
JYH 016	5.5	7.1	7	8.1	1.4	1.8	1.8	1.9	0.72	0.9	0.92	1	0.28	0.68	0.24	0.63	0.25	0.52	0.21	0.5	4.2	11
JYH 020	5.5	7.1	7	8.1	1.4	1.8	1.8	1.9	0.72	0.9	0.92	1	0.28	0.68	0.24	0.63	0.25	0.52	0.21	0.5	4.2	11
JYH 030	9.2	17.8	11.2	17.7	2.5	4.4	2.4	4.5	1.42	2.5	1.4	2.31	0.38	1.1	0.32	0.92	0.28	0.75	0.25	0.7	5.7	26
JYH 050	9.2	17.8	11.2	17.7	2.4	4.2	3.2	4.3	1.38	2.3	1.65	2.2	0.41	1.16	0.37	1.1	0.3	0.9	0.27	0.85	7.3	23
JYH 060	12.8	25	13.5	24.1	3.1	6	3.5	5.8	1.75	3.3	1.92	3.1	0.41	1.16	0.37	1.1	0.3	0.9	0.27	0.85	7.3	23
JYH 080	12.8	25	13.5	24.1	3.1	6	3.5	5.8	1.75	3.3	1.92	3.1	0.41	1.16	0.37	1.1	0.3	0.9	0.27	0.85	7.3	23
JYH 100	12.8	25	13.5	24.1	3.1	6	3.5	5.8	1.75	3.3	1.92	3.1	0.41	1.16	0.37	1.1	0.3	0.9	0.27	0.85	7.3	23
JYH 130	12.8	25	13.5	24.1	3.1	6	3.5	5.8	1.75	3.3	1.92	3.1	0.41	1.16	0.37	1.1	0.3	0.9	0.27	0.85	7.3	23
JYH 170	12.5	26.6	14.6	25.4	3.3	7	3.8	6.7	1.52	3.54	1.94	3.3	0.8	2.3	0.72	2.1	0.62	1.9	0.6	1.8	17	55
JYH 200	12.5	26.6	14.6	25.4	3.3	7	3.8	6.7	1.52	3.54	1.94	3.3	0.8	2.3	0.72	2.1	0.62	1.9	0.6	1.8	17	55
JYH 230	12.5	26.6	14.6	25.4	3.3	7	3.8	6.7	1.52	3.54	1.94	3.3	0.8	2.3	0.72	2.1	0.62	1.9	0.6	1.8	17	55
JYH 350	12.5	26.6	14.6	25.4	3.3	7	3.8	6.7	1.52	3.54	1.94	3.3	0.8	2.3	0.72	2.1	0.62	1.9	0.6	1.8	17	55
JYH 500	12.5	26.6	14.6	25.4	3.3	7	3.8	6.7	1.52	3.54	1.94	3.3	0.8	2.3	0.72	2.1	0.62	1.9	0.6	1.8	17	55
JYH 800	12.5	26.6	14.6	25.4	3.3	7	3.8	6.7	1.52	3.54	1.94	3.3	0.8	2.3	0.72	2.1	0.62	1.9	0.6	1.8	17	55
JYH 1300														2.6	5.4	1.7	5.73					
JYH 1600														2.6	5.4	1.7	5.73					
JYH 2000														2.6	5.4	1.7	5.73					

5. Actuator mounting

5.1 Installation site

5.1.1 Installation notes

- The place where there is explosive gas shall be installed explosive-proof actuator;
- Please pre-specify when the actuator is installed at the place where is floodout;
- When installing the power cable, its outer diameter shall be fit in the inner diameter of waterproof connector, otherwise, the outdoor rains will enter the inner of actuator via waterproof cable connector to destroy the internal components;
- Please reserve the space for wiring, manual operation or maintenance;

5.1.2 Ambient temperature

- Its ambient temperature is range within -25°C~+70°C(other temperature shall be customized);
- When the ambient temperature is below -25°C or above 70°C, please contact our technical department in advance so as to offer a specific solution; (standard dryer applicable for each specification)

5.1.3 The fluid temperature condition in the pipeline

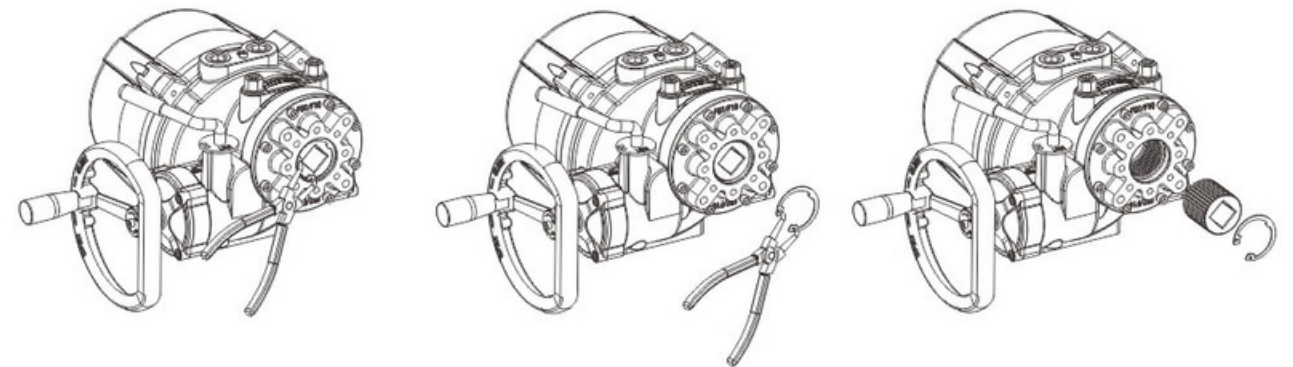
- When being supported to the application of valve, the heat of fluid in the pipeline will be transferred to the actuator, the temperature of actuator shell will rise up; if the actuator is applied for the site where the temperature of fluid in the pipeline is higher than 80°C, please do not hesitate to contact our technical department so as to offer a specific solution; (the support shall be installed at the valve connection to provide the heat insulation).

5.1.4 High-frequency vibration work condition in the pipeline

- the intelligent actuator applied for high-frequency vibration occasion shall offer split installation;

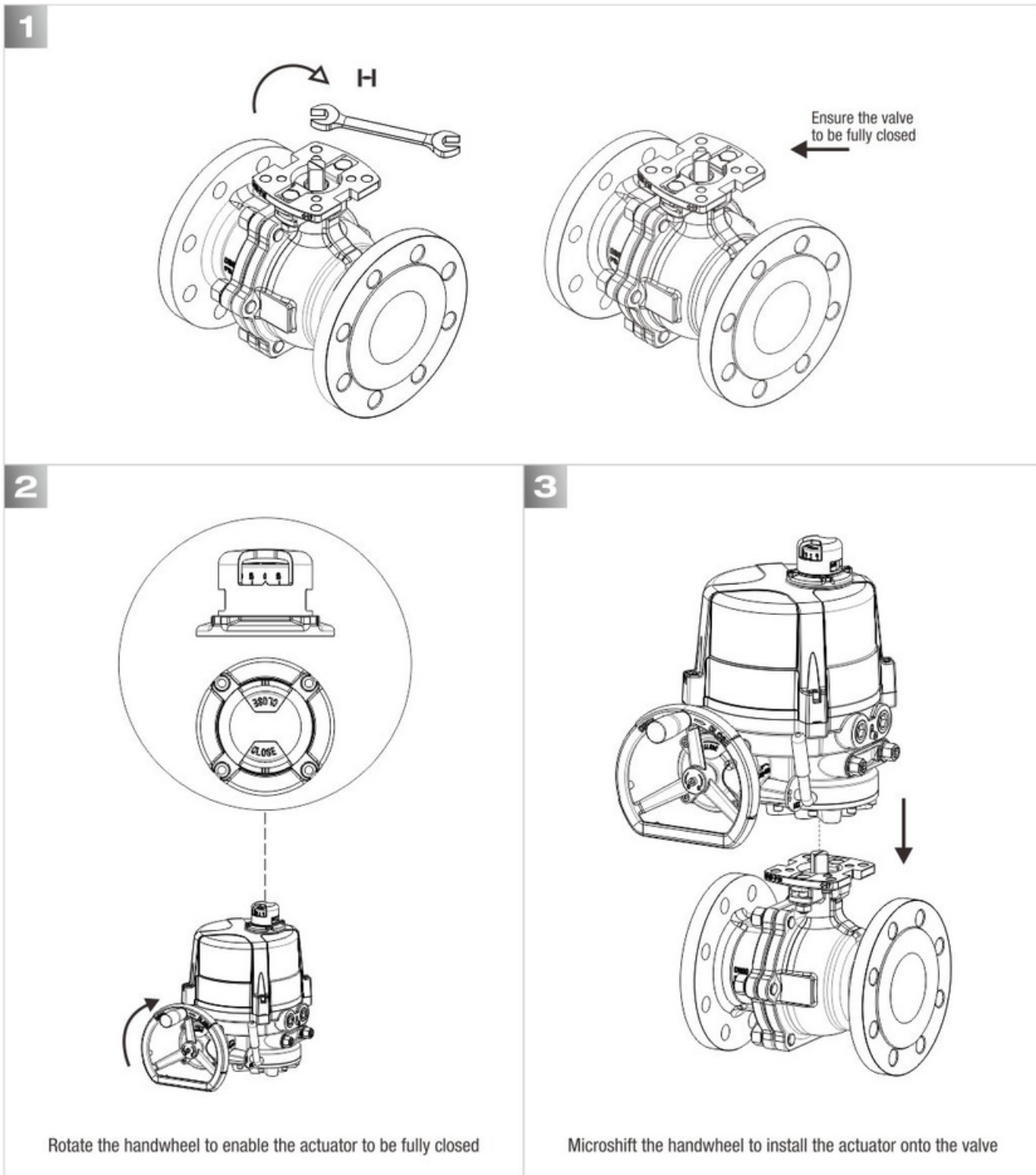
5.2 Output connection of actuator

- The bottom flange installation hole of actuator accords with ISO5211 standard, when the connection dimension of valve does not accord with the stipulation, please do not hesitate to contact our technical department in advance so as to offer a specific solution; (it shall be re-punched or provide the support or connecting sleeve)
- According to the different connection spindle of valve, the internal holes at the actuator bottom can be customized for squaring hole, round hole or double-end hole with various sizes; it is simple for replacement, just use circlip pliers to take out the bottom circlips of spline housing;

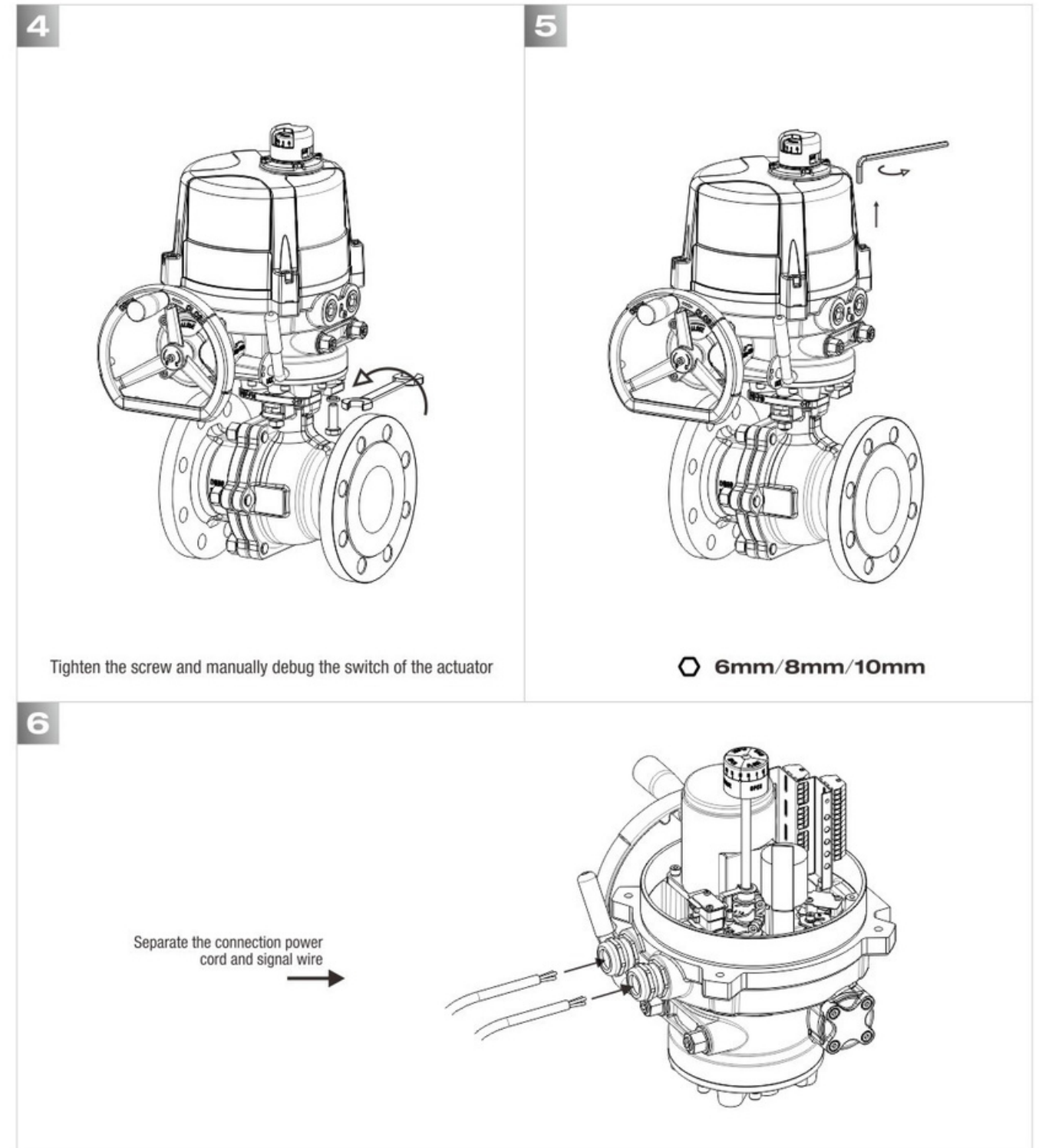


5. Actuator mounting

5.5 Installation sequence of actuator and valve



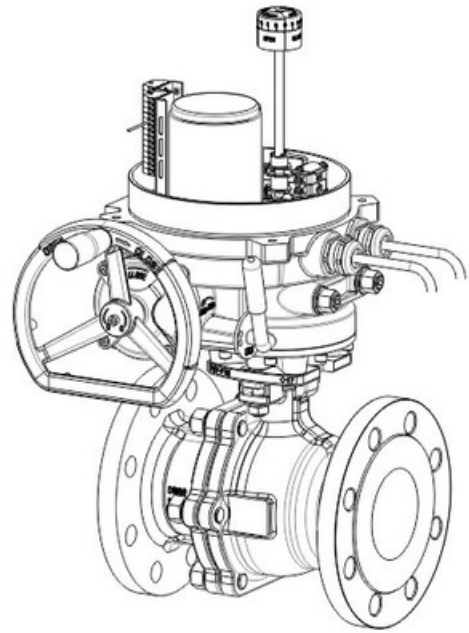
5. Actuator mounting



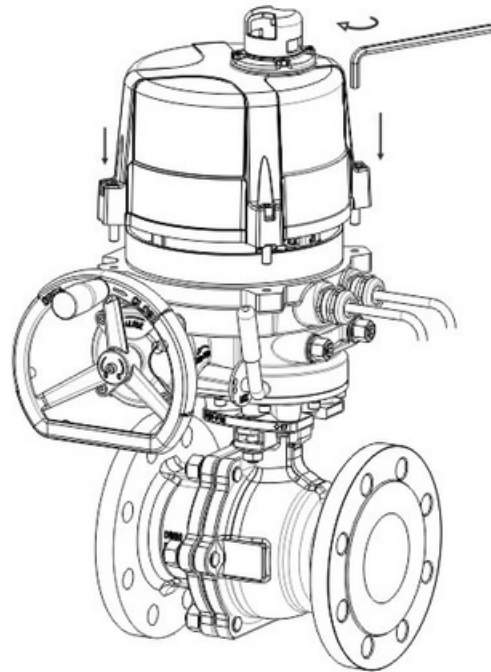
Note: The picture is only for reference of installation sequence, please subject to object matter of actuators.

5. Actuator mounting

7



8



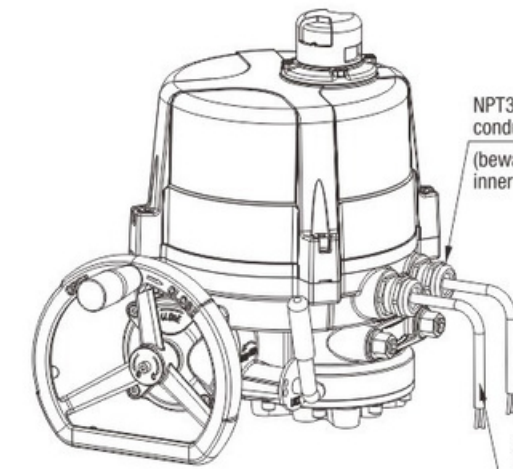
6mm/8mm/10mm

5.4 Electrical wiring

- Unload end cap available for the connecting of external cable, please apply explosive-proof connector or explosive-proof flexible cable conduit with external thread of NPT3/4";
- When the cable connector does not fit in the electrical connection of actuator, which may result in the decreasing of inner sealing grade and fail to meet the protection requirements, or the inner of actuator will be flooded as a result the actuator will be destroyed;
- When the conduit is used, please take adequate waterproof measures;
- Disassemble the upper cover of actuator, press down the metal dome equipped in the little hole on the connecting terminal by slotted screwdriver, and insert the lead wire to lateral wiring hole, pull out the screwdriver, it is ready when the spring clamping mechanism in the connecting terminal firmly clamps the wire;

5. Actuator mounting

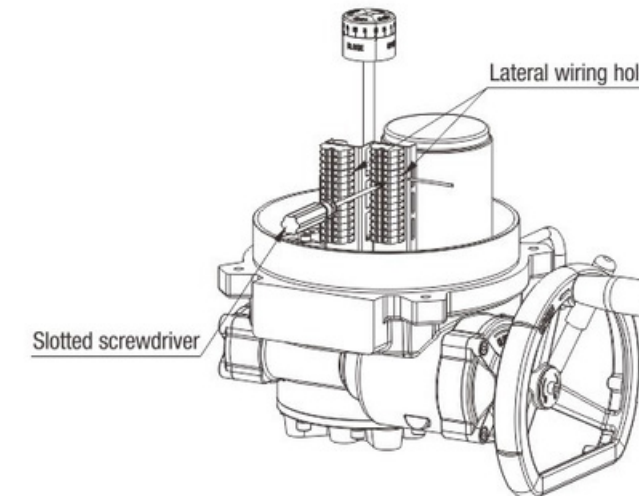
9



NPT3/4" explosive-proof flexible conduit or waterproof connector
(beware of water penetrating the inner of actuator via here)

In order to guarantee the water resistance of actuator, please select proper diameter of electric cable

10



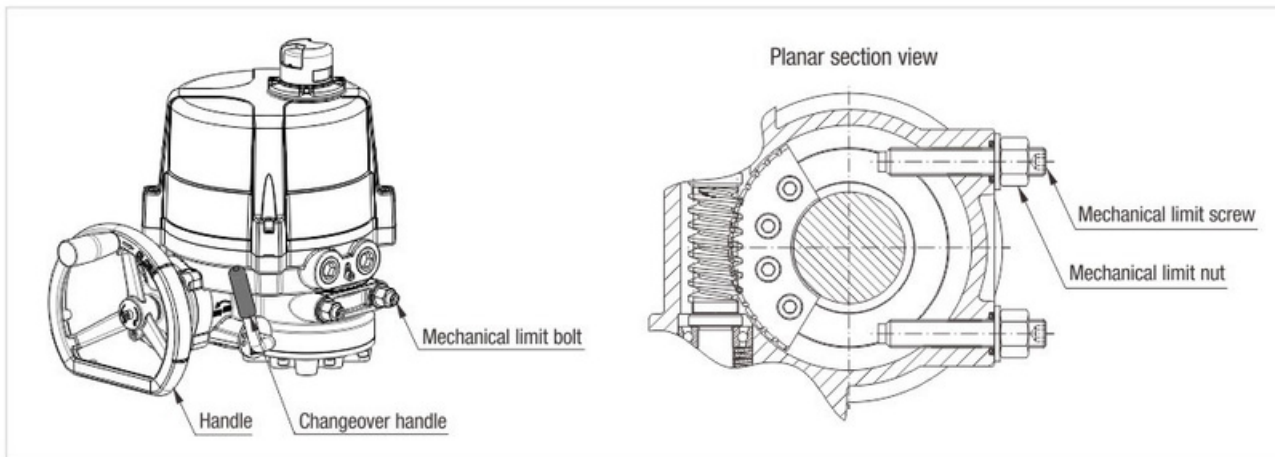
Note:

1. Before finishing all wiring examination, it shall not get power on, the short circuit or error wiring will result in the permanent damage of actuator!
2. Please follow the switching instructions, when the switch exceeds the fully-opened or fully-closed position, please never exert force onto the handwheel or handle so as not to destroy the actuator!

6. Debugging of actuator

6.1 Adjustment of mechanical limit

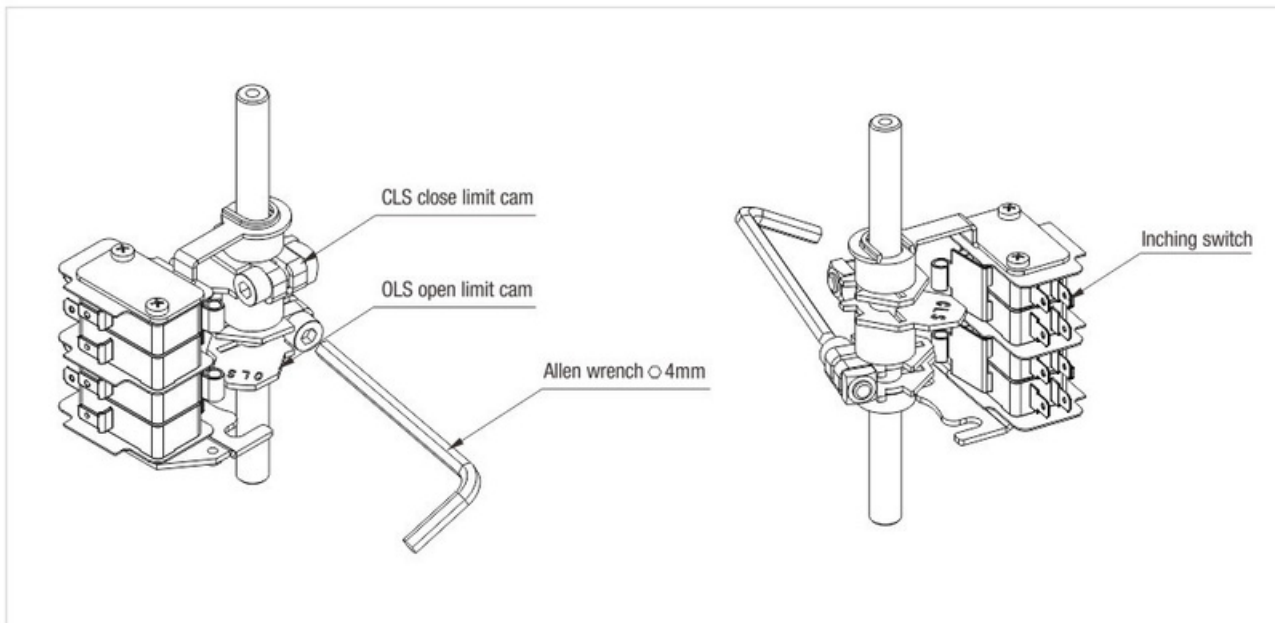
Loosen the mechanical limit screw and nut, rotate the handwheel by left hand while press down the switchover handle as per the direction of arrow by right hand so as to enable the clutch in the mechanism to be intermeshed and result in the manual operation status (the changeover handle will automatic restored without human interference as powers on), continue to rotate clockwise the handwheel to full-closed position, and then rotate the limit screw until it touches the internal fan-shaped worm gear, and rotate two cycles in reversal direction, finally fasten the nut. In such procedures, the mechanical limit position is set as the actuator is fully closed. The fully-opened position is set by rotating anticlockwise following the same procedures.



Note: Model JYH 006~060 manual or automatic changeover shall require changeover handle (functioned with auto reset by electrifying), Model 080~2000 requires no changeover handle

6.2 Adjustment of electronic range limit

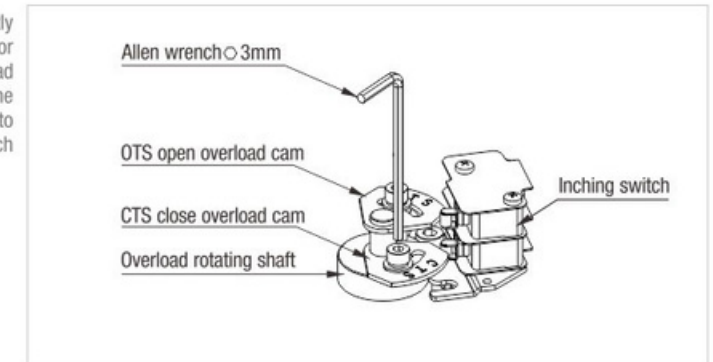
Close fully the valve manually and loosen the close direction limit cam, and adjust to the position where exactly press down the close limit switch, and then lock the limit cam, in such a way, the fully-closed limit of the actuator is well adjusted; the fully-opened position is set in same procedures;



6. Debugging of actuator

6.3 Adjustment of overload protection device

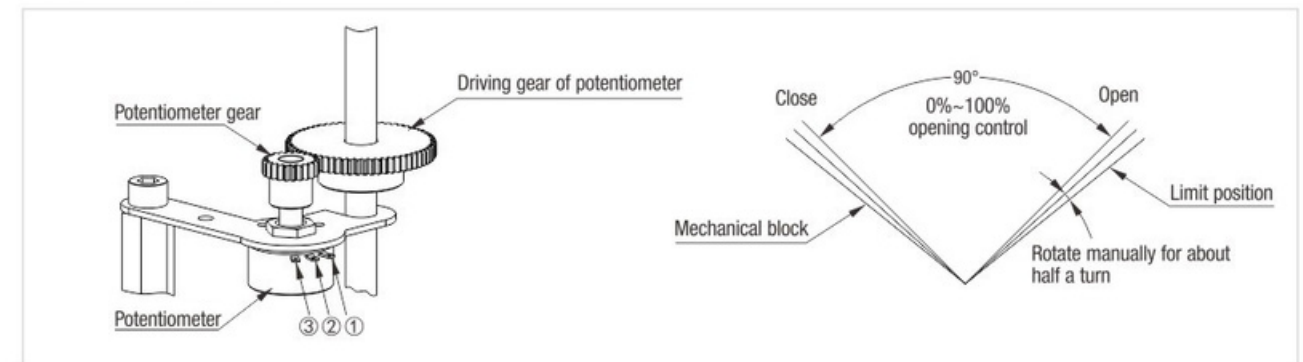
Under normal work pressure of valve, adjust the overload cam to exactly touch the roller of inching switch without suppressing. When the open or close valve required is larger than the ex-factory rated torque, the overload rotating shaft will be rotated clockwise or anti-clockwise, and drive the above-mentioned overload cam to suppress the inching switch so as to attain the stopping function and output an over torque instructions, which can protect the electric valve.



Note: Overload protection device has been well adjusted as delivery, and requires no adjustment in principle; if being adjusted, the valve shall be done under normal working pressure.

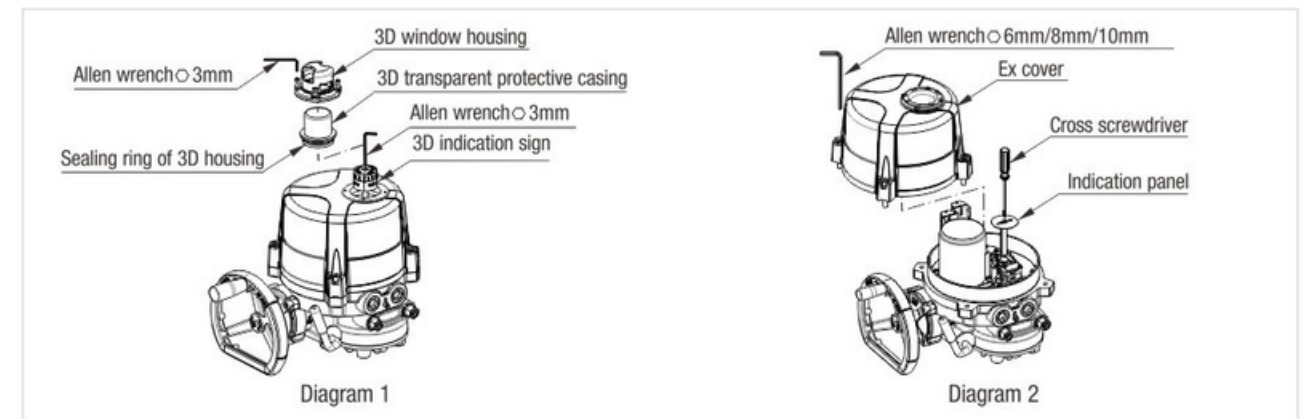
6.4 Adjustment of potentiometer

The potentiometer is a feedback output in the actuator, and provides three output terminals, where terminal #2 is connected to the slide arm of the potentiometer, terminal #1 is connected to the actuator, as the actuator makes open action, the resistor connected to the slide arm is decreased continuously, while terminal #3 connected to the actuator, as the actuator makes close action, the resistor connected to the slide arm is decreased continuously (note: the potentiometer shall not be zero resistor or frequency hopping). Rotate manually the valve to fully-opened position until it reaches the limit switch position, measure it with universal meter, the resistor of terminal #1, #2 is adjusted to the value between 40~65Ω. If not correct, rotate the transmission cam of the potentiometer to adjust accordingly.



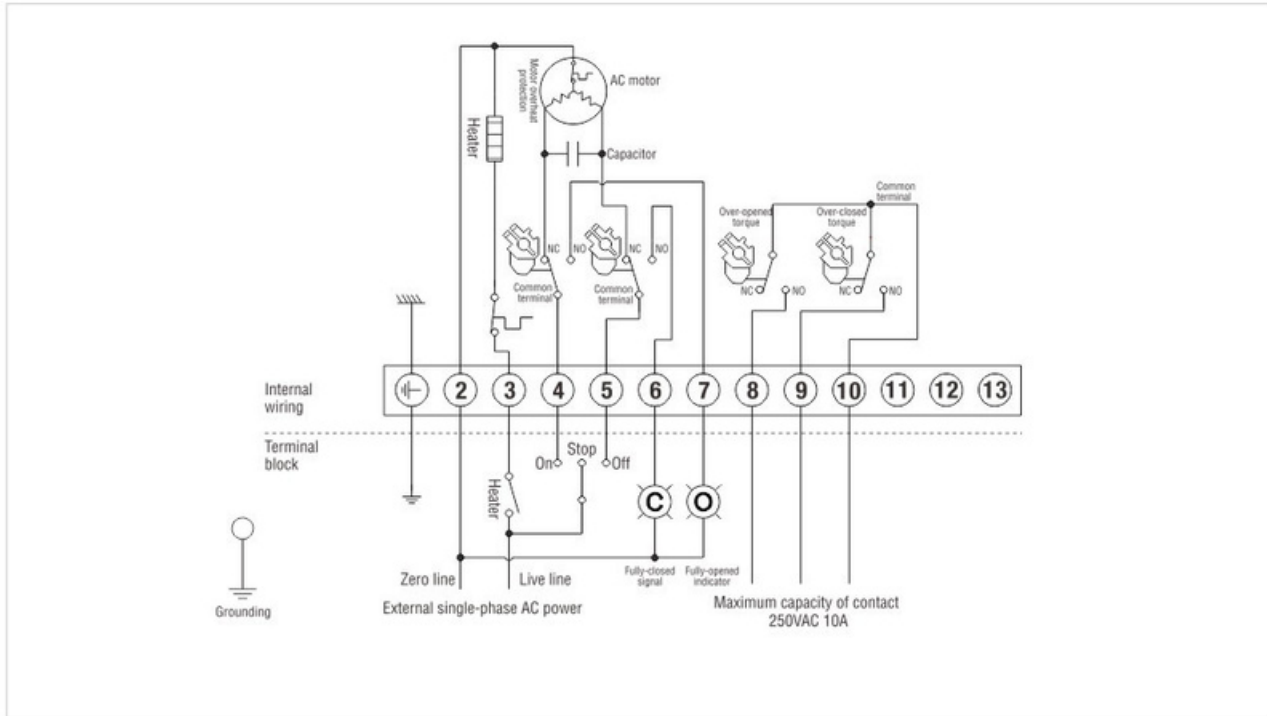
6.5 Adjustment of position indicator

Firstly close the valve to an exact position, disassemble 3D window housing and 3D transparent protective casing, loosen the 3D indication sign by Allen wrench, rotate to an exact position and lock up, reassemble successively (shown in Diagram 1). Firstly close the valve to an exact position, open Ex cover, loosen the indication panel by cross screwdriver, rotate to an exact position and lock up, reassemble successively (shown in Diagram 2).

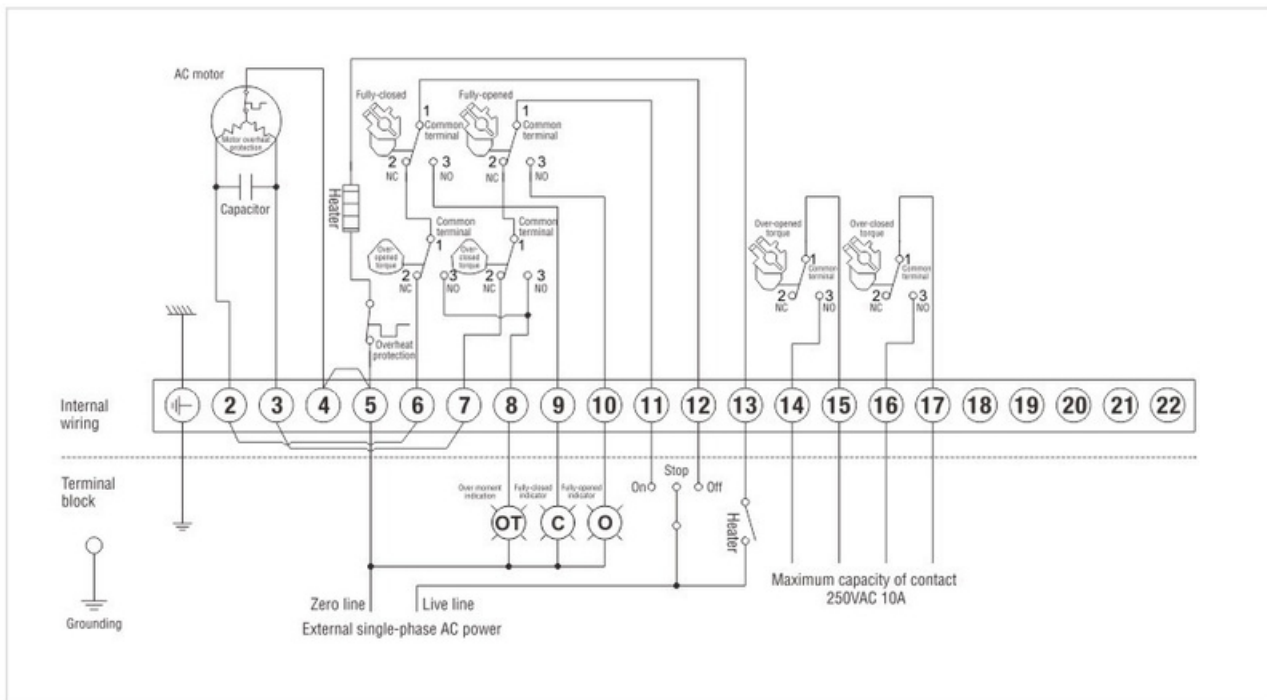


7. Wiring diagram

7.1 JYH-006B/K1~010B/K1 AC24V, AC110V, AC220V-50Hz/60Hz (Basic switching type)

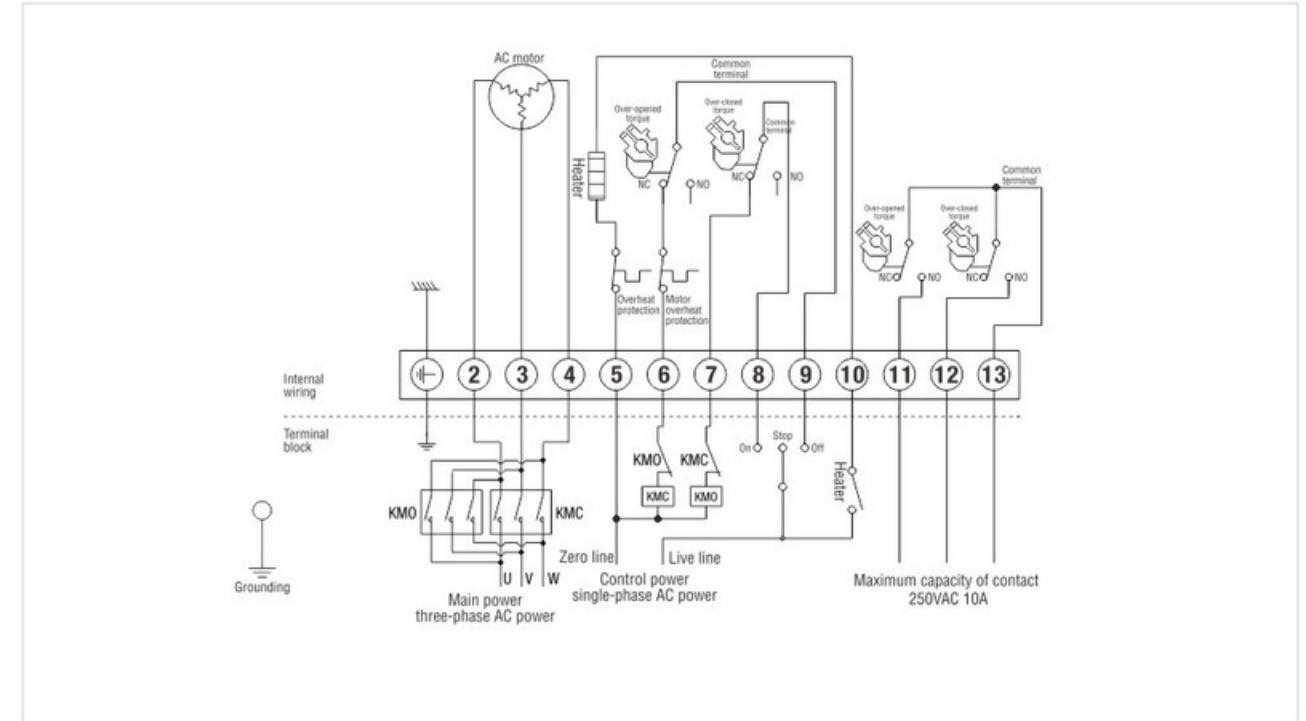


7.2 JYH-016B/K1~800B/K1 AC24V, AC110V, AC220V-50Hz/60Hz(Basic switching type)

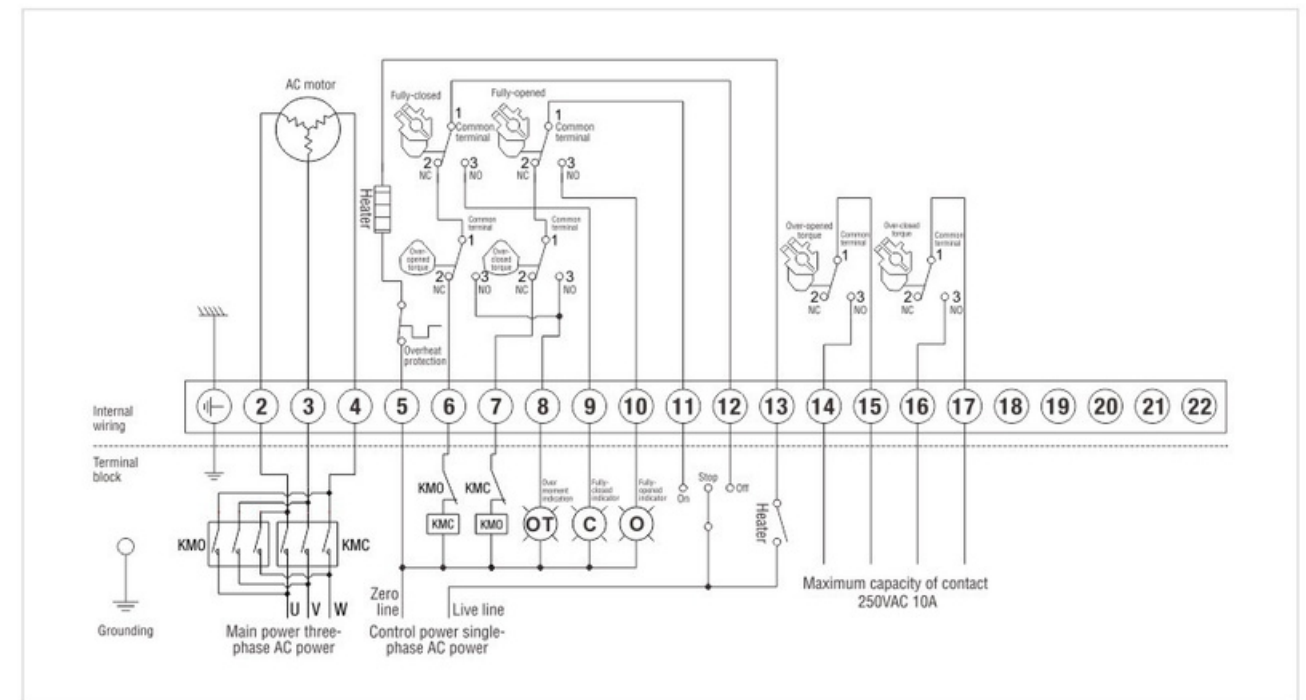


7. Wiring diagram

7.3 JYH-006B/K1~010B/K1 AC24V, AC110V, AC220V-50Hz/60Hz (Basic switching type)

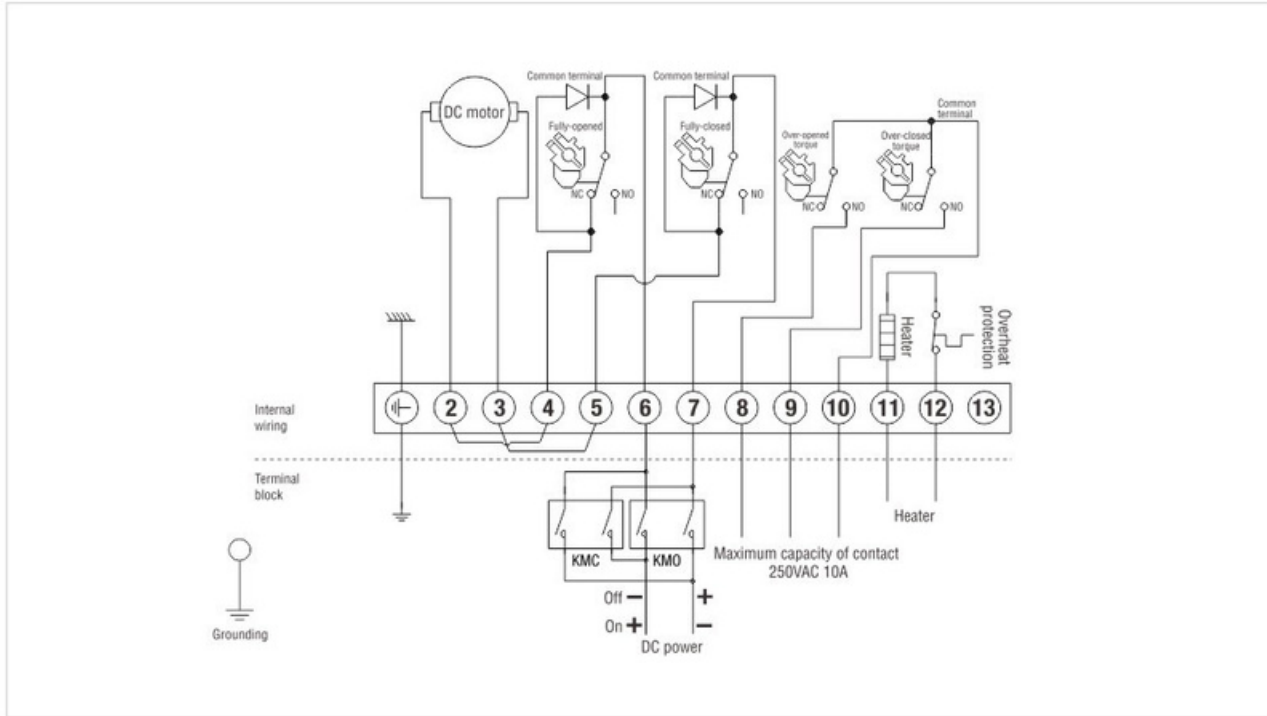


7.4 JYH-016B/K1~2000B/K1 AC380V, AC440V-50Hz/60Hz(Basic switching type)

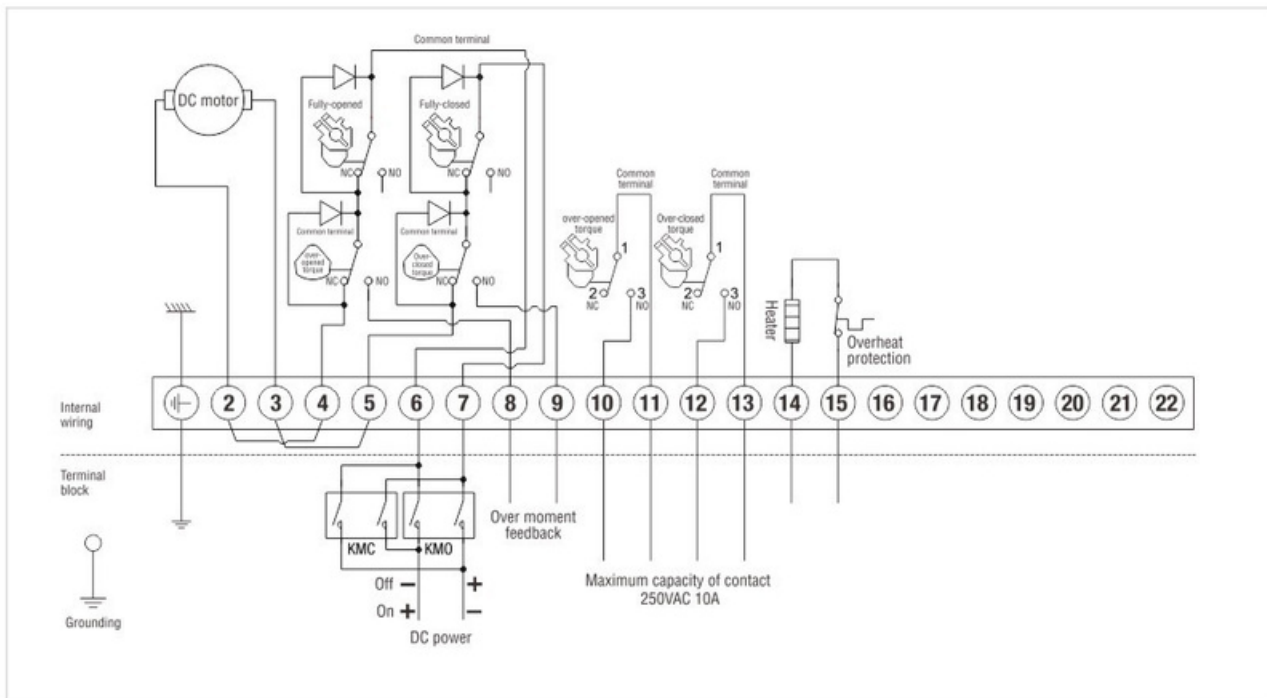


7. Wiring diagram

7.5 JYH-006B/K1~010B/K1 DC24V-50Hz/60Hz(Basic switching type)

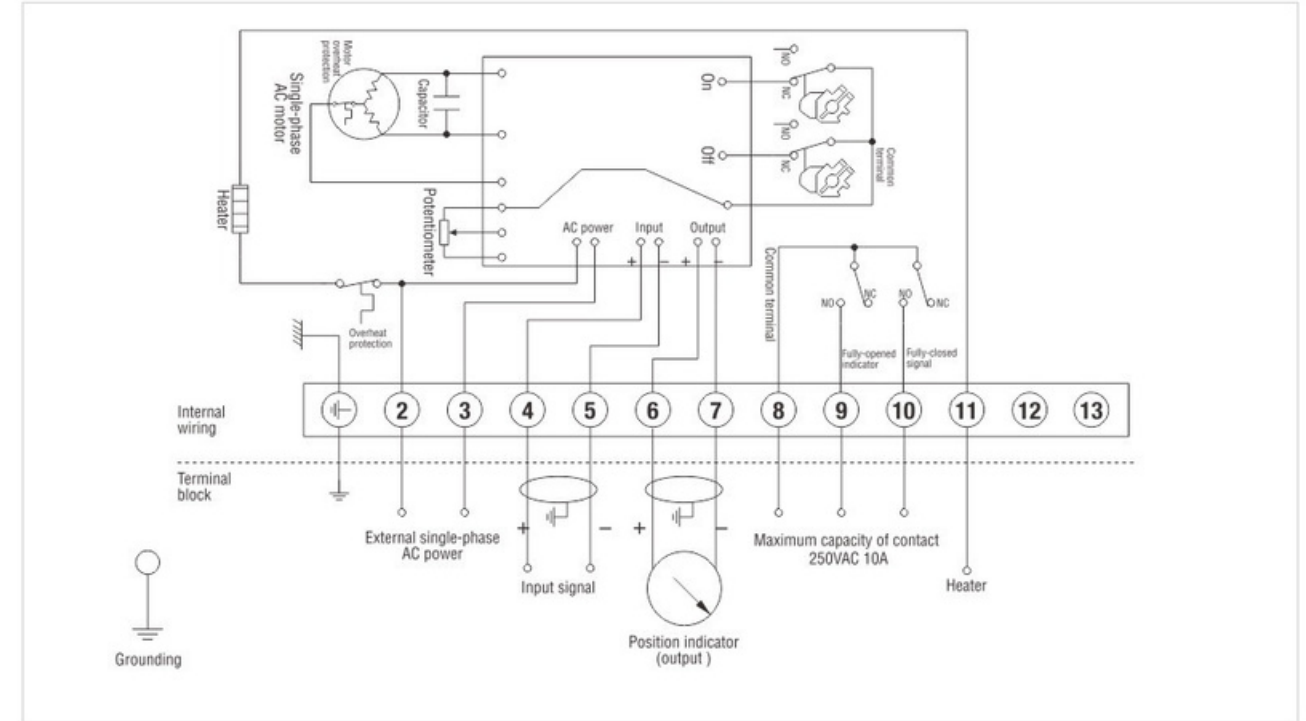


7.6 JYH-016B/K1~800B/K1 DC24V-50Hz/60Hz(Basic switching type)

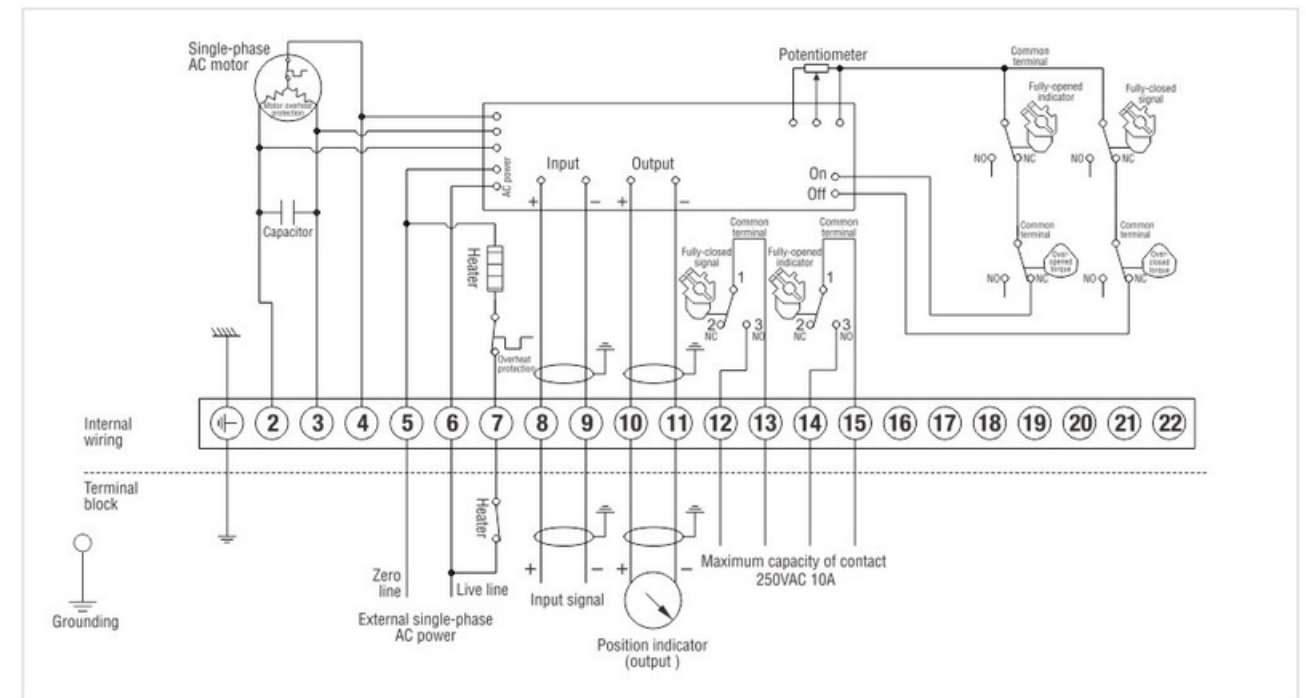


7. Wiring diagram

7.7 JYH-006G/K2~010G/K2 AC110V, AC220V-50Hz/60Hz(Common regulating type)

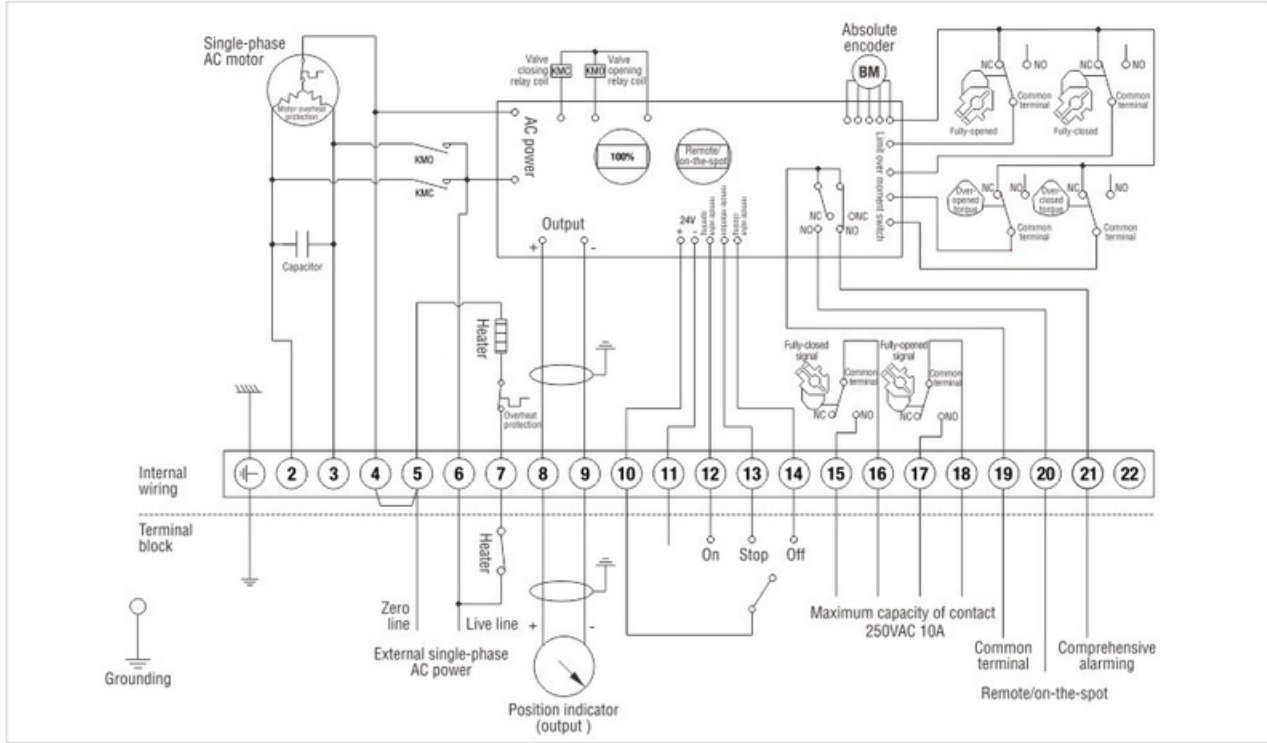


7.8 JYH-016G/K2~800G/K2 AC110V, AC220V-50Hz/60Hz(Common regulating type)

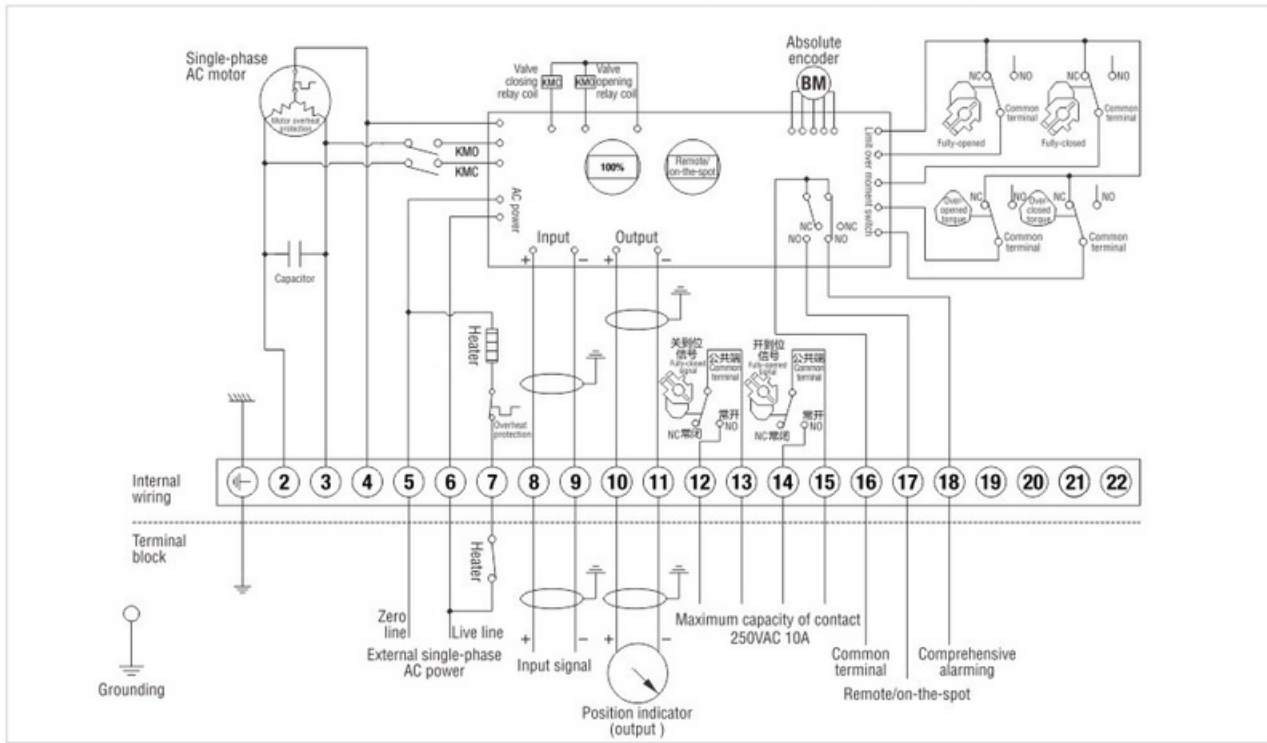


7. Wiring diagram

7.9 JYH-006Y/K1~800Y/K1 AC110V, AC220V-50Hz/60Hz(Non-intrusive intelligent all-in-one switching type)

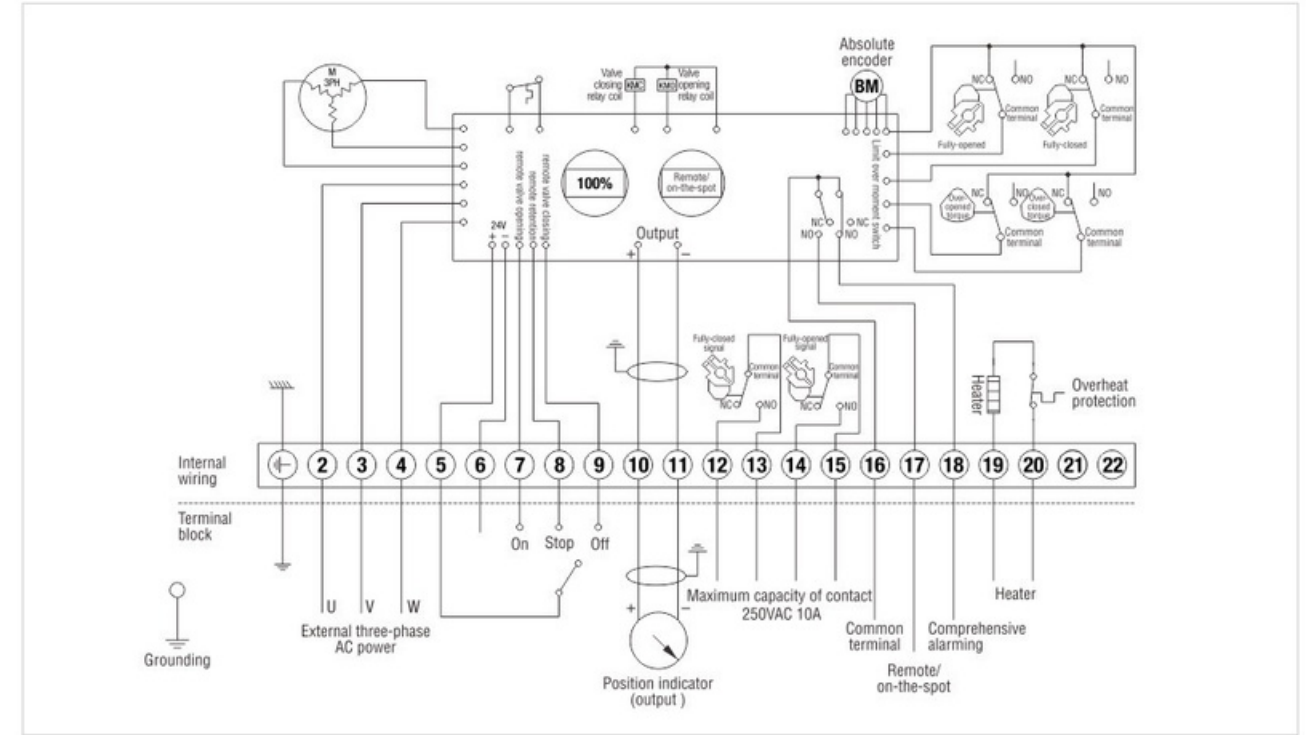


7.10 JYH-006Y/K2~800Y/K2 AC110V, AC220V-50Hz/60Hz(Non-intrusive intelligent all-in-one regulating type)

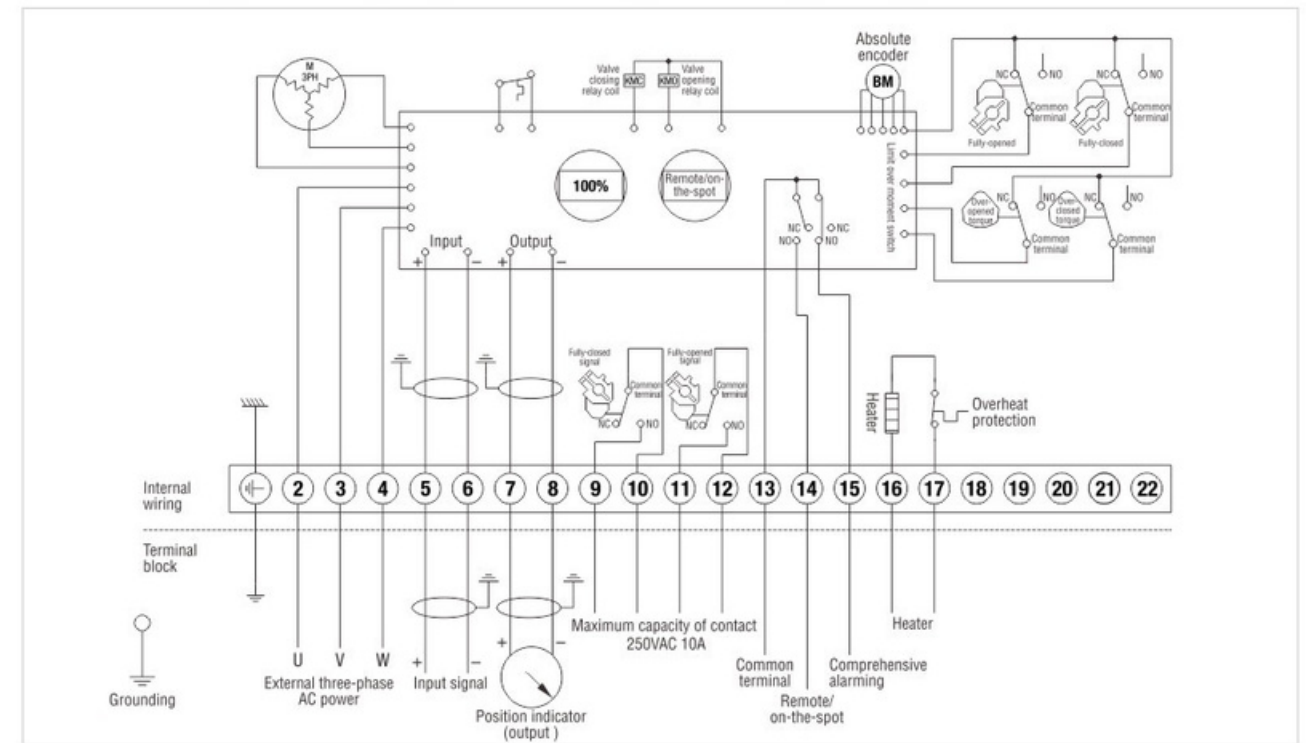


7. Wiring diagram

7.11 JYH-006Y/K1~800Y/K1 AC380V-50Hz/60Hz(Non-intrusive intelligent all-in-one switching type)

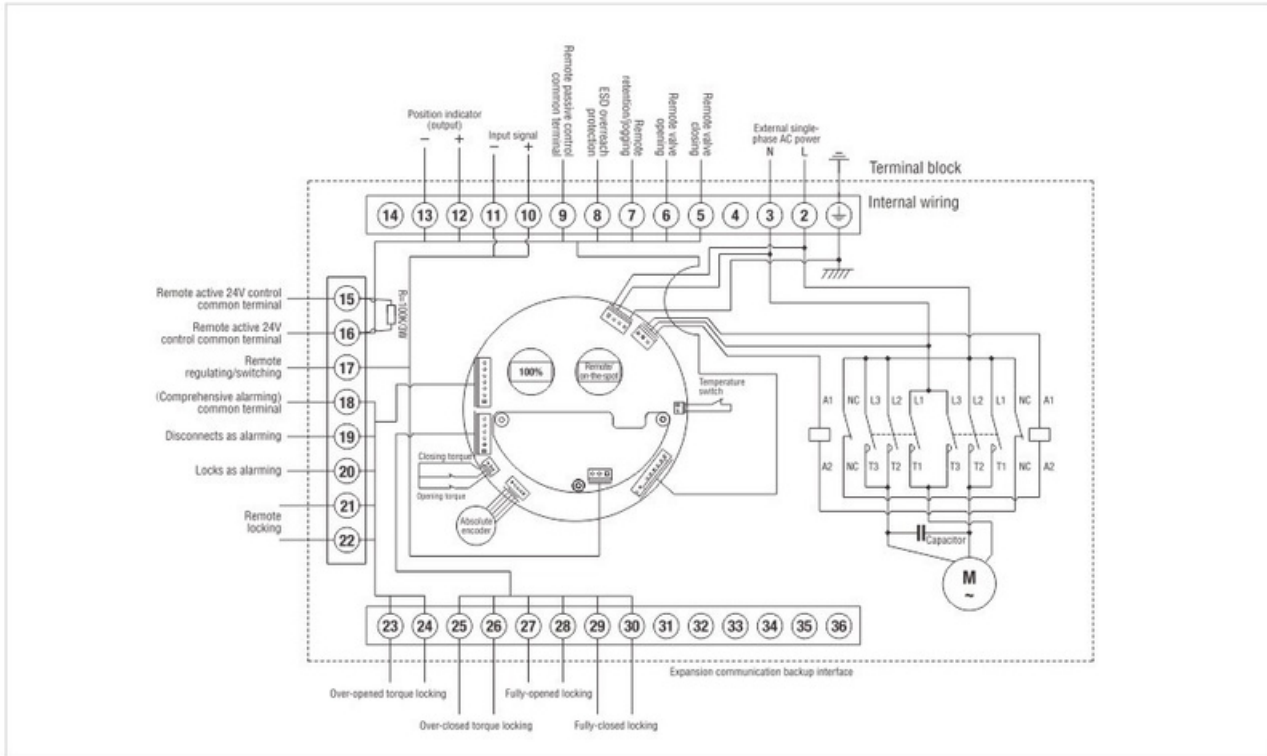


7.12 JYH-006Y/K2~800Y/K2 AC380V-50Hz/60Hz(Non-intrusive intelligent all-in-one regulating type)

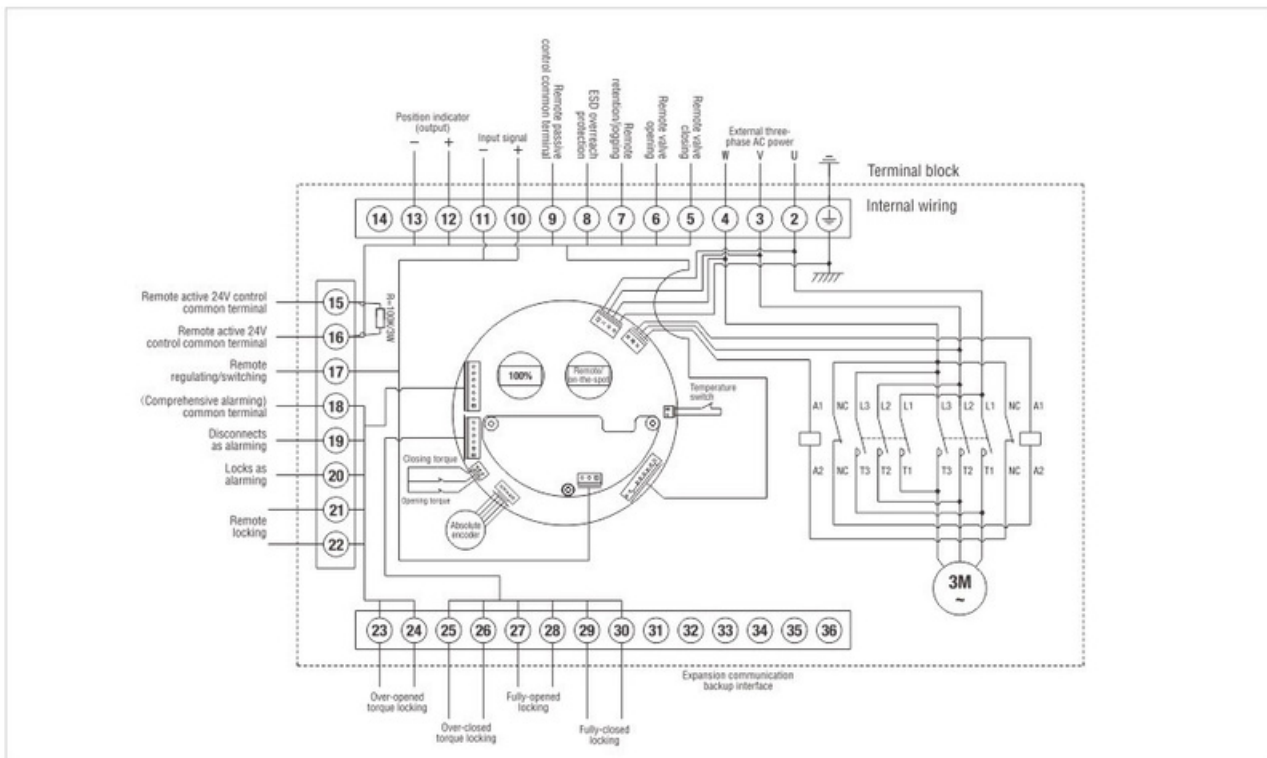


7. Wiring diagram

7.13 JYH-006S~800S AC220V-50Hz/60Hz(Super intelligent type)



7.14 JYH-006S~2000S AC380V-50Hz/60Hz(Super intelligent type)



8. Trial run of actuator

8.1 Manual operation

Please cut off power supply when making manual operation; rotate the handwheel by left hand while press down the switchover handle as per the direction of arrow by right hand so as to enable the clutch in the mechanism to be intermeshed and result in the manual operation status (the changeover handle will automatic restored without human interference as powers on), continue to rotate clockwise or anti-clockwise (the opening can be viewed by window)



Note: - As manual switch gets in place, it touches the mechanical limit block, over rotating will result in damage, so it shall be exerted too heavy force.
- Model JYH 006~060 manual-automatic changeover requires changeover handle (functioned with auto reset as powers on), Model 080~2000 requires no changeover handle.

8.2 Electric operation

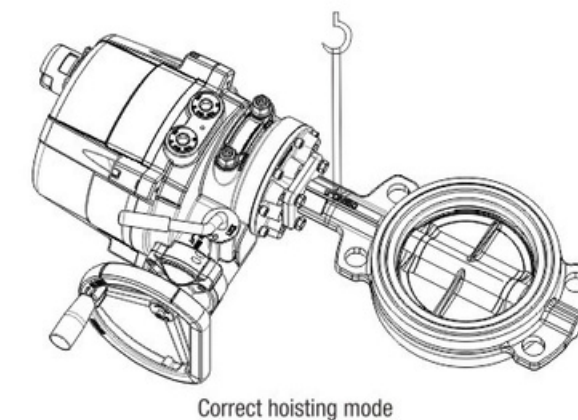
- Before electric operation, please apply manual operation to check the opening window of actuator to accord with the closing or opening of valve angle or not;
- Check that the wiring is correct (wiring strictly in accordance with ex-factory internal wiring diagram);
- Begin the electric operation after confirming all procedures mentioned.

Note: - Never change the internal circuit in the actuator.
- Before using, please check that wiring diagram, power supply, input/output signal is correct.
- Please contact our technical department for other unmentioned or special specifications information.

9. Handling, transportation & storage

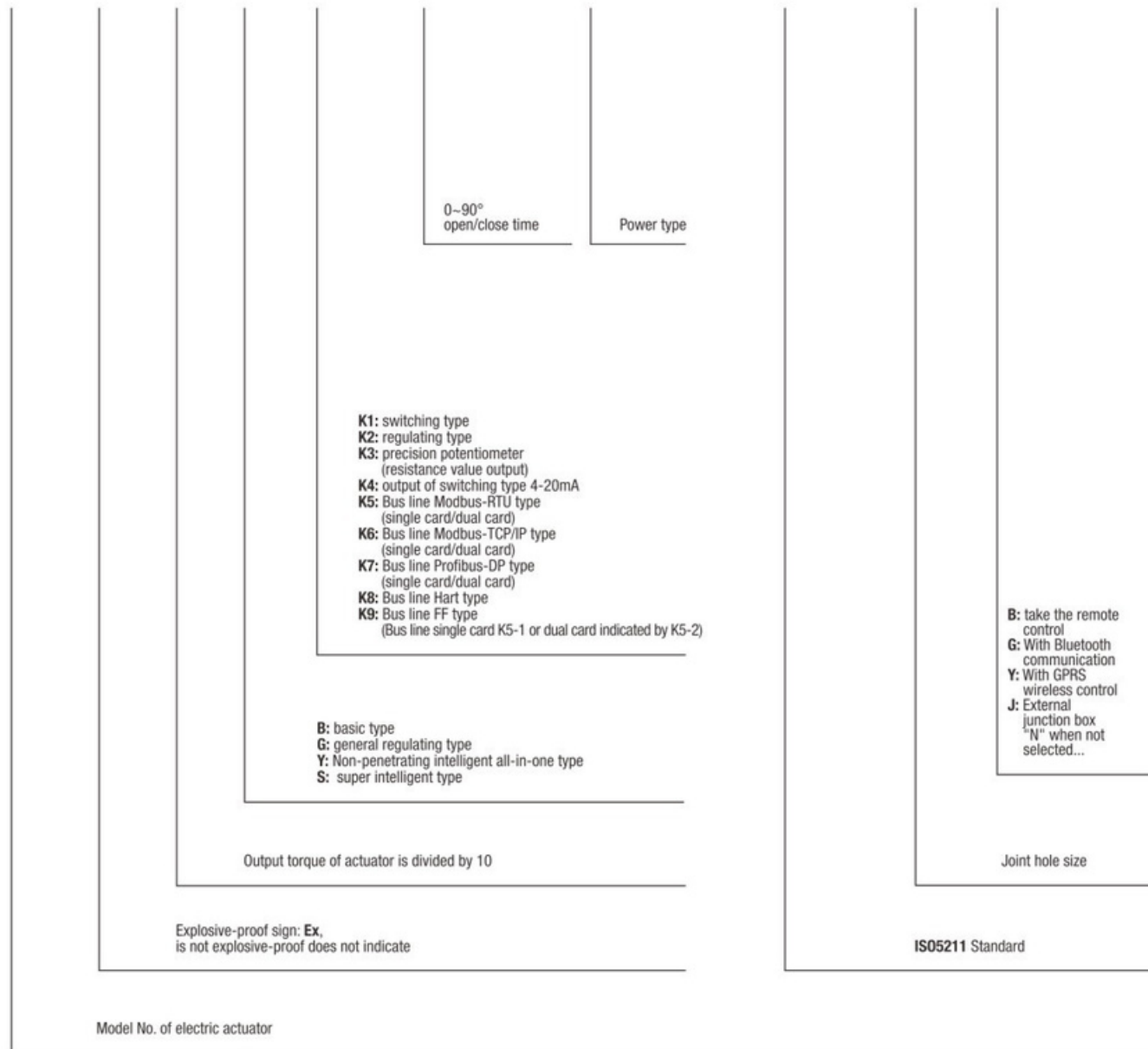
9.1 Handling and transportation

- When the product is transported or installed, the hoisting by rope or hook shall not be done at the handwheel or changeover handle for the avoidance of releasing of the handwheel from the mechanism or fallen down or damaging.
- If the electric actuator has been installed on the valve, as hoisting the large-specification valve, please do not hoist the electric actuator by rope or hook for the avoidance of the damage of the electric actuator.



10. Order code

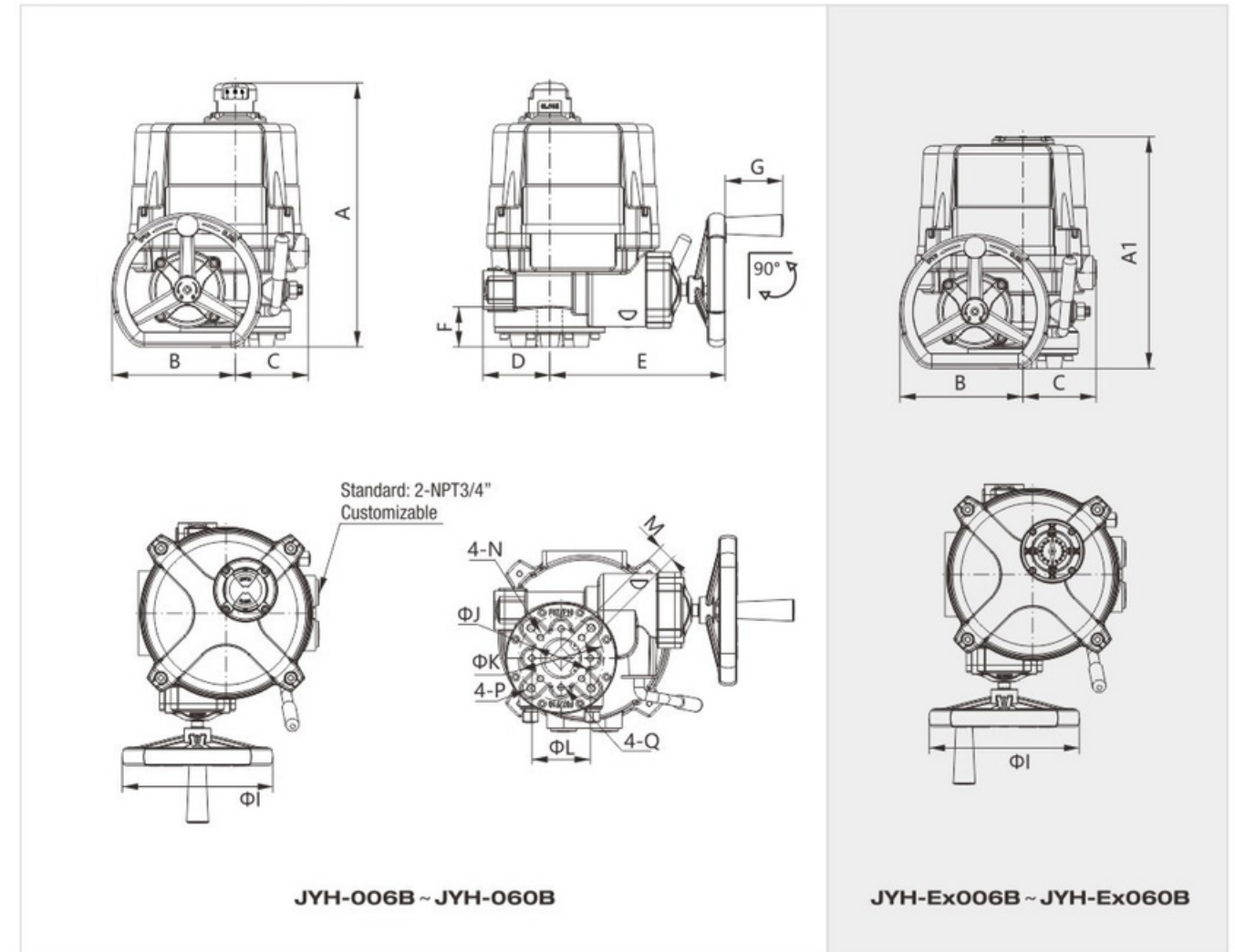
JYH- Ex 010 B / K1 / 27S / AC220V / F05-F07 / 11 / B



11. Overall dimensions

Basic type **JYH-006B~JYH-060B**

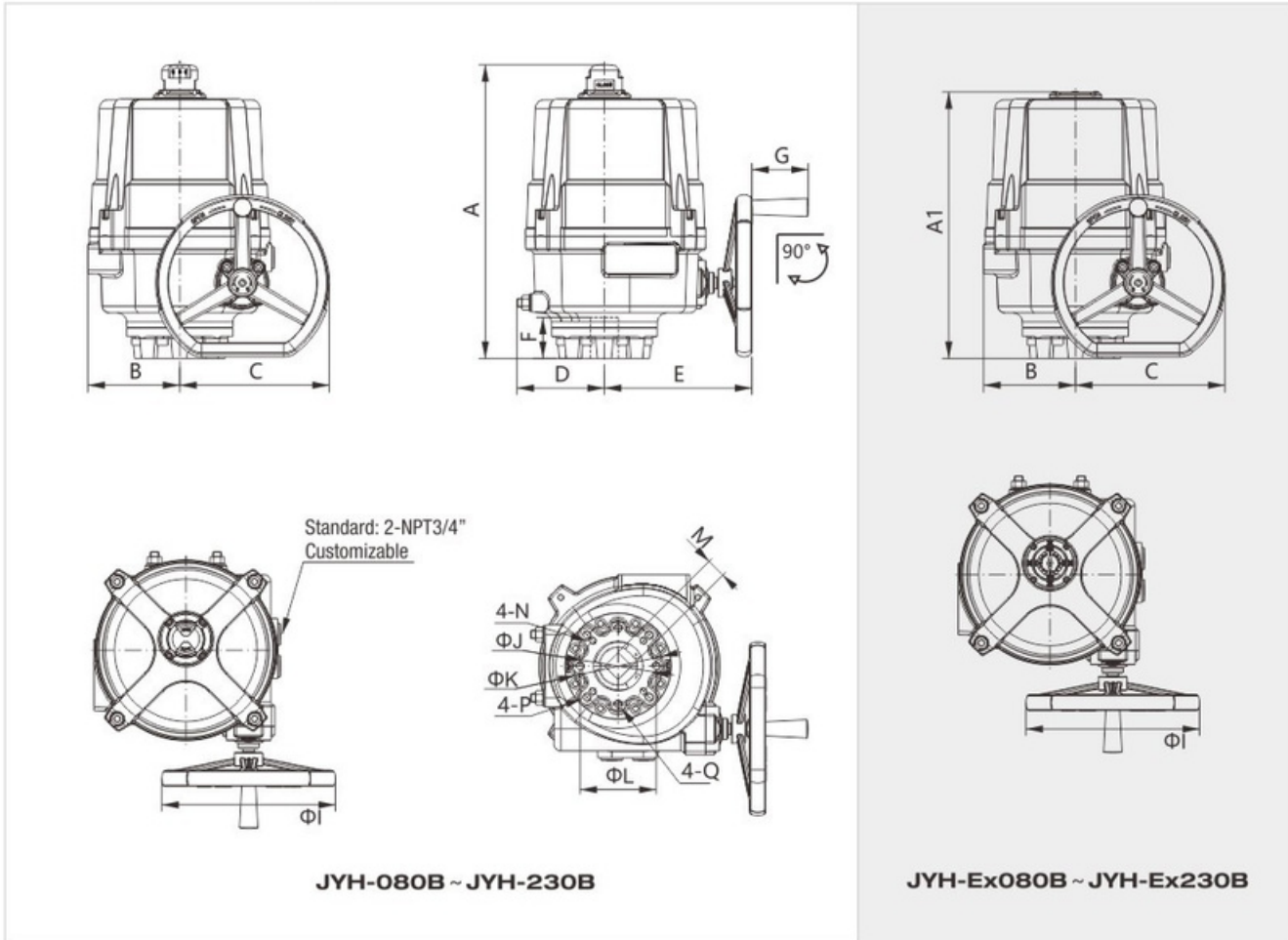
Explosive-proof basic type **JYH-Ex006B~JYH-Ex060B**



Model No.	A	B	C	D	E	F	G	ΦI	ΦJ	4-N	ΦK	4-P	ΦL	4-Q	M	A1
JYH-006	280	92	77	47	171	40	50	100	50	4-M6	70	4-M8	57.15	4-M6	9/11/14/17	240
JYH-010	280	92	77	47	171	40	50	100	50	4-M6	70	4-M8	57.15	4-M6	9/11/14/17	240
JYH-016	316	147	90	78	208	48	63	180	70	4-M8	102	4-M10	69.85	4-M8	11/14/17/22	276
JYH-020	316	147	90	78	208	48	63	180	70	4-M8	102	4-M10	69.85	4-M8	11/14/17/22	276
JYH-030	341	152	98	81	218	52	63	180	102	4-M10	125	4-M12	88.9	4-M12	14/17/22	301
JYH-050	341	152	98	81	218	52	63	180	102	4-M10	125	4-M12	88.9	4-M12	14/17/22	301
JYH-060	341	152	98	81	218	52	63	180	102	4-M10	125	4-M12	88.9	4-M12	14/17/22	301

11. Overall dimensions

Basic type **JYH-080B~JYH-230B**
Explosive-proof basic type **JYH-Ex080B~JYH-Ex230B**



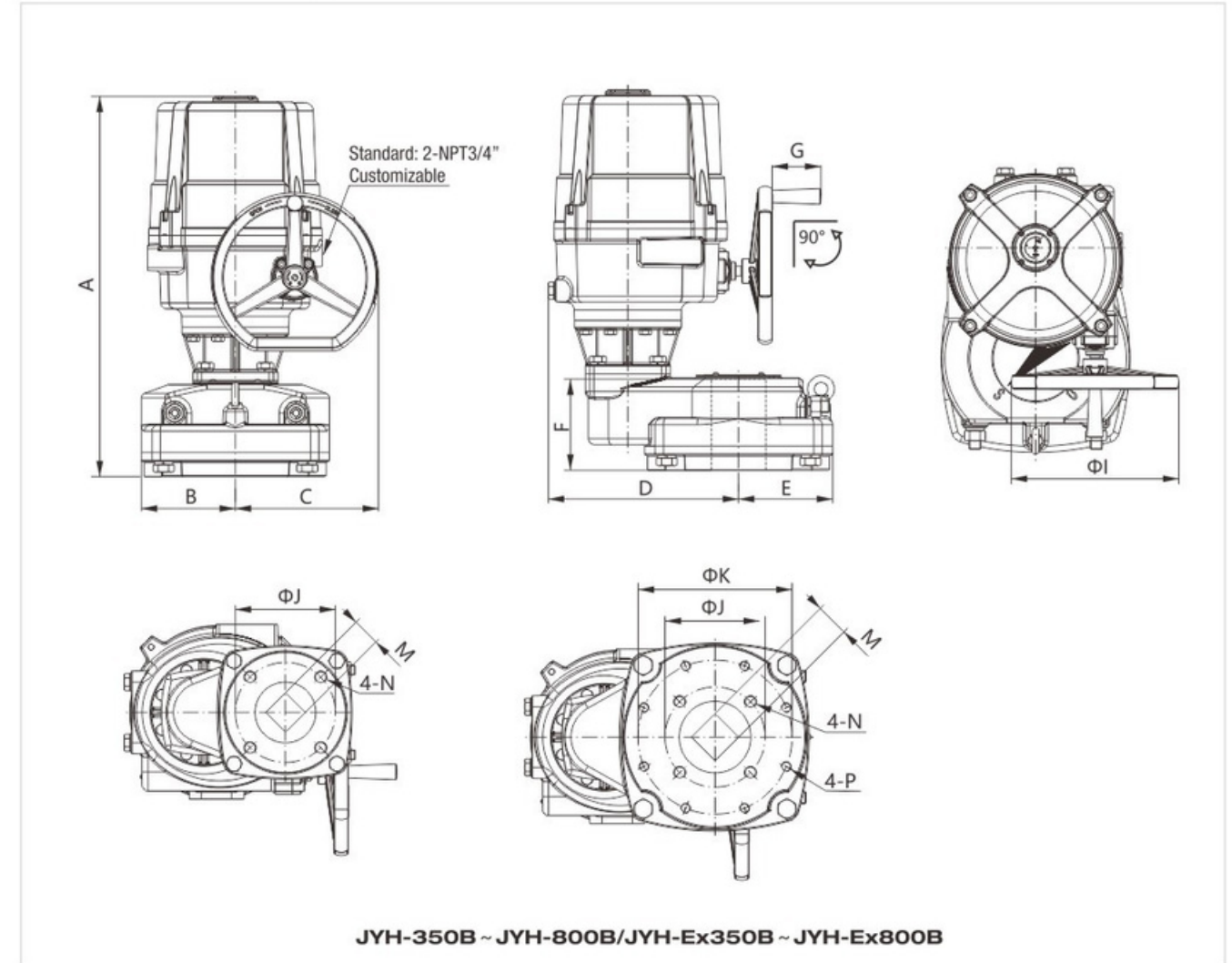
JYH-080B ~ JYH-230B

JYH-Ex080B ~ JYH-Ex230B

Model No.	A	B	C	D	E	F	G	ΦI	ΦJ	4-N	ΦK	4-P	ΦL	4-Q	4-Q	M	A1
JYH-080	415	130	212	128	208	58	80	250	102	4-M10	125	4-M12	107.95	4-M12	F14 Ex-factory optional	17/22/27	375
JYH-100	415	130	212	128	208	58	80	250	102	4-M10	125	4-M12	107.95	4-M12		17/22/27	375
JYH-130	415	130	212	128	208	58	80	250	102	4-M10	125	4-M12	107.95	4-M12		17/22/27	375
JYH-170	458	145	236	146	236	66	80	280	F12(Φ125/4-M12)			Ex-factory optional		22/27/36	418		
JYH-200	458	145	236	146	236	66	80	280	F14(Φ140/4-M16)				22/27/36	418			
JYH-230	458	145	236	146	236	66	80	280	F16(Φ165/4-M20)				22/27/36	418			

11. Overall dimensions

Basic type **JYH-350B~JYH-800B**
Explosive-proof basic type **JYH-Ex350B~JYH-Ex800B**

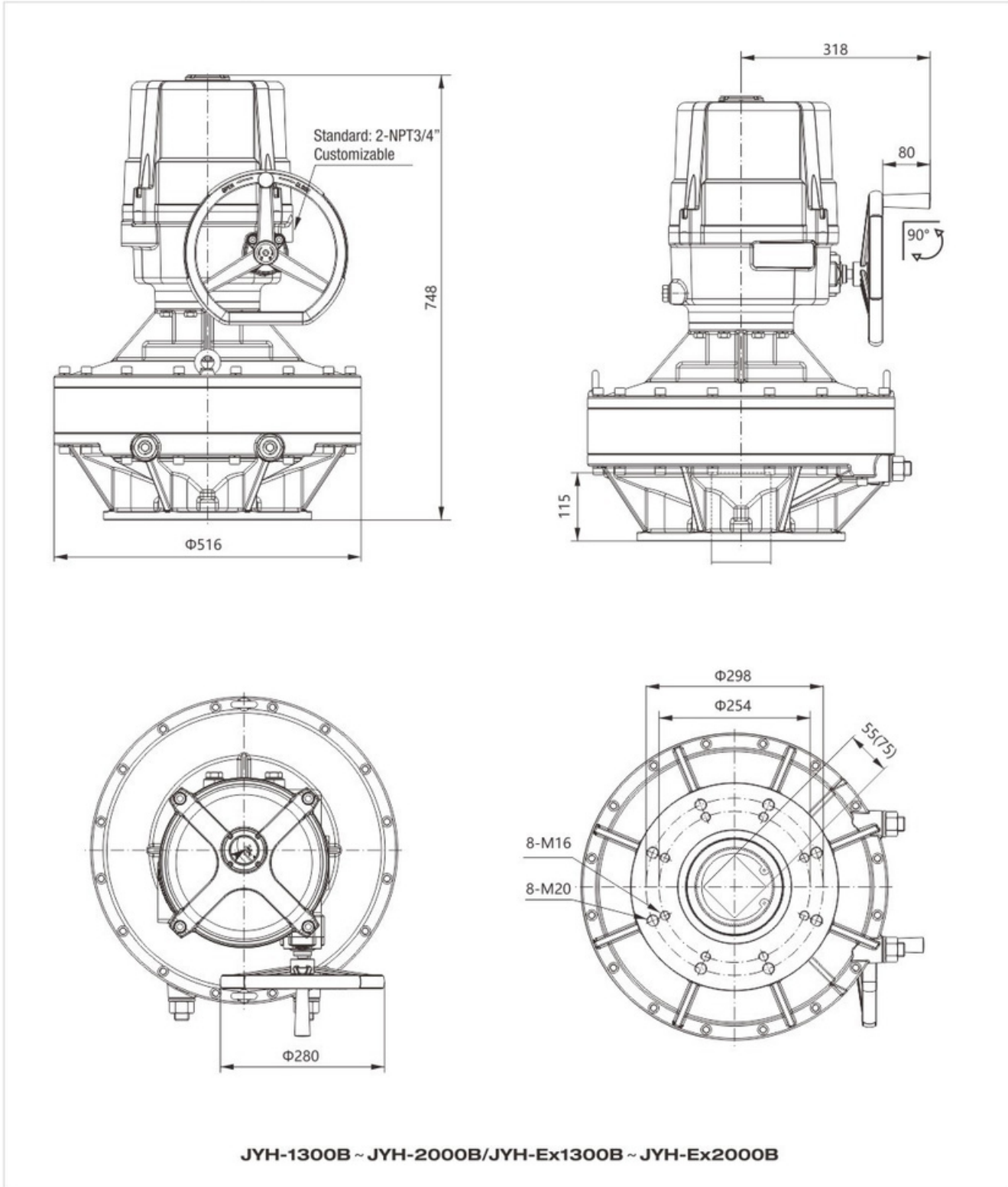


JYH-350B ~ JYH-800B/JYH-Ex350B ~ JYH-Ex800B

Model No.	A	B	C	D	E	F	G	ΦI	ΦJ	4-N	ΦK	4-P	M
JYH-350	620	145	236	267	110	145	80	280	160	4-M20	F14 Ex-factory optional		36/46
JYH-500	620	145	236	267	110	145	80	280	160	4-M20		36/46	
JYH-800	627	155	236	315	155	150	80	280	160	4-M20	254	8-M16	46/55

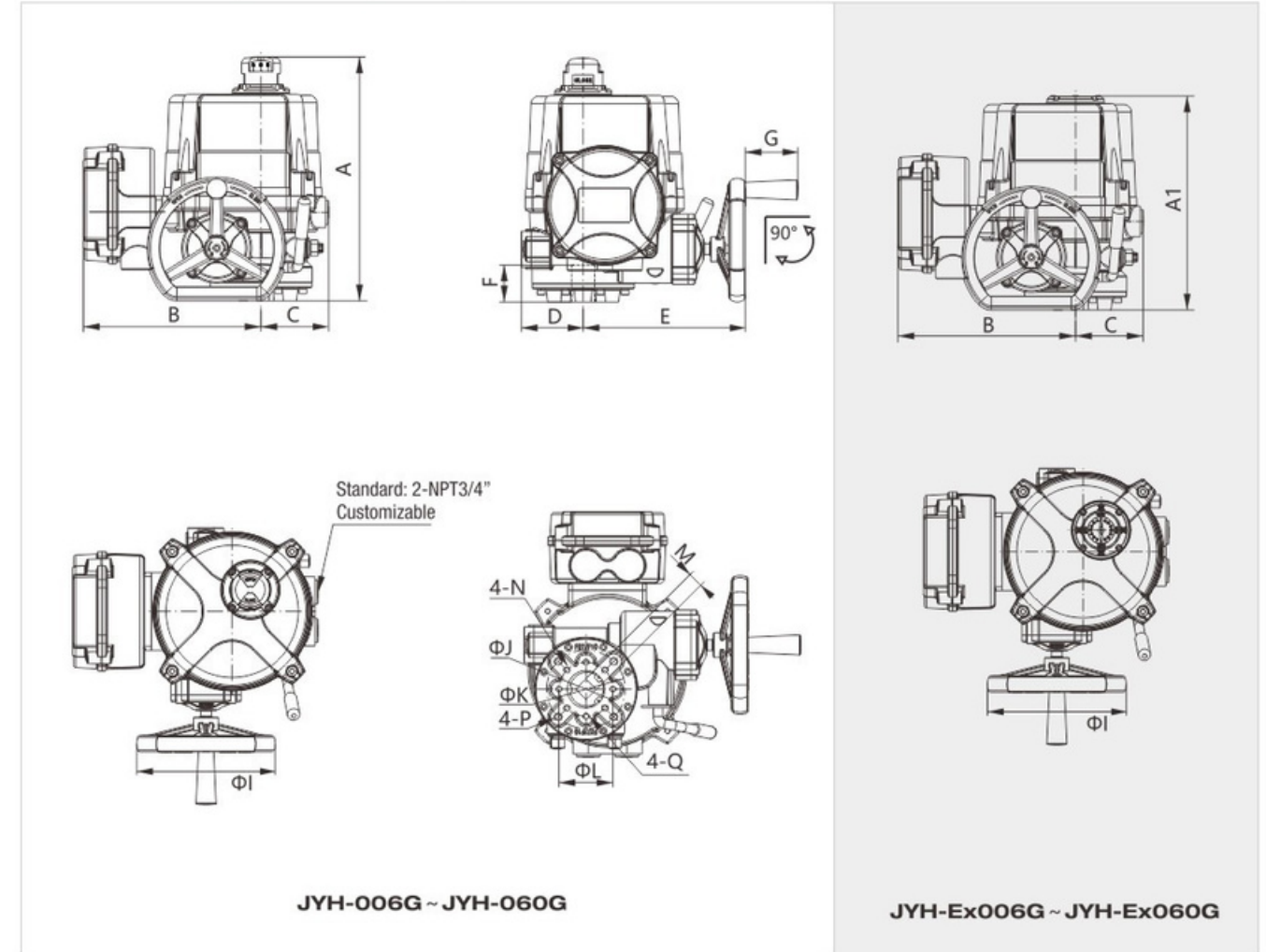
11. Overall dimensions

Basic type **JYH-1300B~JYH-2000B**
Explosive-proof basic type **JYH-Ex1300B~JYH-Ex2000B**



11. Overall dimensions

General regulating type **JYH-006G~JYH-060G**
Explosive-proof general regulating type **JYH-Ex006G~JYH-Ex060G**

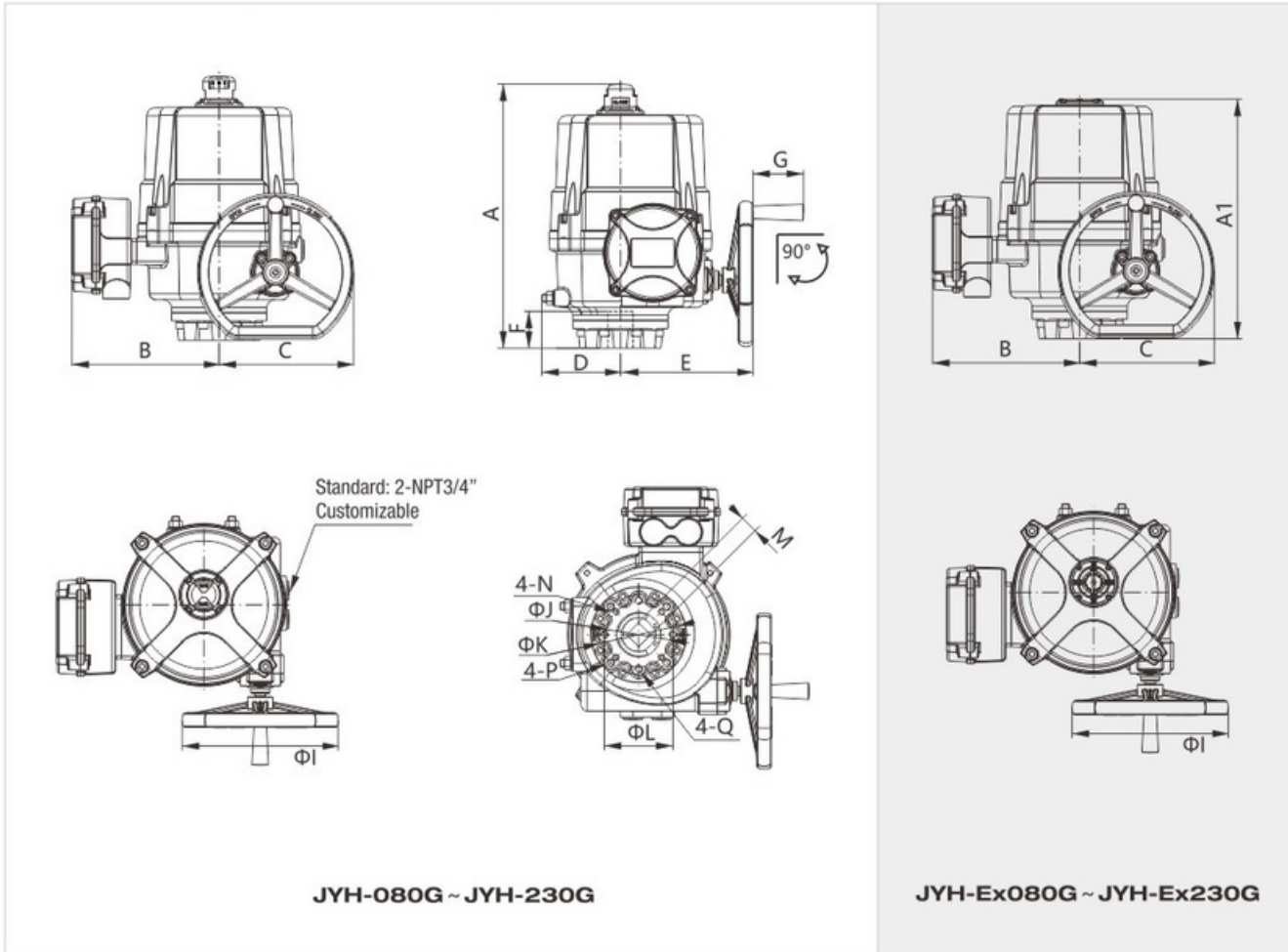


Model No.	A	B	C	D	E	F	G	ΦI	ΦJ	4-N	ΦK	4-P	ΦL	4-Q	M	A1
JYH-006	280	189	77	47	171	40	50	100	50	4-M6	70	4-M8	57.15	4-M6	9/11/14/17	240
JYH-010	280	189	77	47	171	40	50	100	50	4-M6	70	4-M8	57.15	4-M6	9/11/14/17	240
JYH-016	316	225	90	78	208	48	63	180	70	4-M8	102	4-M10	69.85	4-M8	11/14/17/22	276
JYH-020	316	225	90	78	208	48	63	180	70	4-M8	102	4-M10	69.85	4-M8	11/14/17/22	276
JYH-030	341	235	98	81	218	52	63	180	102	4-M10	125	4-M12	88.9	4-M12	14/17/22	301
JYH-050	341	235	98	81	218	52	63	180	102	4-M10	125	4-M12	88.9	4-M12	14/17/22	301
JYH-060	341	235	98	81	218	52	63	180	102	4-M10	125	4-M12	88.9	4-M12	14/17/22	301

Note: Basic type switch type with external terminal box is also optional

11. Overall dimensions

General regulating type **JYH-080G~JYH-230G**
Explosive-proof general regulating type **JYH-Ex080G~JYH-Ex230G**



JYH-080G ~ JYH-230G

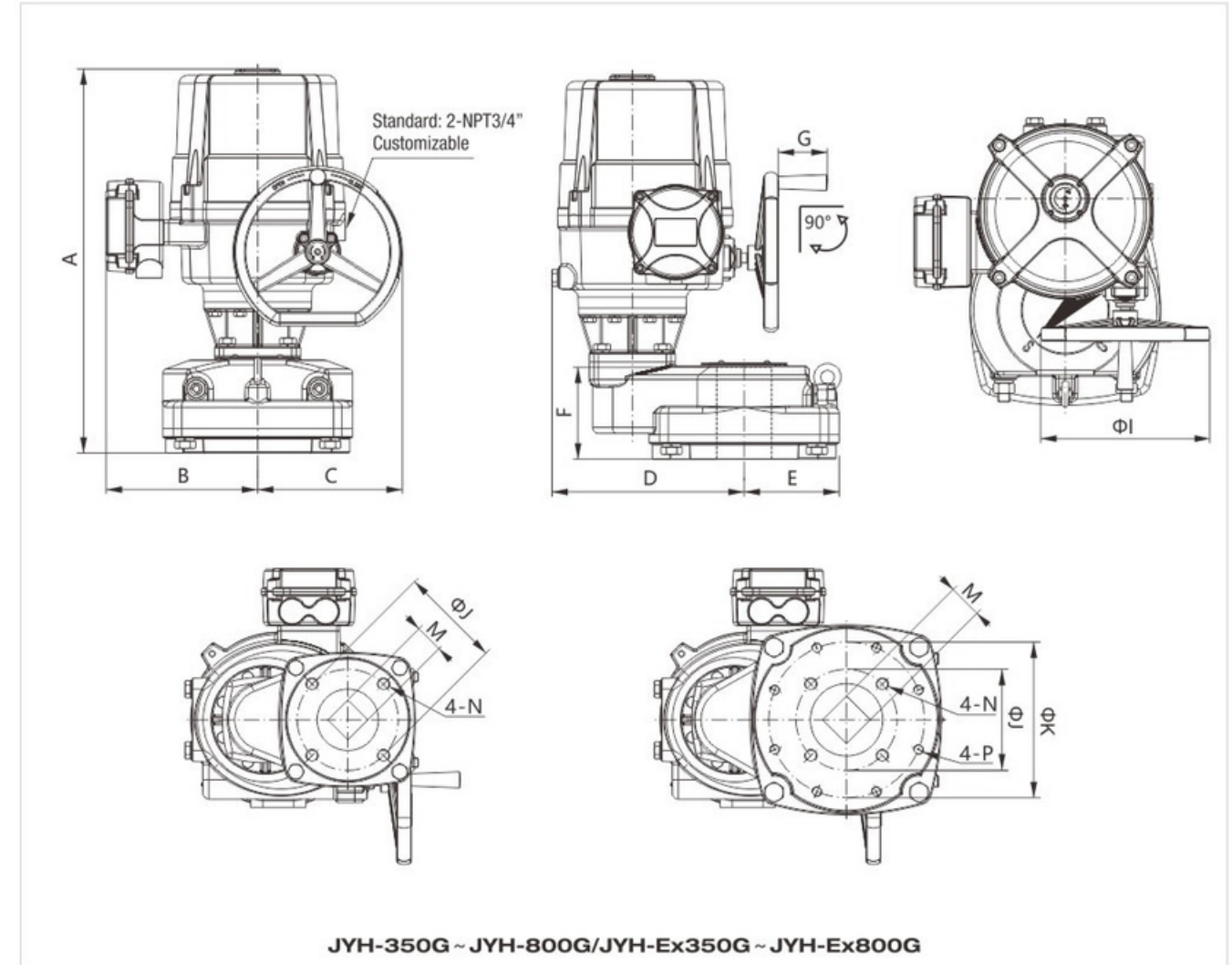
JYH-Ex080G ~ JYH-Ex230G

Model No.	A	B	C	D	E	F	G	ΦI	ΦJ	4-N	ΦK	4-P	ΦL	4-Q	4-Q	M	A1
JYH-080	415	227	212	128	208	58	80	250	102	4-M10	125	4-M12	107.95	4-M12	F14 Ex-factory optional	17/22/27	375
JYH-100	415	227	212	128	208	58	80	250	102	4-M10	125	4-M12	107.95	4-M12		17/22/27	375
JYH-130	415	227	212	128	208	58	80	250	102	4-M10	125	4-M12	107.95	4-M12		17/22/27	375
JYH-170	458	242	236	146	236	66	80	280	F12(Φ125/4-M12) F14(Φ140/4-M16) F16(Φ165/4-M20) Ex-factory optional							22/27/36	418
JYH-200	458	242	236	146	236	66	80	280								22/27/36	418
JYH-230	458	242	236	146	236	66	80	280								22/27/36	418

Note: Basic type switch type with external terminal box is also optional

11. Overall dimensions

General regulating type **JYH-350G~JYH-800G**
Explosive-proof general regulating type **JYH-Ex350G~JYH-Ex800G**



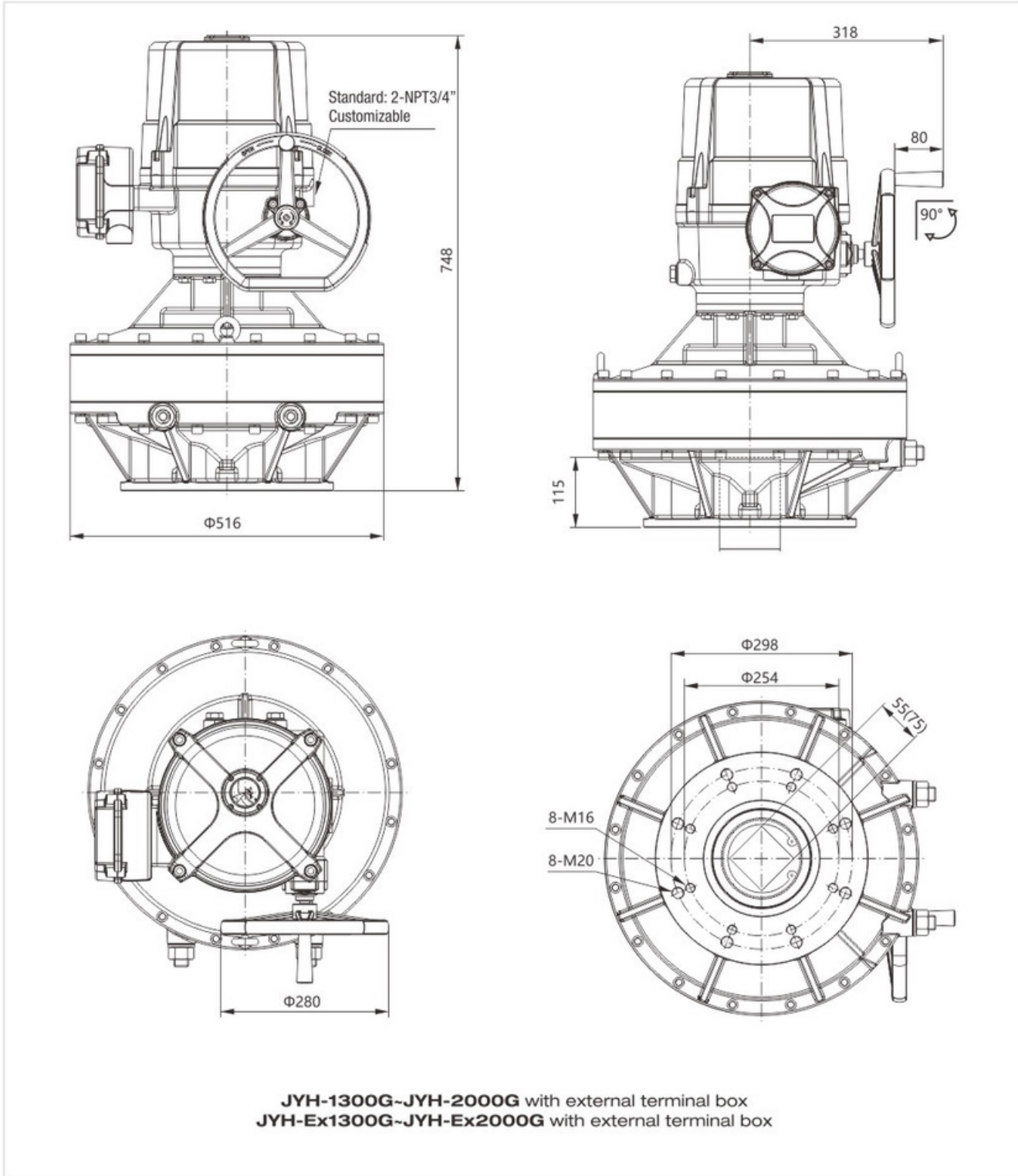
JYH-350G ~ JYH-800G/JYH-Ex350G ~ JYH-Ex800G

Model No.	A	B	C	D	E	F	G	ΦI	ΦJ	4-N	ΦK	4-P	M
JYH-350	620	242	236	267	110	145	80	280	160	4-M20	F14 Ex-factory optional		36/46
JYH-500	620	242	236	267	110	145	80	280	160	4-M20	F14 Ex-factory optional		36/46
JYH-800	627	242	236	315	155	150	80	280	160	4-M20	254	8-M16	46/55

Note: Basic type switch type with external terminal box is also optional

11. Overall dimensions

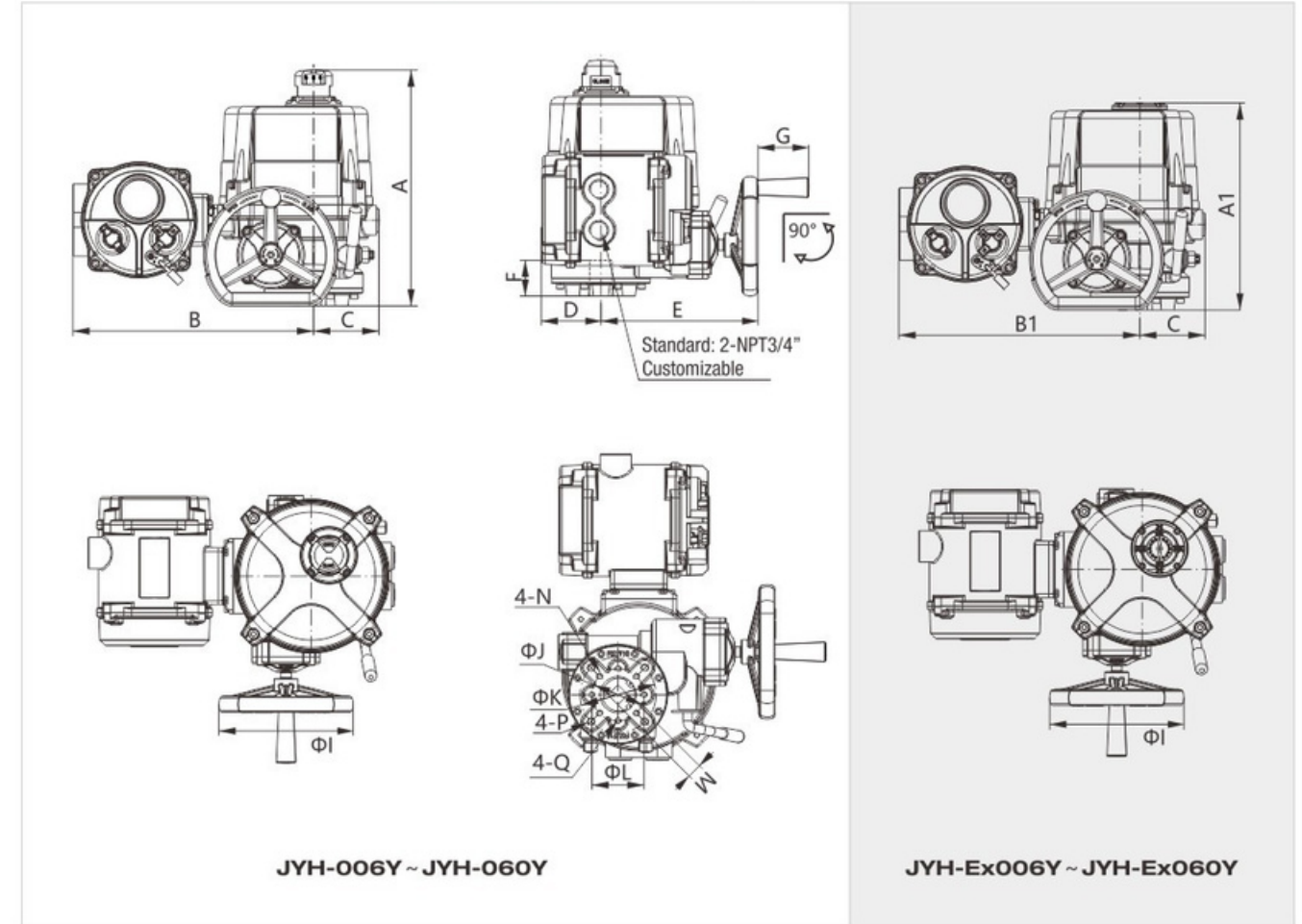
Basic type **JYH-1300G~JYH-2000G** with external terminal box
Explosive-proof basic type **JYH-Ex1300G~JYH-Ex2000G** with external terminal box



Note: Basic type switch type with external terminal box is also optional

11. Overall dimensions

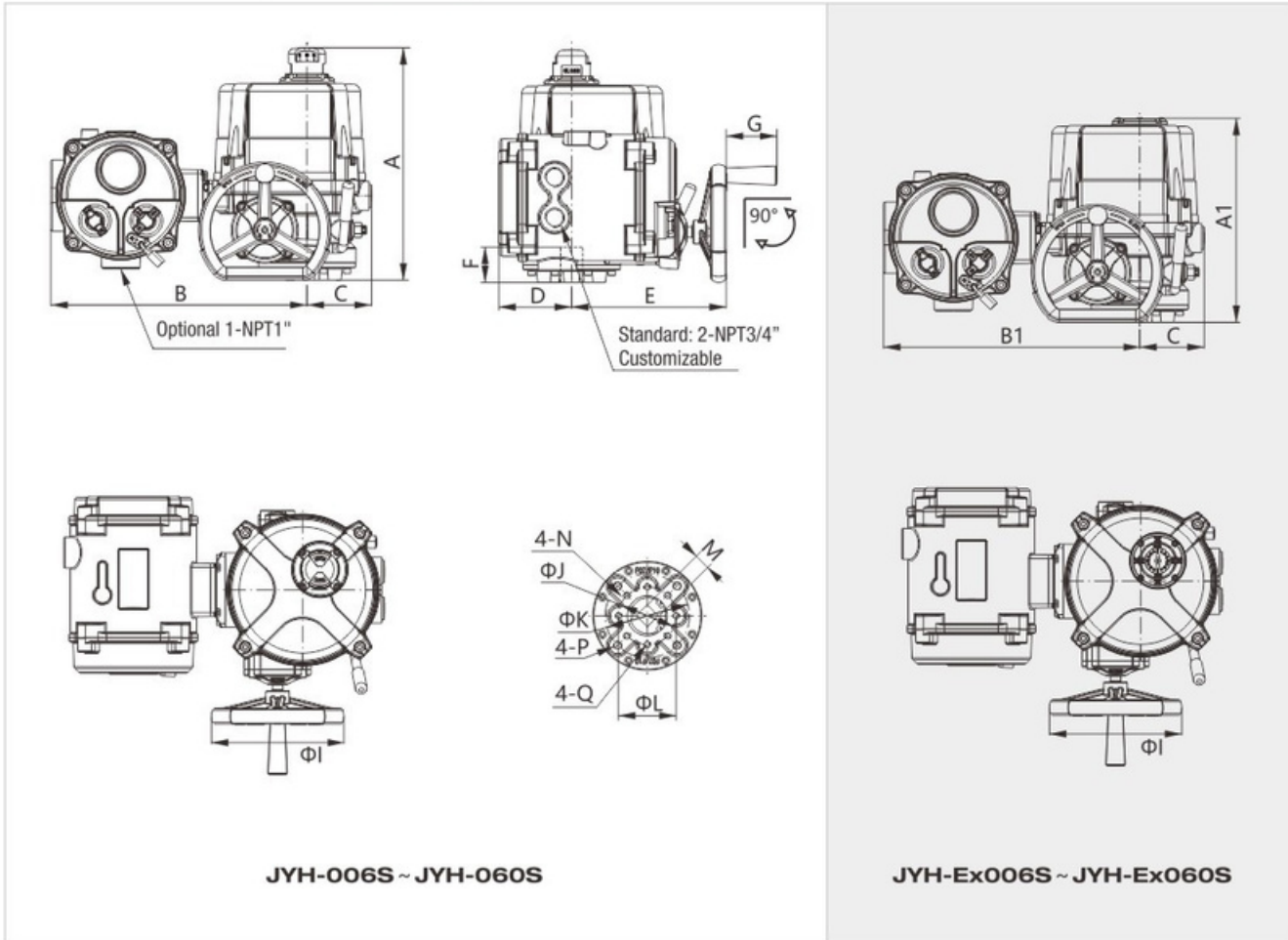
Non-penetrating intelligent all-in-one type **JYH-006Y~JYH-060Y**
Explosive-proof non-penetrating intelligent all-in-one type **JYH-Ex006Y~JYH-Ex060Y**



Model No.	A	B	C	D	E	F	G	ΦI	ΦJ	4-N	ΦK	4-P	ΦL	4-Q	M	A1	B1
JYH-006	280	279	77	73	171	40	50	100	50	4-M6	70	4-M8	57.15	4-M6	9/11/14/17	240	292
JYH-010	280	279	77	73	171	40	50	100	50	4-M6	70	4-M8	57.15	4-M6	9/11/14/17	240	292
JYH-016	316	315	90	78	208	48	63	180	70	4-M8	102	4-M10	69.85	4-M8	11/14/17/22	276	328
JYH-020	316	315	90	78	208	48	63	180	70	4-M8	102	4-M10	69.85	4-M8	11/14/17/22	276	328
JYH-030	341	325	98	81	218	52	63	180	102	4-M10	125	4-M12	88.9	4-M12	14/17/22	301	338
JYH-050	341	325	98	81	218	52	63	180	102	4-M10	125	4-M12	88.9	4-M12	14/17/22	301	338
JYH-060	341	325	98	81	218	52	63	180	102	4-M10	125	4-M12	88.9	4-M12	14/17/22	301	338

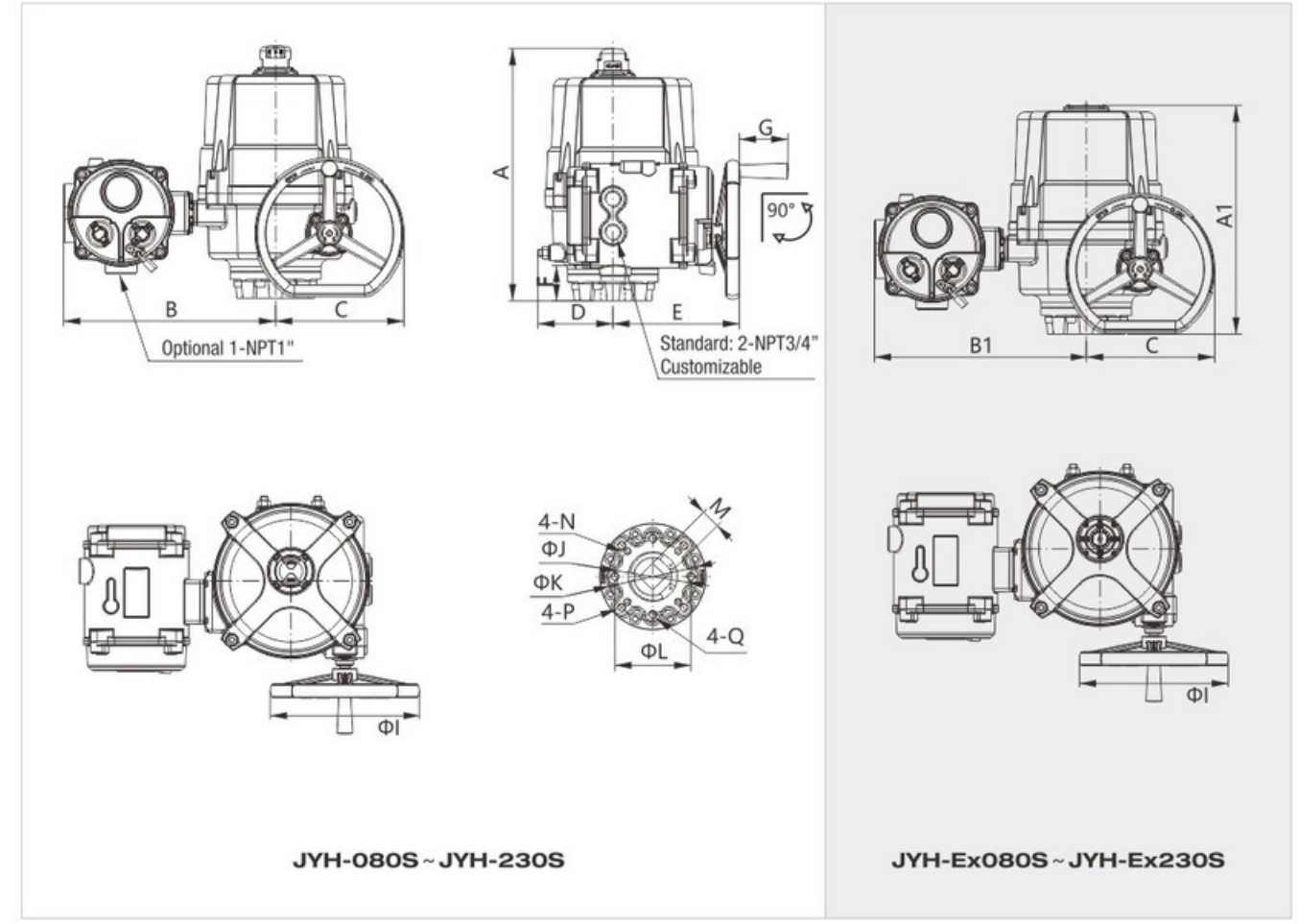
11. Overall dimensions

Super intelligent type **JYH-006S~JYH-060S**
Explosive-proof super intelligent type **JYH-Ex006S~JYH-Ex060S**



11. Overall dimensions

Super intelligent type **JYH-080S~JYH-230S**
Explosive-proof super intelligent type **JYH-Ex080S~JYH-Ex230S**

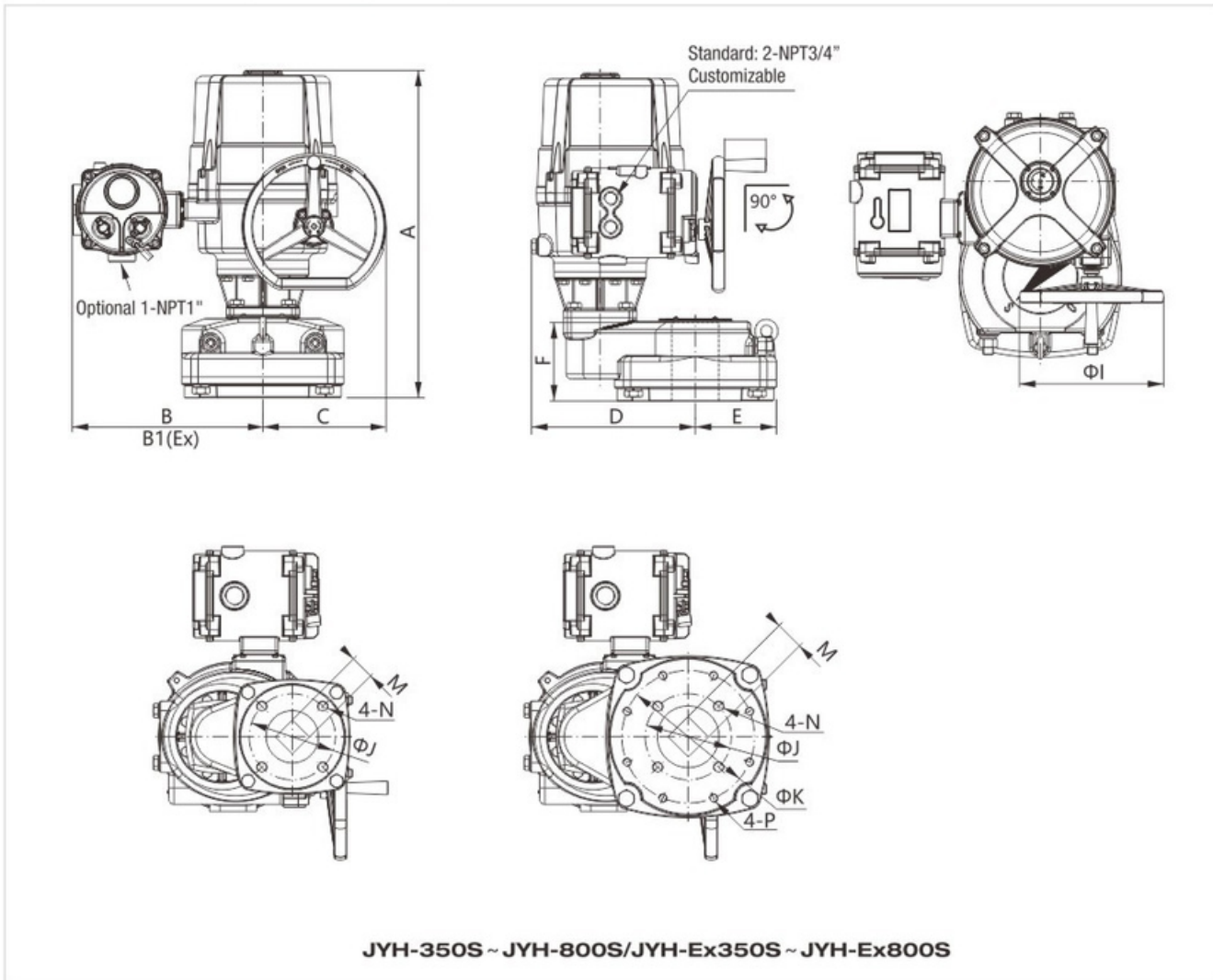


Model No.	A	B	C	D	E	F	G	ΦI	ΦJ	4-N	ΦK	4-P	ΦL	4-Q	M	A1	B1
JYH-006	280	300	77	95	171	40	50	100	50	4-M6	70	4-M8	57.15	4-M6	9/11/14/17	240	312
JYH-010	280	300	77	95	171	40	50	100	50	4-M6	70	4-M8	57.15	4-M6	9/11/14/17	240	312
JYH-016	316	336	90	99	208	48	63	180	70	4-M8	102	4-M10	69.85	4-M8	11/14/17/22	276	348
JYH-020	316	336	90	99	208	48	63	180	70	4-M8	102	4-M10	69.85	4-M8	11/14/17/22	276	348
JYH-030	341	346	98	93	218	52	63	180	102	4-M10	125	4-M12	88.9	4-M12	14/17/22	301	358
JYH-050	341	346	98	93	218	52	63	180	102	4-M10	125	4-M12	88.9	4-M12	14/17/22	301	358
JYH-060	341	346	98	93	218	52	63	180	102	4-M10	125	4-M12	88.9	4-M12	14/17/22	301	358

Model No.	A	B	C	D	E	F	G	ΦI	ΦJ	4-N	ΦK	4-P	ΦL	4-Q	4-Q	M	A1	B1
JYH-080	415	338	212	128	208	58	80	250	102	4-M10	125	4-M12	107.95	4-M12	F14 Ex-factory optional	17/22/27	375	350
JYH-100	415	338	212	128	208	58	80	250	102	4-M10	125	4-M12	107.95	4-M12		17/22/27	375	350
JYH-130	415	338	212	128	208	58	80	250	102	4-M10	125	4-M12	107.95	4-M12		17/22/27	375	350
JYH-170	458	353	236	146	236	66	80	280	F12(Φ125/4-M12)			Ex-factory optional		22/27/36	418	365		
JYH-200	458	353	236	146	236	66	80	280	F14(Φ140/4-M16)				22/27/36	418	365			
JYH-230	458	353	236	146	236	66	80	280	F16(Φ165/4-M20)				22/27/36	418	365			

11. Overall dimensions

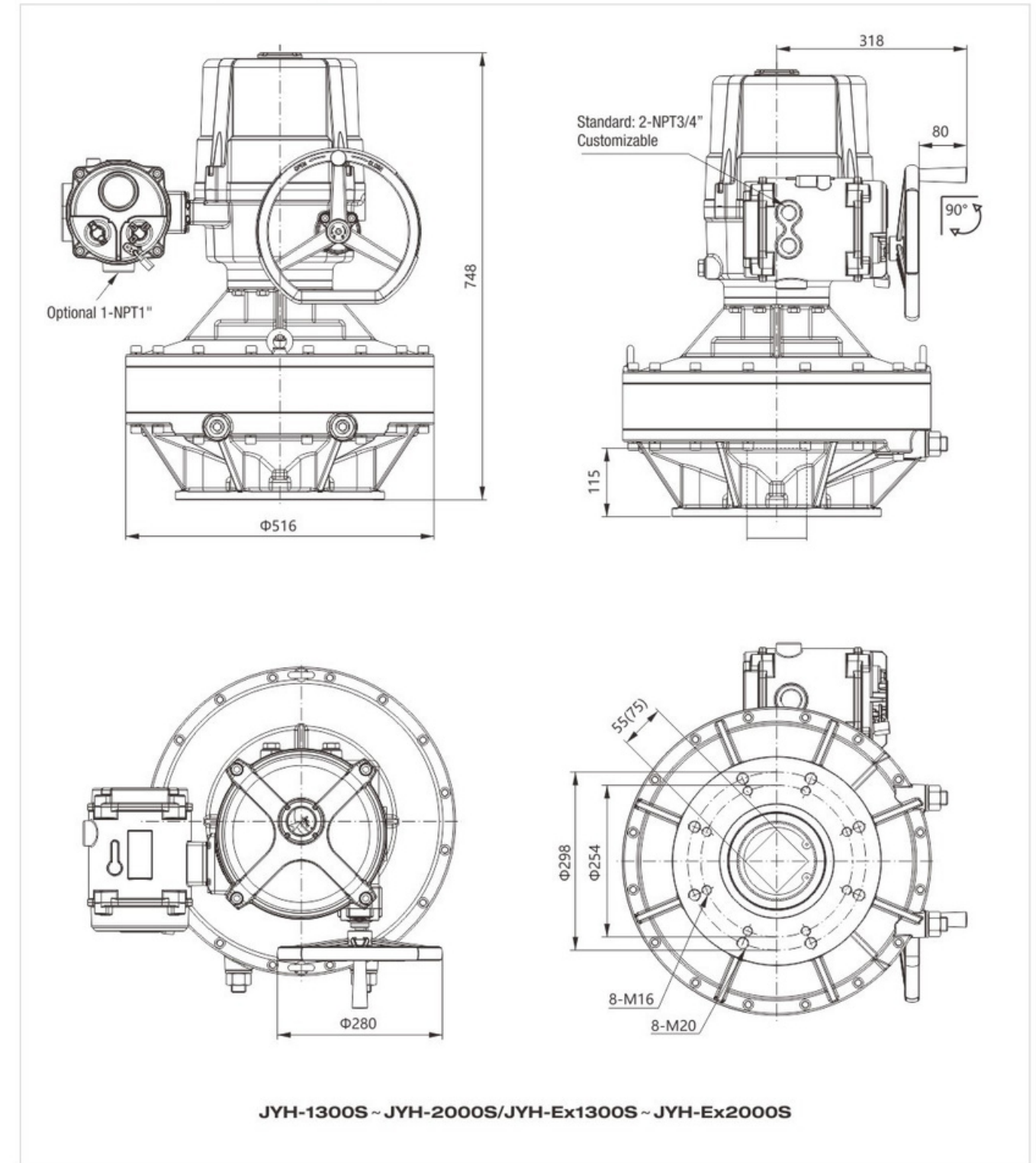
Super intelligent type **JYH-350S~JYH-800S**
Explosive-proof super intelligent type **JYH-Ex350S~JYH-Ex800S**



Model No.	A	B	C	D	E	F	G	ΦI	ΦJ	4-N	ΦK	4-P	M	B1 (Ex)
JYH-350	620	353	236	267	110	145	80	280	160	4-M20	F14 Ex-factory optional		36/46	365
JYH-500	620	353	236	267	110	145	80	280	160	4-M20			36/46	365
JYH-800	627	353	236	315	155	150	80	280	160	4-M20	254	8-M16	46/55	365

11. Overall dimensions

Super intelligent type **JYH-1300S~JYH-2000S**
Explosive-proof super intelligent type **JYH-Ex1300S~JYH-Ex2000S**





www.alfacom.co.il
+972-4-8490060
info@alfacom.co.il

