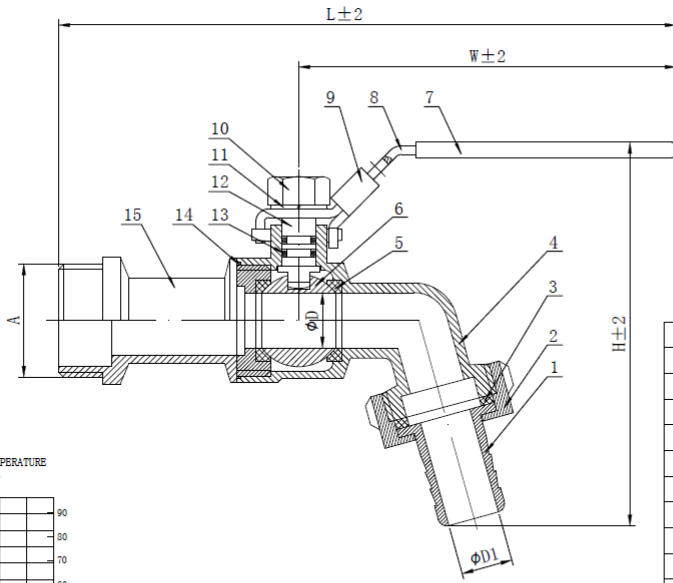
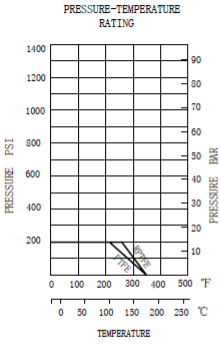


Hose Tap Light



Features:

1. Temperature Range: -20 to 180 °C
2. Reduce Port
3. Investment Casting
4. Blow-out Proof Stem
5. Locking Device Handle (Option)
6. PED 2014/68/EU
7. Casting Approved AD2000-W0
8. Thread: DIN2999/259, ISO228-1, ISO7/1, NPT
9. Inspection Testing: API598, EN12266-1



1"	1"	15	22.5	185	120	122
3/4"	3/4"	12.5	12	156.5	87	94
1/2"	1/2"	9.2	9.2	147	87	94
SIZE ITEM	A	D	D1	L	H	W

15	CAP	CFS/CF8M	1
14	END SEAL	PTFE	1
13	O-RING	NBR	2
12	STEM	304/316	1
11	SPRING WASHER	304	1
10	STEM NUT	304	1
9	LOCK DEVICE	304	1
8	HANDLE	304	1
7	HANDLE COVER	PLASTIC	1
6	BALL	304/316	1
5	BALL SEAT	PTFE/RPTFE	2
4	BODY	CFS/CF8M	1
3	SEAL	NBR/FKM	1
2	NUT	CFS/CF8M	1
1	HOSE	CFS/CF8M	1
NO.	NAME	MATERIAL	Q' TY

